

DACIA
GOOD THINKING

DACIA DUSTER COMMERCIAL



3rd April 2024

DACIA DUSTER COMMERCIAL

Offering extra practicality and loading space to our multi award winning Duster, the Duster Commercial is ready to go wherever you want to. With its dominant front grille, ready-for-anything roof bars and new 16-inch wheels, this Van takes on any terrain. The added side protection, skid plates and front lighting signature will leave a lasting impression. On top of this it offers: a fitted wooden floor, load compartment cover, alarm, rubber mats, opaque film over the fixed rear windows as standard. It's got everything you need with its payload of up to 355kg (depending on model), utilising its roomy load area and all the tax advantages of a Light Commercial Vehicle. It's rugged, robust and ready for business.

We've built our range simply with just one trim level, paired with Dacia's proven powertrains. Chose from either the TCe150 petrol engine with Dacia's EDC automatic transmission, or Blue dCi115 diesel engine with a 6-speed manual gearbox.

Whatever your needs, there is a Duster Commercial to suit.

Whatever your trade: florist, plumber, farmer, the New Duster Commercial has it covered. Prices start from a shockingly affordable £17,845 (ex. VAT)*.



Image shown for illustration purposes only.

DESIGNED FOR YOU AND YOUR BUSINESS



We've added loads of new safety features to the Dacia Duster Commercial.

The Duster Commercial offers:

- Seat frames and large front head rests for improved protection.
- Seat Belt Reminder (SBR) with dashboard display and a warning sound if a seat belt is unfastened.
- Bumper damper and bonnet design for improved energy absorption in case of impact.
- Large door mirrors for better driver visibility.

All versions come with ABS and ESC (Electronic Stability Control) amongst a host of standard safety features.

The Duster Commercial isn't just easy on the eye. It helps to keep you safe and sound behind the wheel, too.

Speed limiter/ Cruise control

Now you can drive under a pre-set speed without having to check your speedometer. Happy days.

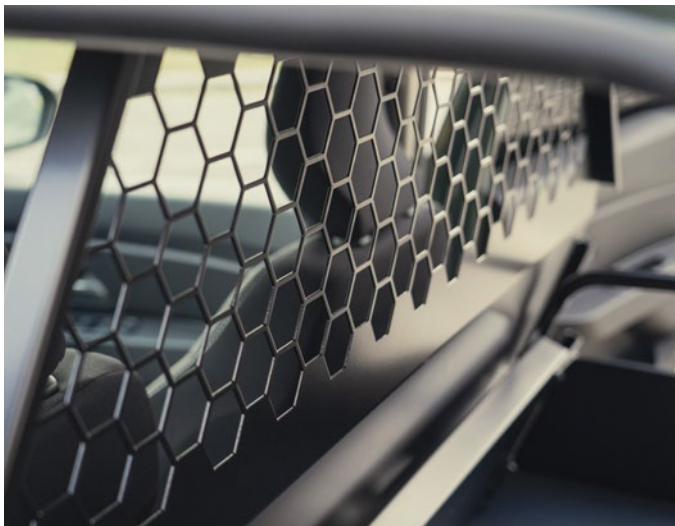
Automatic Headlight Activation

The Dacia Duster Commercial offers automatic headlight activation which helps provide a more relaxed safer drive. Bet that's brightened your day...

LOADING VOLUME AND DIMENSIONS

Meet the perfect companion for any journey. Whether your week is all about work, some surfing fun, or even some intense shopping, the Dacia Duster Commercial's boot compartment can carry everything you need. This boot's loading capacity gives you up to 1623 litres of storage, take what you want, where you want.

LOADING VOLUME & DIMENSIONS	4x2
Length (mm)	1792
Maximum width (mm)	1247
Minimum width (mm)	977
Height under load-compartment cover (mm)	468
Height under the roof (mm)	917
Useful volume under load-compartment cover (m ³)	0,82
Useful volume under the roof (m ³)	1,62



THE HEIGHT OF COMFORT

The Dacia Duster Commercial impresses inside and out. The electrical power-assisted steering offers a smooth driving experience, while the rearview camera makes for perfect parking.

Get connected with the 8" Media Display with smartphone replication and 2 USB sockets. Mirror your smartphone apps onto the screen through Apple CarPlay™ or Android Auto®*. Now that's good thinking.

When it comes to super comfortable seating, our designers really know what they're doing. Sink into plush seats with enhanced lateral support, armrest, dense foam, long cushions and a height-adjustment system* that'll make every drive a joy.



*Compatibility: An iPhone no earlier than iPhone 5 & iOS 7.1, an Android 5.0 (Lollipop). Connecting a smartphone to access Apple Carplay™ or Android Auto® should only be done when the car is safely parked. Drivers should only use the system when it is safe to do so and in compliance with the requirements of The Highway Code. Drivers should be aware of the potential of hands-free technology to distract a driver's attention from the road, preventing them from having full control of the vehicle.

EXPRESSION



MAIN ESSENTIAL EQUIPMENT

EXTERIOR APPEARANCE

- 16" Alloy Wheels
- Body coloured door handles
- Silver door mirrors
- Black roof bars with "Duster" inscription
- Body-coloured front and rear bumpers
- New grille with white inserts
- DACIA Y-shaped LED signature lights

INTERIOR APPEARANCE

- Expression upholstery
- Soft feel steering wheel with Steel grey trim
- Steel grey door handles
- Map pockets on front seatbacks
- Steel grey console surround
- Backlighting steering wheel
- Steel grey air vent surrounds

DRIVING AND CONTROLS

- Electric power-assisted steering with variable assistance
- Cruise Control and Speed limiter
- Eco mode, Stop & Start and gear change indicator

VISIBILITY

- Heated and electrically adjustable door mirrors
- Front fog lights
- Automatic headlights with dusk sensor

COMFORT

- One-touch driver side window
- Central console with sliding armrest and storage (1.1L)
- Driver seat lumbar adjustment
- Drivers seat height adjustment
- Manual air conditioning
- Electric front windows
- Remote central locking
- Height & depth adjustable steering wheel
- 12V front socket

AUDIO

- 8" Media Display smartphone replication (2 USB Sockets, compatible with Apple CarPlay[™] and Android Auto[™] + 6 speakers)

ACTIVE AND PASSIVE SAFETY

- ABS (anti-lock braking) and EBA (Emergency Brake Assist)
- ESC and Hill start assist
- Driver's front airbag/deactivate front side passenger airbag
- Chest side and head curtain airbags in the front
- ASR (Traction control) with ESC (Electronic Stability Control)
- Door open- visual and audible warning
- Tyre inflation kit
- Tyre pressure monitor
- Rear view camera
- Rear parking sensor
- 80 kmh / 112 mph Speed Limiter

OPTIONS

- Emergency spare wheel
- Metallic paint

DACIA DUSTER COMMERCIAL
COLOURS



ARIZONA ORANGE⁽¹⁾



GLACIER WHITE⁽³⁾



DUSTY KHAKI⁽²⁾



SLATE GREY⁽¹⁾



PEARL BLACK⁽¹⁾



URBAN GREY⁽²⁾

COLOUR AVAILABILITY

SOLID PAINT		Expression			
369	Glacier White				○
METALLIC PAINT		Expression			
EPY	Arizona Orange				○
676	Pearl Black				○
KNA	Slate Grey		○		
SPECIAL PAINT (PRICED AS METALLIC)		Expression			
KPW	Urban Grey				○
KQM	Dusty Khaki				○

● = Standard
 ○ = Optional
 - = Not available

(1) Metallic paint.
 (2) Opaque paint.
 (3) Solid paint

For illustrative purposes only.

MEET THE BOSS UNDER THE BONNET

All our engines are rigorously tested, over 800,000 kilometres of test driving in fact. So you can relax every time you turn the key.

PICK THE ENGINE FOR YOUR LIFESTYLE:

For ultimate fuel efficiency, try the Blue dCi 115 diesel engine which comes paired with a 6-speed manual transmission.

- An impressive 58.9 mpg and CO₂ emissions of only 126 g/km*

Alternatively, if you prefer the easy of automatic transmission, choose the TCe150 petrol engine which is paired with Dacia's EDC automatic gearbox.

- Offering 150hp and 45.6 mpg with CO₂ emissions of only 141 g/km

BLUE DCi ENGINES

Dacia Duster Commercial benefits from the latest Euro 6 D-Full Blue dCi diesel engines which are equipped with a system to reduce polluting Nitrogen Oxide vehicle emissions by injecting AdBlue[®], into the exhaust system. A dashboard message will remind you when the AdBlue[®] needs topping up via specific AdBlue[®] filling cap located next to the usual Diesel fuel filler cap. A full tank of AdBlue[®] will last for 6 full tanks of Diesel.



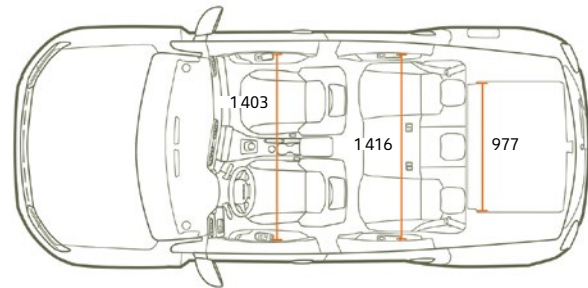
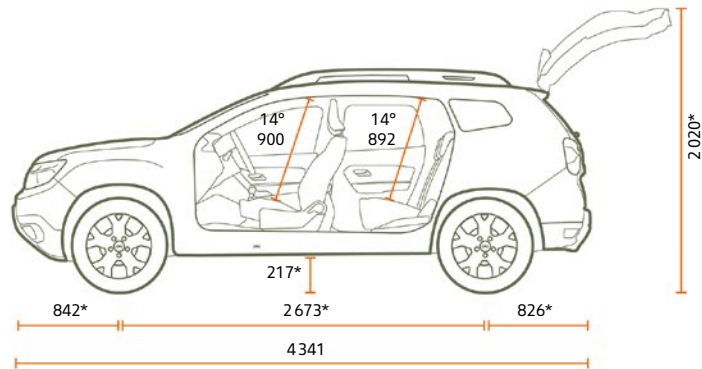
*WLTP figures shown are for comparability purposes. Actual real world driving results may vary depending on factors such as weather conditions, driving styles, vehicle load or any accessories fitted after registration.

† Figures shown are the 4x2 versions

DACIA DUSTER COMMERCIAL

DIMENSIONS

PROFILE VIEW

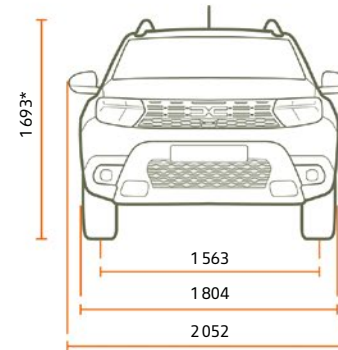


EXTERIOR DIMENSIONS (mm)

4x2 (mm)

A - Wheelbase	2673
B - Overall bodywork length	4341
C - Front overhang	842
D - Rear overhang	826
E - Front track	1563
F - Rear track	1570
G - Overall width without / with door mirrors	1804 / 2052
H - Unladen height / with roof bars	1633 / 1693
K - Ground clearance (unladen)	217
M - Front elbow room	1403
N - Front shoulder width	1383
P1 - Distance between hip joint and ceiling in front seats	900
Y - Interior width between wheel arches	977

FRONT VIEW



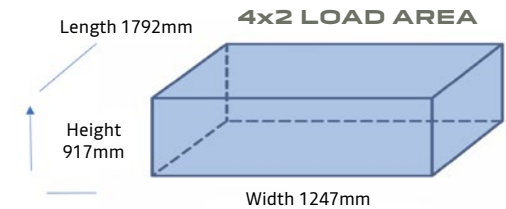
REAR VIEW



LOADING VOLUME & DIMENSIONS

4x2 (mm)

A - Length (mm)	1792
B - Maximum width (mm)	1247
C - Minimum width (mm)	977
D - Height under load-compartment cover (mm)	468
Height under the roof (mm)	917
Useful volume under the roof (L)	1623



CLEARANCE ANGLES

4x2 (mm)

1 Approach angle	29°
2 Ventral angle	21°
3 Departure angle	29°

DACIA DUSTER COMMERCIAL ENGINES

TCe 150 Auto 4x2

Blue dCi 115 4x2

ENGINES	TCe 150 Auto 4x2	Blue dCi 115 4x2
ENGINE TYPE	Euro 6 D Full	Euro 6 D Full
Engine type	HR13DDT (H5H) 490 /M3	K9K GEN8 4*2
Cubic capacity (cm ³)	1,332	1,461
Number of cylinders/valves	4 in line / 16	4 in line / 8
Fuel	Unleaded petrol	Diesel
Fuel injection type	Direct injection	Commonrail direct + multipoint injection
Aspiration	Turbocharged	Turbocharged
Particulate filter (PF)	Standard	Standard
Bore x Stroke	72.2x81.4	76 x 80.5
Peak power KW (Metric HP) @ RPM	110 (148) @ 5,250-6,000	85 (115) @ 3,750
Peak torque ((Nm) @ RPM	250 @ 1,700-3,250	260 @ 1,750-2,750
Stop and Start	Yes	Yes
PERFORMANCE		
Maximum Speed mph (km/h)	108 (174)	108 (174)
0- 62 mph - secs (0-100 km/h)	9.7	10.3
400 m stopping distance (secs)	16.8	17.5
1000 m Stopping distance (secs)	31.4	32.2
FUEL CONSUMPTION AND EMISSIONS		
CO ₂ (g/km) WLTP	141	127
Combined cycle - mpg (l/100km) WLTP	45.6 (6.2)	58.9 (4.8)
Low - l/100km WLTP	7.7	5.2
Medium - l/100km WLTP	5.9	4.6
High - l/100km WLTP	5.4	4.2
Extra-High - l/100km WLTP	6.7	5.5
GEARBOX		
Drive type	Front-wheel drive	Front-wheel drive
Gearbox type	DCT (Dual Clutch Transmission)	Manual
Alliance gearbox code	DC25D6Fg1	TX26 M6Fg2
Number of forward gears	6	6
Vehicle speeds (mph) per 1000 rpm: in 1st gear	4.58 mph	4.95 mph
Vehicle speeds (mph) per 1000 rpm: in 2nd gear	7.96 mph	8.77 mph
Vehicle speeds (mph) per 1000 rpm: in 3rd gear	12.26 mph	13.97 mph
Vehicle speeds (mph) per 1000 rpm: in 4th gear	17.41 mph	18.95 mph
Vehicle speeds (mph) per 1000 rpm: in 5th gear	23.35 mph	24.21 mph
Vehicle speeds (mph) per 1000 rpm: in 6th gear	30.16 mph	28.95 mph
STEERING		
Steering	Electrical power-assisted steering	Electrical power-assisted steering
Turning circle between pavements / walls (m)	10.72	10.72
Number of turns (lock-to-lock)	3.088	3.088
SUSPENSION		
Front suspension type		
Rear suspension type	Flexible axle with programmed deflection and coil springs	Flexible axle with programmed deflection and coil springs
WHEELS AND TYRES		
Wheel size		T145/90 R16
BRAKING		
Front: Ventilated discs - diameter (mm) / thickness (mm)	280/24	280 / 24
Rear: Drum - diameter (inches)	9	9
Anti-lock Braking System (ABS)	Yes	Yes
Electronic Brakeforce Distribution (EBD)	Yes	Yes
Emergency Brake Assist (EBA)	Yes	Yes
ESC (Electronic Stability Control)	Yes	Yes
FUEL TANK CAPACITY		
Fuel tank capacity (litres)	50	50
AdBlue tank capacity (litres)		14.4
WEIGHT		
	Expression	Expression
Kerb Weight (Excluding Driver) (kg)	1,305	1,392
Unladen weight on front axle (kg)	779	826
Unladen weight on rear axle (kg)	526	566
Total authorised laden weight (kg)	1,774	1,852
Gross train weight (GTW)	2,978	3,055
Max payload (kg)	345	355
TOWING CAPACITY		
Max Braked Towing Weight (kg)	1,200	1,200
Max Unbraked Towing Weight (kg)	665	710
GROUND CLEARANCE		
Ground clearance (unladen) (mm)	210	210
Wading depth (mm)	450	450

*WLTP figures shown are for comparability purposes. Actual real world driving results may vary depending on factors such as weather conditions, driving styles, vehicle load or any accessories fitted after registration.

DACIA DUSTER COMMERCIAL PRICING

	CO ₂ g/km WLTP	FUEL TYPE	COMBINED FUEL CONSUMPTION (MPG) - WLTP*	BHP	VED YEAR 1†	BASIC PRICE	VAT 20%	TOTAL RETAIL PRICE	ON THE ROAD PRICE^
DACIA DUSTER COMMERCIAL									
Expression	TcE 150 EDC 4x2 MY23	Petrol	45.6 (6.2)	150	£335	£19,145.00	£3,829.00	£22,974.00	£23,944
	Blue dCi 115 4x2 MY23	Diesel	58.9 (4.8)	115	£335	£17,845.00	£3,569.00	£21,414.00	£22,384

*WLTP figures shown are for comparability purposes. Actual real world driving results may vary depending on factors such as weather conditions, driving styles, vehicle load or any accessories fitted after registration.

†Vehicle Excise Duty: first 12 months.

‡Renault UK Limited does not offer tax advice and recommends that all Company Car Drivers consult their own accountant with regards to their particular tax position.

^All prices shown are the manufacturer's recommended retail prices. The "On the road" price includes delivery to the dealer premises, number plates, 12 months government road fund licence (cost dependent on CO₂ emissions) and First Registration Fee at £55. Other goods or services supplied by agreement between the customer and the dealer are not included.

OPTIONS

OPTION	EXPRESSION	BASIC PRICE	VAT 20%	TOTAL RETAIL PRICE^
Metallic & opaque paint	o	£541.67	£108.33	£650
Spare Wheel (Excluding 4x4 versions)	o	£250.00	£50.00	£300

o: available as an option ^Manufacturer's recommended retail prices

DACIA DUSTER COMMERCIAL

WE'VE GOT YOU COVERED

You might think our shockingly affordable prices mean our cars aren't made to last. Actually, the Dacia range is one tough cookie. To prove it, you get a 3-year* warranty (or 60,000 miles, if you reach that first). This means we will replace any part which has been deemed by a Dacia approved dealer to be defective due to a manufacturing fault, free of charge. To keep the good times rolling, you can extend your warranty up to 7 years for a great price. We also give you a 2-year paintwork and 6-year anti-corrosion warranty, so you can kick back knowing that your Dacia will stay looking good-as-new for years to come.

ROADSIDE ASSISTANCE

Although our cars are built for plain sailing, you can rely on us if you have a breakdown – 24/7 365, wherever you are in the UK or Northern Ireland. This offer also stands for the first 3 years/60,000 miles Δ after you buy your new Dacia.

DACIA CAR INSURANCE 1

Dacia Insurance has been specifically created to provide superb protection for you and your car. Unlike most other UK insurers, in the event of an accident, your Dacia will be repaired at a Dacia Approved Bodyshop using only Dacia approved parts and approved repair methods. This maintains your Dacia's safety rating, protects its resale value and helps to maintain its Dacia warranty \wedge . Dacia Insurance also offers a courtesy car for the duration of a repair at a Dacia Approved Bodyshop.

Dacia car insurance: 0330 102 7795 www.daciacarinsurance.co.uk

Lines are open Mon - Thurs 8.30am - 7pm, Fri 9am - 6pm, Sat 9am - 5pm

SERVICING

Dacia Service Plans are the ultimate hassle free way to take care of your vehicle. Depending on the Service plan you purchase (see opposite grid) your servicing needs are covered and you benefit from;

- Inflation Proof Servicing – You know exactly what you'll pay and there are no hidden costs
- Peace of Mind – No matter where life takes you, we'll be there in over 5000 workshops across Europe
- Dacia Expertise & Quality – Our highly trained technicians know your Dacia inside out

The Dacia Service Plan contains Dacia services in-line with the manufacturer's service schedule, plus comes with a complimentary vehicle health check to ensure your Dacia is in the best condition possible.

Service plan \wedge

	Monthly payments
3 years / 30,000 miles Service Plan	£11.99 per month
4 years / 48,000 miles Service Plan	£17.99 per month
4 years / 48,000 miles Service Plan + 1 MOT	£18.99 per month
4 years / 60,000 miles Service Plan + 1 MOT	£24.99 per month

Service Intervals \circ

Annual servicing **OR** servicing at 18,000 miles (whichever comes first)

Service Schedule \circ	Year 1	Year 2	Year 3	Year 4	Year 5	Year 6
	Change Cabin Filter	Change Oil + Oil Filter	Change Cabin filter + Brake Fluid	Change Oil + Oil filter + Air filter (36k miles) + Spark Plugs (36k miles)	Change Cabin filter + Coolant (90k miles)	Change Oil + Oil Filter + Brake Fluid + Accessory Belt (90k miles)

Diesel Models only \circ

Annual servicing **OR** servicing at 15,000 miles (whichever comes first)

Service Schedule \circ	Year 1	Year 2	Year 3	Year 4	Year 5	Year 6
	Change Cabin Filter	Change Oil + Oil Filter	Change Cabin filter + Brake Fluid	Change Oil + Oil filter + Air filter (30k miles) + Diesel Filter (30k miles)	Change Cabin filter + Coolant (90k miles)	Change Oil + Oil Filter + Brake Fluid + Timing Belt (90k miles) + Accessory Belt (90k miles)

*Dacia warranty ends when you reach the age or mileage limit (whichever comes first), from date of registration. Subject to status, terms and conditions apply. For full Dacia Extended Warranty Terms and Conditions visit www.dacia.co.uk/warranty-and-assistance/warranty

Δ Roadside assistance for the first 3 year / 60,000 miles, which ever is reached first, from date of registration. For full Terms and Conditions visit www.dacia.co.uk/warranty-and-assistance/assistance

\dagger Dacia Extended warranties are available to purchase from first date of registration up to end of manufacturer warranty. For full Dacia Extended Warranty Terms and Conditions visit www.dacia.co.uk/warranty-and-assistance/warranty

\wedge The Service plan offer is available for eligible retail vehicles only and valid at participating dealers only. Vehicles must be ordered between 2 January to 4 April and registered by 30 June 2024. The Dacia Service plan covers the manufacturer's minimum maintenance programme requirements for the term of the Service plan purchased (refer to the Warranty and Service sheet in the Handover Document wallet for details). The plan ends when you reach the age or mileage limit (whichever comes first). Services must be carried out in line with the manufacturer's minimum maintenance programme requirements and servicing intervals within +/- 1 month or 1,000 miles of the service interval and can only be carried out at a Dacia Approved outlet. Service plans do not cover wear and tear items such as (but not limited to) tyres, wiper blades or brakes. For Service plan full Terms & Conditions visit www.dacia.co.uk/services-and-finance/service-plan. Cannot be part exchanged, refunded or transferred.

\circ The service schedule and intervals are specific to the version and derivative of vehicle. Check with your Dacia retailer to confirm the service schedule / intervals as the above is an indicative guideline.

\wedge Dacia Insurance is arranged and administered by Verex Insurance Services Ltd, which is registered in England and Wales No. 05686831 at Batchworth House, Church Street, Rickmansworth, Herts, WD3 1JE and authorised and regulated by the Financial Conduct Authority, No. 487185. Verex Insurance Services Ltd arranges policies from a panel of insurers, details are available on request.

Δ If your insurer uses non-approved parts which subsequently fail, they may not be covered under your manufacturer's warranty.

Every precaution has been taken to ensure this publication is accurate and up to date when printed. This document has been created using pre-production and prototype models. In line with its policy of continuous product improvement, Dacia reserves the right to modify the specifications, vehicles and accessories described and featured at any time. Any such modifications are communicated to Dacia dealers as quickly as possible. Depending on the country of sale, versions may differ and certain equipment may be unavailable (as standard, optional or as an accessory). Please consult your Dacia brand representative for the latest information. For technical printing reasons, the colours featured in this document may differ slightly from those of the actual paintwork or interior trim. All rights reserved. Reproduction in any format and by any means of all or part of this publication is prohibited without prior written authorisation from Dacia.

PUBLICIS - PHOTO CREDITS : MARC & DAVID, H. PICARD, TWIN GROUP, © RENAULT MARKETING 3D-COMMERCE - APRIL 2024

