

DACIA

# DACIA DUSTER



3rd April 2024



1

## EXPLORE YOUR DUSTER

DISCOVER



2

## YOUR DUSTER FOR DAILY USE

DISCOVER



3

## EQUIPMENT AND TECHNICAL CHARACTERISTICS

DISCOVER



4

## THE DACIA SPIRIT: GOOD THINKING

DISCOVER



# THE AUTHENTIC SUV





# SIMPLY RUGGED

Nothing can stop it. Now, more than ever, Dacia Duster is the archetypal SUV. Its iconic style, assertive design and new body-tone colours enhance its adventurous character. Today, Duster is available in the Extreme finish, which adds the exclusive Cedar Green colour to its palette for an even more off-road look.





# EXTREME, A LOOK MORE DUSTER THAN EVER

Dacia Duster Extreme is instantly recognisable thanks to the attention given to the finishes. Inside, screen-printed door sills and floor mats welcome you on board. As for the shimmer provided by the Copper Brown finishes, it embellishes the front door topstitching, the central armrest and the handbrake. Finally, the washable mixed MicroCloud plastic coated fabric upholstery is designed to cope with any type of adventure.



On the outside, Copper Brown details can be found on the mirrors, identity marking on the sides, modular roof bars and rear tailgate. It exudes a thirst for adventure with its glossy black alloy wheels decorated with Copper Brown centre caps, its wheel arch mouldings and its shark fin antenna.



**COPPER BROWN DOOR MIRROR SHELLS**



**GLOSSY BLACK ALLOY WHEELS WITH  
COPPER BROWN CENTRE CAPS**



**COPPER BROWN DACIA LOGO ON THE TAILGATE**



# URBAN ADVENTURER

Because adventure begins at the corner of your street, Dacia Duster is just as at home in the city. With its electrical power-assisted steering, blind spot warning and brand-new EDC automatic gearbox,<sup>(1)</sup> driving has never been so smooth. And on the engine front, Duster offers a choice of petrol or bi-fuel (petrol and LPG).

(1) Available with the TCe 150 engine.





# A FULLY-EQUIPPED PASSENGER COMPARTMENT

Inside, comfort is also on the agenda with the sliding centre console offering additional storage space (almost 1.1 L). On the steering wheel, the backlit buttons are easier to identify. The dashboard accommodates a large 8-inch, semi-flush touch screen, as well as two USB ports.



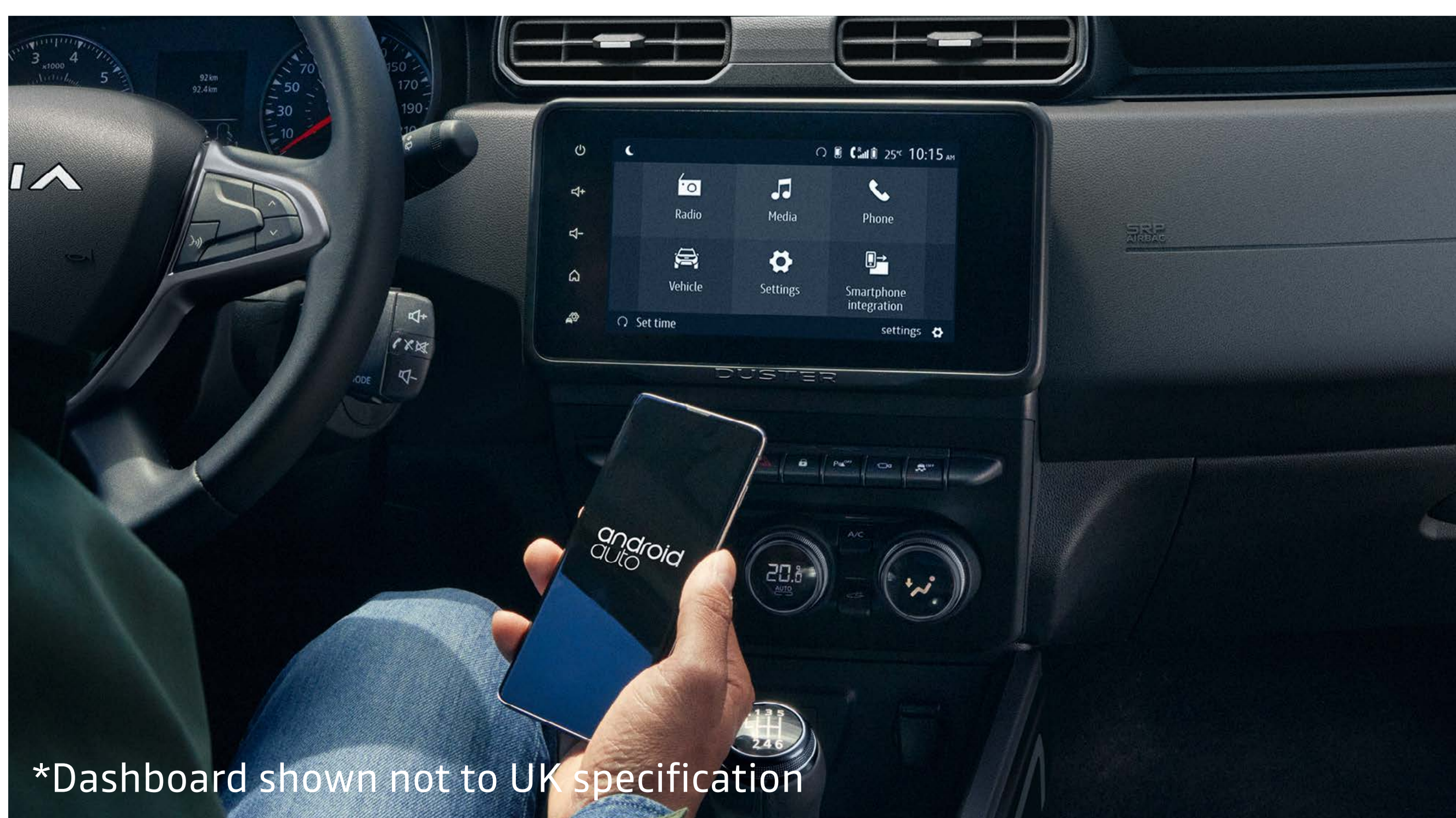
Two multimedia systems are now available to meet all individual needs: Media Display and its intuitive, user-friendly interface feature an 8-inch screen, four speakers, Bluetooth® connectivity and smartphone replication with Android Auto™ and Apple CarPlay™.

Media Nav, meanwhile, comes with MAP CARE on-board navigation (Western or Eastern Europe maps + 6 free updates for 3 years on-board) and two additional speakers. In the back, passengers have two USB\* sockets for charging tablets and smartphones. Peace of mind on long journeys!

Android Auto™ is a trademark of Google Inc.

Apple CarPlay™ is a trademark of Apple Inc.

\* Depending on version.



**SMARTPHONE MIRRORING VIA USB CABLE**





## BOOT SPACE AND FULL OF IDEAS

You won't believe what you can take with you in Duster. So don't hold back! Luggage, parcels, furniture... your SUV is always ready. The extremely modular layout lets you adapt the passenger compartment to your needs or desires: the loading capacity of the boot, the flexibility in using the interior space (60/40 split fold rear bench seat, but all of the seats can be folded down) maximise your carrying options.

The many storage spaces in the doors and on the backs of the front seats invite you to empty your pockets and enjoy freedom while driving!



**418 LITRES OF BOOT VOLUME**



**FOLDING REAR BENCH SEAT**



# DRIVE IN COMPLETE SAFETY



True adventurers prioritise safety. Dacia Duster is no exception to this rule, comprising features that let you drive with complete peace of mind, wherever you choose to go. A reinforced body structure, front and side airbags and the Isofix child seat mounting system make sure that everyone is protected.



## MULTIVIEW CAMERA

The MultiView Camera gives you more eyes! It provides front, rear and side views, helping you detect holes, rocks or obstacles that are not always easy to see, and making driving easier for you.



## AUTOMATIC WINDSCREEN WIPERS

The rain sensor at the top of the windscreen automatically activates the wipers.

[BUILD YOURS](#)

[MENU](#)



# DISCOVER THE EQUIPMENT

COLOURS



AMBIANCES



ACCESSORIES



ENGINES



EQUIPMENT & OPTIONS



PRICING



SERVICING



DIMENSIONS





# COLOURS



**DUSTY KHAKI<sup>(3)</sup>**



**ARIZONA ORANGE<sup>(2)\*</sup>**



**GLACIER WHITE<sup>(1)</sup>**



**SLATE GREY<sup>(2)</sup>**



**PEARL BLACK<sup>(2)</sup>**



**URBAN GREY<sup>(3)</sup>**



**CEDAR GREEN<sup>(2)\*\*</sup>**

(1) Solid paint. (2) Metallic paint. (3) Special paint.  
 \*not available on Extreme.  
 \*\* only available on Extreme.  
 Non-binding photos.

COLOUR AVAILABILITY		Expression	Journey	Extreme
<b>SOLID PAINT</b>				
369	Glacier White	○	○	○
<b>METALLIC PAINT</b>				
676	Pearl Black	○	○	○
ENZ	Arizona	○	○	-
KNA	Slate Grey	○	○	○
DQM	Cedar Green	-	-	○
<b>SPECIAL PAINT (PRICED AS METALLIC)</b>				
KPW	Urban Grey	○	○	○
QQM	Dusty Khaki	○	○	○

○ = Optional. - = Not available.



# AMBIANCES

## EXPRESSION



## MAIN EQUIPMENT EXPRESSION

### EQUIPMENT

- 6 airbags (front, shoulders, curtains)
- ABS and emergency brake assist
- Automatic headlights
- Luggage cover
- Remote central locking
- Electric variable power steering
- Eco Mode, Stop & Start and gearshift indicator
- ESC and hill start assist
- Storage spaces in rear doors
- Isofix anchorage for lateral rear seats
- Inflation kit
- Electric front & rear windows with one touch operation for driver
- Speed limiter and cruise control with steering wheel controls
- 2 central front roof lights (driver and passenger)
- Seat-back pockets for front seats
- 2x 12V sockets (1 front, 1 rear)
- Rear parking sensors
- Reversing camera
- Electric and heated exterior mirrors
- Driver's seat with height adjustment lever
- Soft-feel steering wheel with Steel Grey decorations
- Eco-LED headlights
- Split and folding rear bench seat 1/3-2/3
- Height- and reach-adjustable steering wheel
- Manual air conditioning

- Front fog lights
- 180 kmh / 112 mph Speed Limiter
- 8" Media Display: DAB radio, smartphone replication via USB cable and WIFI, compatible with Android Auto™ and Apple CarPlay™, Bluetooth® connection, 4 speakers, 8" touch screen, audio streaming and Bluetooth® telephony with controls on the steering wheel

### DESIGN

- 16" Oraga alloy wheels
- New grille featuring Dacia logo and white decorative inserts
- Body-coloured exterior door handles
- Silver-look exterior mirrors
- Steel Grey interior door handles
- Steel Grey circular air vent outlines with white sliders
- Glossy Black gear lever knob
- 'Expression' upholstery
- LED daytime running lights
- Black longitudinal roof bars

### OPTIONS

- Spare wheel + jack (except for TCe 100 Bi-Fuel)<sup>(1)</sup>
- Metallic or special paint

(1) The "spare wheel" option replaces the "inflation kit" equipment.  
Android Auto™ is a trademark of Google Inc. Apple CarPlay™ is a trademark of Apple Inc.



## JOURNEY



### MAIN EQUIPMENT JOURNEY = EXPRESSION +

#### EQUIPMENT

- Automatic air conditioning
- Automatic wipers
- Automatically folding exterior mirrors with control pad on driver's door
- Multiview camera
- Media Nav 8": navigation with MAP CARE (Western or Eastern Europe map + 6 free updates over 3 years), DAB radio, smartphone replication via USB cable and wifi compatible with Android Auto™ and Apple CarPlay™, 6 speakers, 8" touchscreen, Bluetooth® audio streaming and telephone controls on steering wheel, Eco-driving coaching
- Driver's seat with lumbar adjustment
- Blind spot warning
- Semi-high center console with sliding TEP armrest and 1.1L storage
- Central ceiling light for rear passengers
- Illuminated glove box
- Modular roof bars
- Heated front seats
- Keyless entry card
- Two USB sockets in the rear

#### DESIGN

- Exterior Look Pack: front and rear skis, roof bars, and exterior mirror covers in Megalith Grey, tinted windows, side windows, and rear hatch
- 17" Tergan alloy wheels
- TEP door panels with stitching
- Front door pull handles in Fog Grey
- "Journey" upholstery
- Fog Grey interior decorative elements with climate controls

#### OPTIONS

- Spare wheel + jack (except for TCe 100 Bi-Fuel)<sup>(1)</sup>
- Metallic or opaque paint

(1) The "spare wheel" option replaces the "inflation kit" equipment.  
Android Auto™ is a trademark of Google Inc. Apple CarPlay™ is a trademark of Apple Inc.



## EXTREME



### MAIN EQUIPMENT EXTREME = JOURNEY +

#### DESIGN

- 17" black alloy wheels with Dacia emblem and Copper Brown center caps
- Black shark antenna
- Grille with the new Dacia visual identity
- Copper Brown mirror shells, door and side stickers with topographic patterns, Dacia logo on the tailgate
- Plastic wheel arches front and rear
- Modular roof bars with Copper Brown Duster lettering
- Washable TEP MicroCloud mixed upholstery with specific screen printing
- Washable MicroCloud TEP door medallions with Copper Brown stitching
- Copper Brown stitching on handbrake and central armrest
- Serrated rubber floor mats front and rear
- Screen-printed front door sills

#### OPTIONS

- Spare wheel + jack (except TCe 100 Bi-Fuel)
- Metallic & special paint

[BUILD YOURS](#)

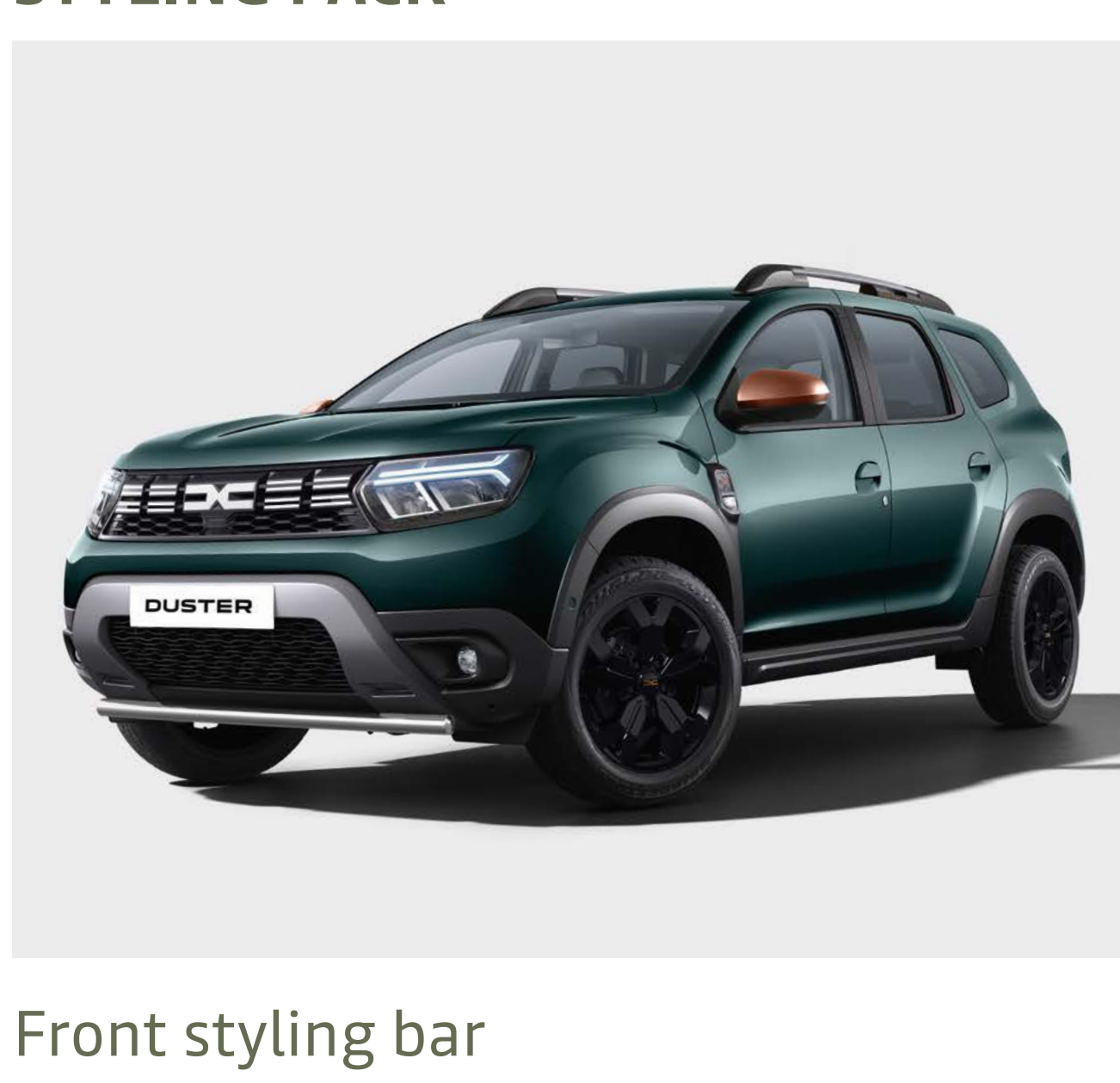
[MENU](#)



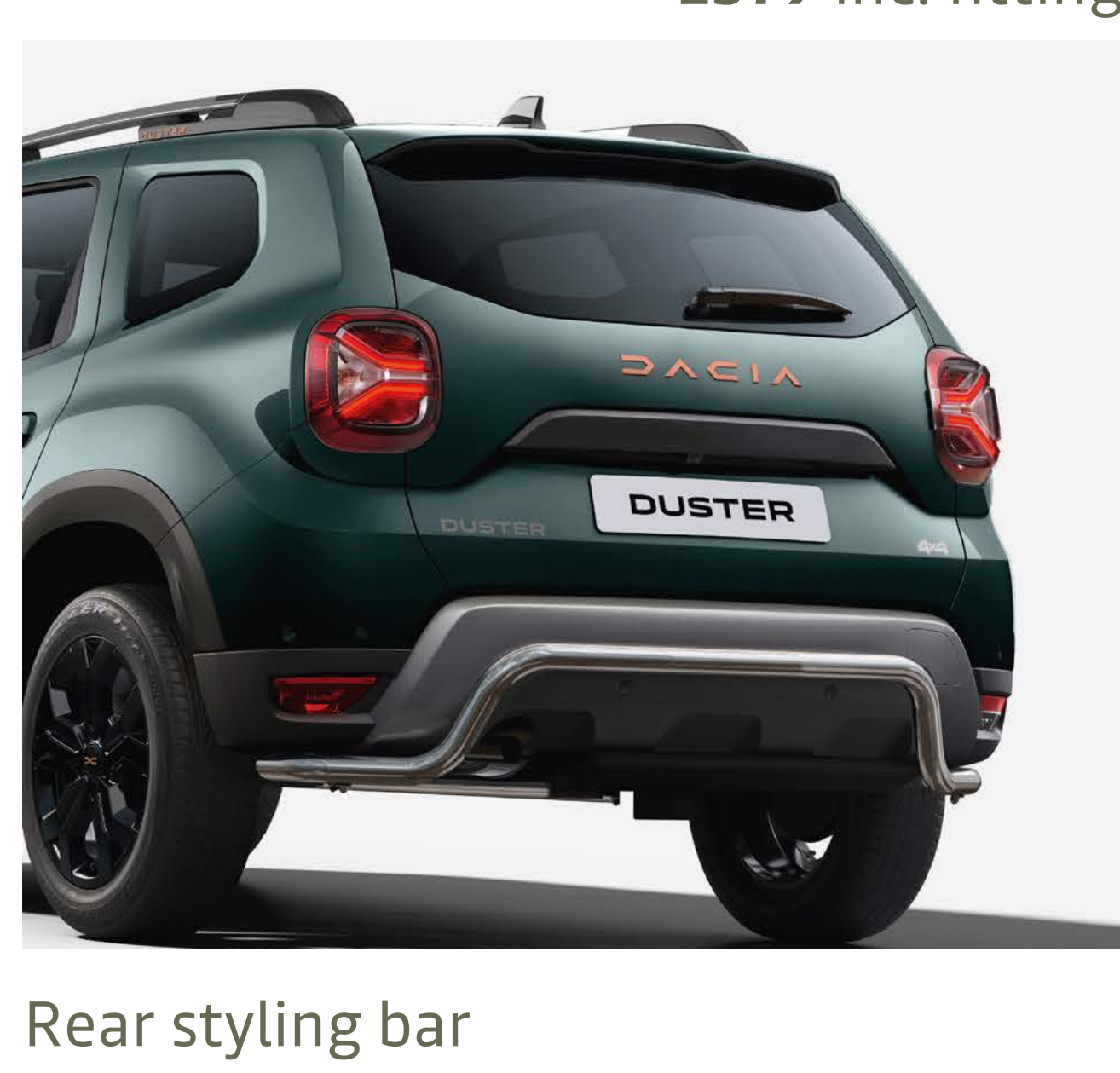
# ACCESSORY PACKS

## STYLING PACK

£379 inc. fitting



Front styling bar



Rear styling bar

## SIDE STEP PACK

£499 inc. fitting



Side steps

## OFF ROAD PACK

£359 inc. fitting



Door sill side protectors & front and rear wing protectors

Available for versions with & without blind spot protection

Not compatible with Extreme versions

## PROTECTION PACK

£305 inc. fitting



Illuminated door sills



Front & rear mud guards



Boot liner

## PET PACK

£205 inc. fitting



Separation grid



Modular boot liner

## DASH CAM PACK

£395 inc. fitting



KENWOOD front dash cam



KENWOOD rear cam

## TOURING PACK

£499



Roof bars, Roof box 480L

## CYCLE PACK

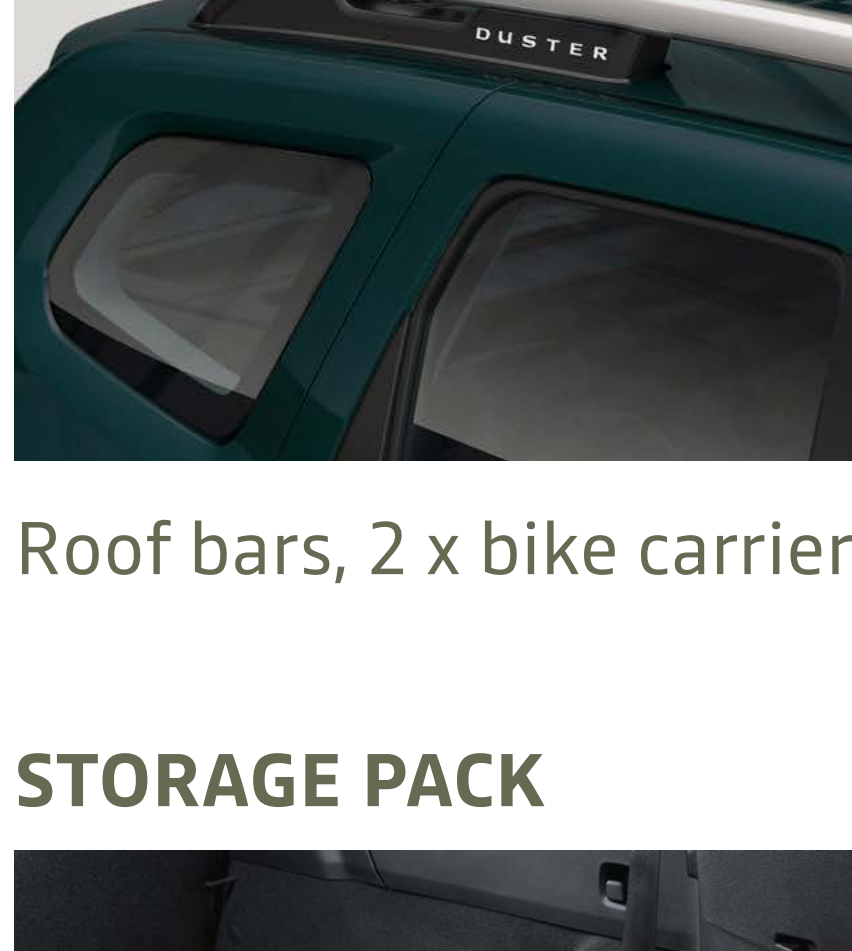
£400



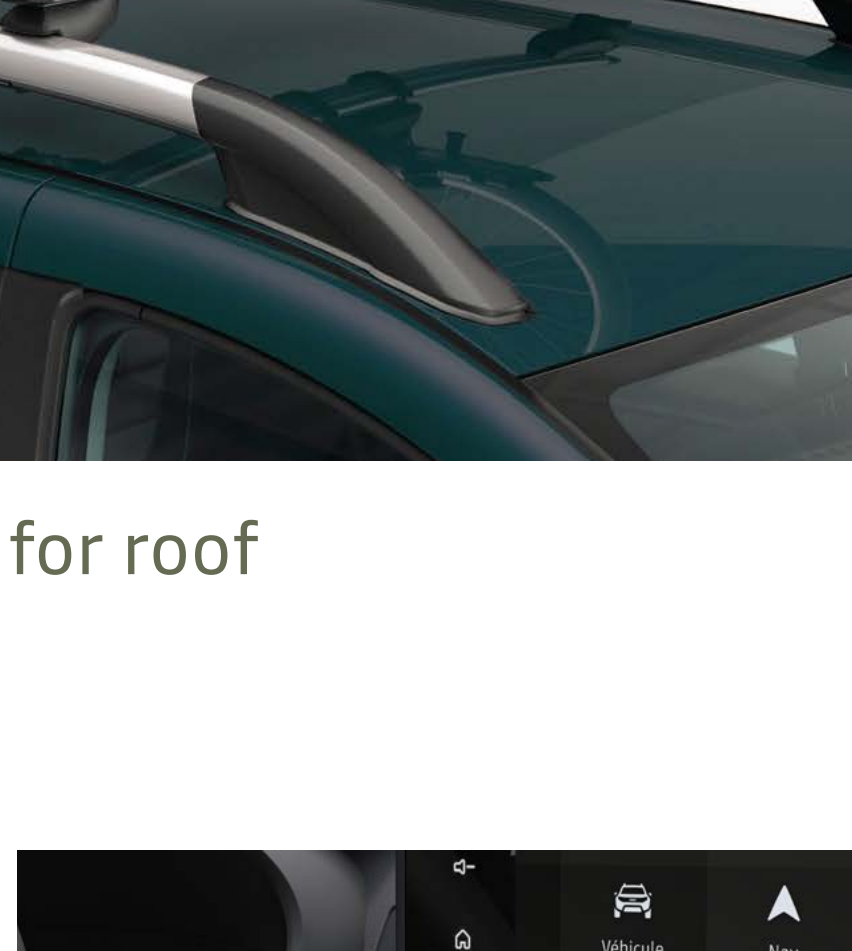
Roof bars, 2 x bike carriers for roof

## STORAGE PACK

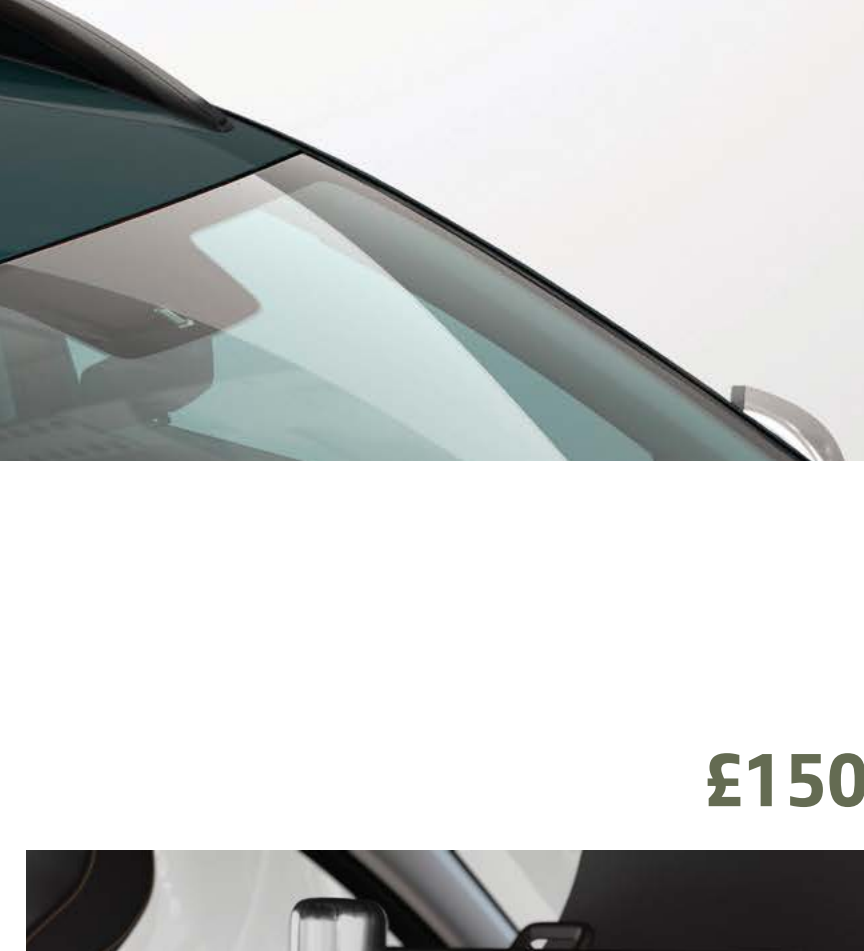
£150



Boot storage box



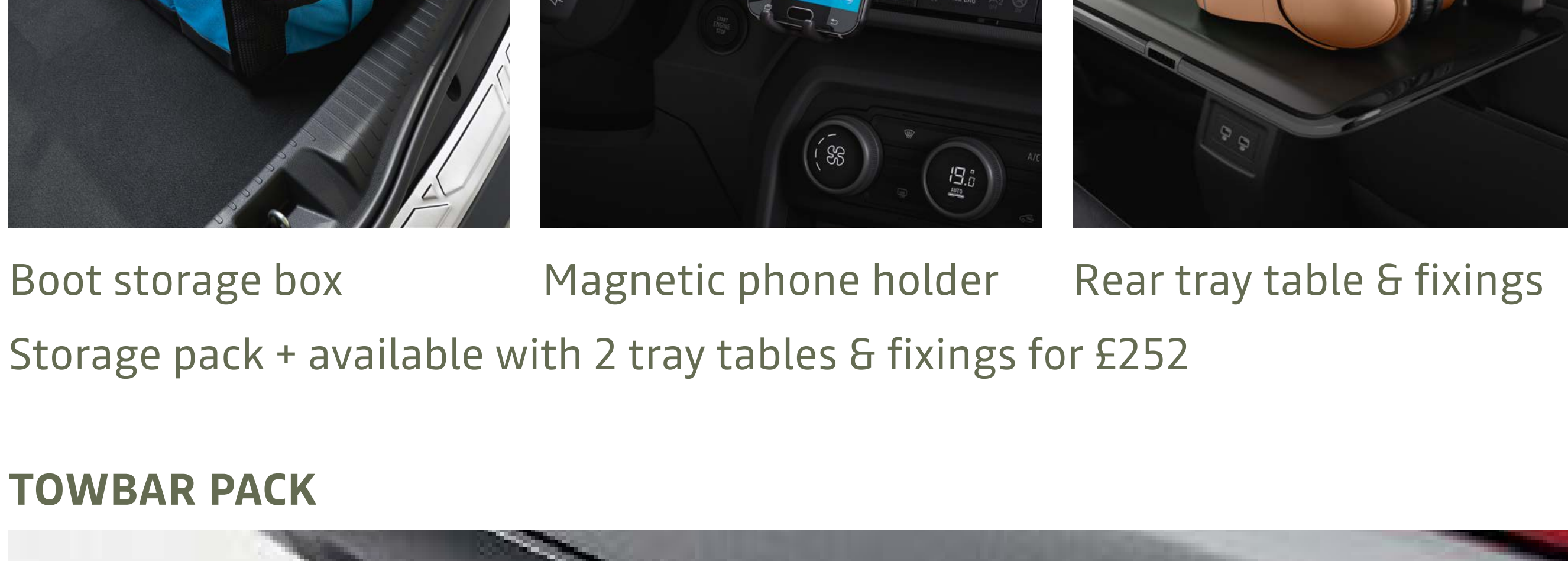
Magnetic phone holder



Rear tray table & fixings

Storage pack + available with 2 tray tables & fixings for £252

## TOWBAR PACK



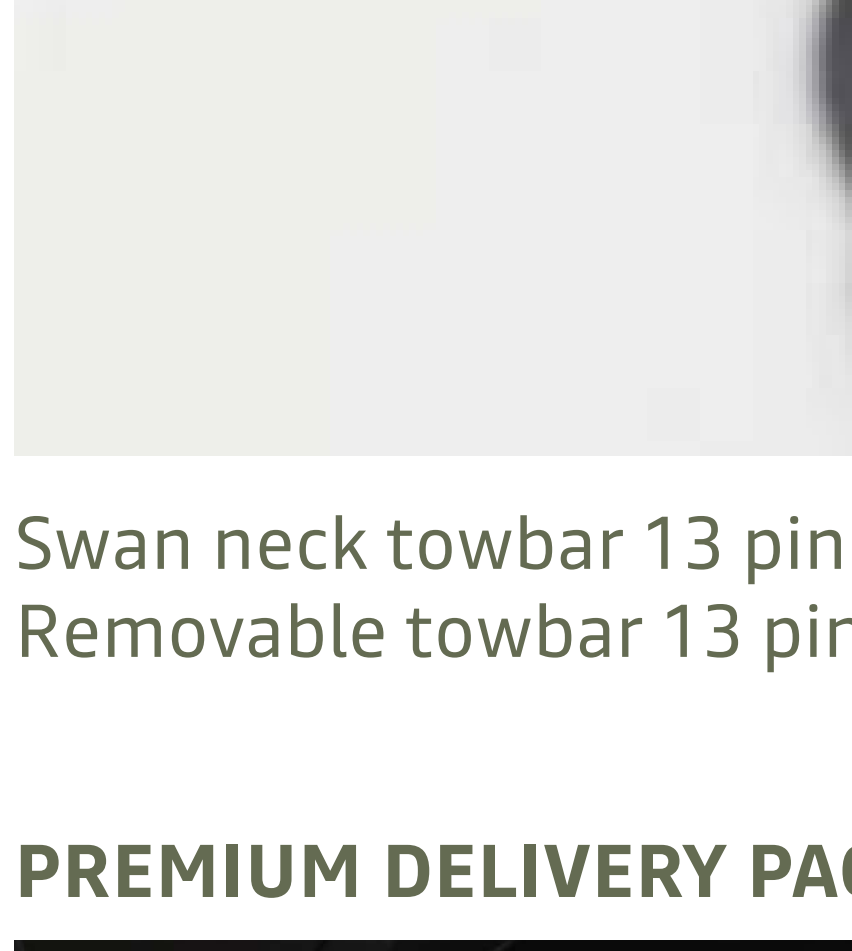
Swan neck towbar 13 pin

Removable towbar 13 pin

£599 inc. fitting

£780 inc. fitting

## PREMIUM DELIVERY PACKS



Premium textile floor mats



Safety kit



Rubber boot liner

## PREMIUM DELIVERY PACK

£95

Premium textile floor mats

Safety kit

## PREMIUM DELIVERY PACK+

£160

Premium textile floor mats

Safety kit

Rubber boot liner

All accessories purchased prior to vehicle registration come with a 3 year manufacturers warranty  
Accessories are fitted post production and may have an impact on WLTP fuel (actual) consumption and CO<sub>2</sub> figures

[DOWNLOAD ACCESSORIES BROCHURE](#)



# ENGINES

	TCe 90	TCe 100 Bi-fuel	TCe 130	TCe 150 EDC
<b>ENGINES</b>				
Fuel	Petrol	Petrol + LPG	Petrol	Petrol
Fiscal rating (CV)	5	5	7	8
Max. power kW EEC (hp) at an engine speed of (rpm)	67 (90 hp) at 4,400-4,900	67/74 (90 hp/100 hp) at 4,400-4,900/4,600-5,000	96 (130 hp) at 4,500-6,000	110 (150 hp) at 5,250-6,000
Max torque Nm EEC (m.kg) at an engine speed of (rpm)	160 at 2,200-3,750	160/170 at 2,200-3,750/2,000-3,500	240 at 1,600/3,500	250 at 1,700-3,250
Injection type	Sequential multipoint	Sequential multipoint	Direct injection	Direct injection
Capacity (cc)	999	999	1,332	1,332
No. of cylinders/valves	3 cylinders/12 valves	3 cylinders/12 valves	4 cylinders/16 valves	4 cylinders/16 valves
Emission control standard	Euro 6	Euro 6	Euro 6	Euro 6
Particle filter <sup>(1)</sup>	Yes	Yes	Yes	Yes
Stop & Start <sup>(2)</sup>	Yes	Yes	Yes	Yes

<b>PERFORMANCE</b>				
Top speed (mph) / 0-62 mph (s)	103/13.1	104/13.8	108/10.6	108/9.7
1,000 m from standing start (s)	35.4	36.2	31.6	31.4

<b>GEARBOX AND TRANSMISSION</b>				
Transmission	4x2	4x2	4x2	4x2
Gearbox type / Number of gears	Manual/6	Manual/6	Manual/6	Automatic/6

<b>STEERING</b>				
Steering	Electrical power-assisted steering			
Turning circle, kerb to kerb (m)	10.72	10.72	10.72	10.72

<b>BRAKING</b>				
Front: ventilated disc (VD)/diameter (mm)	(VD)/280	(VD)/280	(VD)/280	(VD)/280
Rear: drum (D)/diameter (inches)	(D)/9	(D)/9	(D)/9	(D)/9

<b>WHEELS AND TYRES</b>				
Reference tyre sizes	215/65 R16 & 215/60 R17			

<b>FUEL CONSUMPTION AND EMISSIONS<sup>(3)</sup></b>				
Approval protocol	WLTP <sup>(4)</sup>			
Eco mode	Yes	Yes	Yes	Yes
Fuel tank capacity (L)	50	Petrol: 50 - LPG <sup>(3)</sup> : 48.8	50	50
AdBlue <sup>®</sup> tank capacity <sup>(4)</sup> (l)	-	-	-	-
CO <sub>2</sub> emissions (g/km)	140	Petrol: 145 / LPG: 127	141	142
Consumption over a combined cycle (mpg)	45.6	Petrol: 44.1 / LPG: 40.4-40.9	45.6	44.8
Consumption over a low cycle (mpg)	38.2	Petrol: 36.7 / LPG: 30.0	38.7	36.7
Consumption over a medium cycle (mpg)	50.4	Petrol: 47.9 / LPG: 42.8-43.5	49.6	47.9
Consumption over a high cycle (mpg)	52.3	Petrol: 50.4-51.4 / LPG: 47.1-48.7	52.3	52.3
Consumption over an extra high cycle (mpg)	41.5	Petrol: 40.4-40.9 / LPG: 39.2-40.4	41.5	42.2

<b>WEIGHT (kg) AND VOLUME</b>				
Max. unladen kerb weight	1,189	1,289	1,242	1,263
Gross train weight (GTW)	2,934	2,960	2,967	2,978
Maximum permissible laden weight (MPLW)	1,734	1,760	1,767	1,778
Max./min. payload <sup>(5)</sup>	460/545	460/478	460/525	450/515
Max. braked towing weight	1,200	1,100	1,200	1,200
Max. unbraked towing weight	630	665	655	665
Min. boot volume under luggage space cover with repair kit /with spare wheel <sup>(6)</sup> (dm <sup>3</sup> VDA)	445/445	445/445	445/445	445/445
Max. boot volume with rear bench seat folded down with repair kit/with spare wheel <sup>(6)</sup> (dm <sup>3</sup> VDA)	1,478/1,478	1,478/1,478	1,478/1,478	1,478/1,478
Min. boot volume under luggage space cover with repair kit/with spare wheel (litres)	478/478	478/478	478/478	478/478
Max. boot volume with rear bench seat folded down with repair kit/with spare wheel (litres)	1,623/1,623	1,623/1,623	1,623/1,623	1,623/1,623

[BUILD YOURS](#)

[MENU](#)



# EQUIPMENT AND OPTIONS

	EXPRESSION	JOURNEY	EXTREME
<b>EXTERNAL APPEARANCE</b>			
LED brand light	•	•	•
Automatic activation of daytime running lights	•	•	•
Grille with white hubcaps	•	•	•
Front and rear skid plates	Black	Megalith Grey	Megalith Grey
Exterior door handles	Body-coloured	Body-coloured	Body-coloured
Door mirrors	Silver	Megalith Grey	Copper Brown
Roof bars	Black	-	-
Modular roof bars	-	Megalith Grey	Megalith Grey
Tinted windows (rear, quarter panels, tailgate)	-	•	•
Metallic black shark fin antenna	-	-	•
Wing trims in black plastic	-	-	•
16" Oraga alloy wheels	•	-	-
17" Tergan alloy wheels	-	•	Black
<b>SEATS AND INTERIOR TRIMS</b>			
Air vent surrounds	Steel Grey	Steel Grey	Steel Grey
Interior door handles	Steel Grey	Steel Grey	Steel Grey
Front door pull handles	-	Fog Grey	Fog Grey
1/3- 2/3 split-fold rear bench seatback	•	•	•
Soft feel steering wheel	•	•	•
Expression upholstery	•	-	-
Journey upholstery	-	•	-
Extreme Microcloud upholstery	-	-	•
<b>ACTIVE AND PASSIVE SAFETY</b>			
ABS (Anti-lock Braking System) + EBA (Emergency Brake Assist)	•	•	•
Electronic Stability Control (ESC) with Hill Start Assist (HSA)	•	•	•
Driver's front airbag	•	•	•
Passenger's front airbag, disconnectable	•	•	•
Shoulder and curtain side airbags	•	•	•
Front and rear seat belts with pyrotechnic pretensioner	•	•	•
Tyre pressure detection	•	•	•
3 <sup>rd</sup> 3-point rear seat belt (inertia reel)	•	•	•
Blind spot warning	-	•	•
Spare wheel + jack <sup>(1)</sup> (except Bi-Fuel version)	o/o	o/o	o/o
Tyre inflation kit	•	•	•
Isofix child seat mounting system on rear side seats	•	•	•
180 kmh / 112 mph Speed limiter	•	•	•
<b>DRIVING AND CONTROL INSTRUMENTS</b>			
Electrical power-assisted steering	•	•	•
On-board computer with 13 functions (TFT screen): overall totaliser, partial totaliser, fuel used, average fuel consumption, predicted driving range, average speed, service/oil change intervals, gear change indicator, driving speed, language settings, door open warning light, clock, exterior temperature	•	•	•
Visual and audible front seat belt warning	•	•	•
Eco Mode (Euro 6) + Stop & Start + gear change indicator	•	•	•
Cruise control and speed limiter	•	•	•
Rear parking sensors	•	•	•
Rear view camera	•	•	•
Multiview camera	-	•	•

• :available as standard; o: available as an option; -: not available.  
 (1) The "spare wheel + jack" option replaces the "tyre inflation kit".



# EQUIPMENT AND OPTIONS (CONTINUED)

	EXPRESSION	JOURNEY	EXTREME
<b>VISIBILITY</b>			
Front fog lights	•	•	•
Heated rear screen/timed rear screen wiper	•/•	•/•	•/•
Heated electrically adjustable door mirrors	•	•	•
Automatic windscreen wipers	-	•	•
<b>COMFORT</b>			
Manual heating and air conditioning system	•	-	-
Automatic heating and air conditioning system	-	•	•
Automatic folding door mirrors	-	•	•
Electric door locking with radio frequency remote	•	○	○
Keyless entry	-	•	•
Electric front windows	•	•	•
Electric rear windows	•	•	•
Steering wheel adjustable for height and reach	•	•	•
Height-adjustable driver's seat	•	•	•
Height-adjustable driver's seat with lumbar adjustment	-	•	•
Semi-high centre console with sliding plastic-coated fabric armrest and storage	-	•	•
2 front reading lights	•	•	•
1 reading light for rear passengers	-	•	•
12V sockets front/rear	•/•	•/•	•/•
Glovebox lighting	-	•	•
Boot lighting	•	•	•
Heated front seats	-	•	•
<b>AUDIO</b>			
8" Media Display: DAB radio, smartphone mirroring via USB cable, Bluetooth® connection, 4 speakers, 8" touchscreen	•	-	-
8" Media NAV: MAP CARE navigation (Western or Eastern Europe map + 6 free updates for 3 years), DAB radio, smartphone replication via USB cable, Bluetooth® connection, 6 speakers, 8" touch screen	○	•	•
<b>PACKS</b>			
Navigation Pack: rear view camera, Media NAV with MAP CARE navigation (Western or Eastern Europe map + 6 free updates for 3 years) and smartphone replication via USB cable	-	•	•
Comfort+ Pack: half-height centre console with sliding armrest and storage, 2 USB ports in the rear, driver's seat with lumbar adjustment	-	-	•
Techno Pack: keyless entry, two USB ports in the rear	-	•	•

•:available as standard; ○: available as an option; -: not available.  
 (1) The "spare wheel + jack" option replaces the "tyre inflation kit".

**BUILD YOURS**

**MENU**



# PRICING

	CO <sub>2</sub> G/KM WLTP	FUEL TYPE	COMBINED FUEL CONSUMPTION (MPG) - WLTP	BHP	BENEFIT IN KIND	VED YEAR 1	BASIC PRICE	VAT 20%	TOTAL RETAIL PRICE	ON THE ROAD PRICE*
<b>EXPRESSION</b>										
TCe 90 4x2 MY23.5	140	Petrol	45.6 (6.2)	90	33%	£270	£14,479.17	£2,895.83	£17,375.00	£18,295
100 Bi-Fuel 4x2 MY23.5	145 (Petrol)/127(LPG)	Petrol/LPG	44.1 (6.4) & 36.2 (7.8)	100	34%	£260	£14,487.50	£2,897.5	£17,385.00	£18,295
TCe 130 4x2 MY23.5	141	Petrol	45.6 (6.2)	130	33%	£270	£15,645.83	£3,129.17	£18,775.00	£19,695
<b>JOURNEY</b>										
TCe 90 4x2 MY23.5	140	Petrol	45.6 (6.2)	90	33%	£270	£15,729.17	£3,145.83	£18,875.00	£19,795
TCe 100 Bi-Fuel 4x2 MY23.5	145 (Petrol)/127(LPG)	Petrol/LPG	44.1 (6.4) & 36.2 (7.8)	100	34%	£260	£15,737.50	£3,147.50	£18,885.00	£19,795
TCe 130 4x2 MY23.5	141	Petrol	45.6 (6.2)	130	33%	£270	£16,895.83	£3,379.17	£20,275.00	£21,195
TCe 150 4x2 EDC MY23.5	141	Petrol	45.6 (6.2)	150	33%	£270	£18,562.50	£3,712.50	£22,275.00	£23,195
<b>EXTREME</b>										
TCe 100 Bi-Fuel MY23.5	145 (Petrol)/127(LPG)	Petrol/LPG	44.1 (6.4) & 35.8 (7.9)	100	34%	£260	£16,154.17	£3,230.83	£19,385.00	£20,295
TCe 130 4x2 MY23.5	141	Petrol	45.6 (6.2)	130	33%	£270	£17,312.50	£3,462.50	£20,775.00	£21,695
TCe 150 4x2 EDC MY23.5	141	Petrol	45.6 (6.2)	150	33%	£270	£18,979.17	£3,795.83	£22,775.00	£23,695

\* "On the Road" price includes delivery to the dealer premises, number plates, 12 months government road fund license (depending on CO<sub>2</sub> emissions) and First Registration Fee at £55.

# OPTIONS

	EXPRESSION	JOURNEY	BASIC PRICE	VAT 20%	TOTAL RETAIL PRICE
Metallic & opaque paint	○	○	£541.67	£108.33	£650
Spare Wheel (excluding Bi-Fuel)	○	○	£250.00	£50.00	£300



# WE'VE GOT YOU COVERED

You might think our shockingly affordable prices mean our cars aren't made to last. Actually, the Dacia range is one tough cookie. To prove it, you get a 3-year\* warranty (or 60,000 miles, if you reach that first). This means we will replace any part which has been deemed by a Dacia approved dealer to be defective due to a manufacturing fault, free of charge. To keep the good times rolling, you can extend your warranty up to 7 years for a great price. We also give you a 2-year paintwork and 6-year anti-corrosion warranty, so you can kick back knowing that your Dacia will stay looking good-as-new for years to come.

## ROADSIDE ASSISTANCE

Although our cars are built for plain sailing, you can rely on us if you have a breakdown – 24/7 365, wherever you are in the UK or Northern Ireland. This offer also stands for the first 3 years/60,000 miles<sup>Δ</sup> after you buy your new Dacia.

## DACIA CAR INSURANCE 1

Dacia Insurance has been specifically created to provide superb protection for you and your car. Unlike most other UK insurers, in the event of an accident, your Dacia will be repaired at a Dacia Approved Bodyshop using only Dacia approved parts and approved repair methods. This maintains your Dacia's safety rating, protects its resale value and helps to maintain its Dacia warranty<sup>^</sup>. Dacia Insurance also offers a courtesy car for the duration of a repair at a Dacia Approved Bodyshop.

**Dacia car insurance: 0330 102 7795 [www.daciacarinsurance.co.uk](http://www.daciacarinsurance.co.uk)**

Lines are open Mon - Thurs 8.30am - 7pm, Fri 9am - 6pm, Sat 9am - 5pm

## SERVICING

Dacia Service Plans are the ultimate hassle free way to take care of your vehicle. Depending on the Service plan you purchase (grid below) your servicing needs are covered and you benefit from;

- Inflation Proof Servicing – You know exactly what you'll pay and there are no hidden costs
- Peace of Mind – No matter where life takes you, we'll be there in over 5000 workshops across Europe
- Dacia Expertise & Quality – Our highly trained technicians know your Dacia inside out

The Dacia Service Plan contains Dacia services in-line with the manufacturer's service schedule, plus comes with a complimentary vehicle health check to ensure your Dacia is in the best condition possible.

SERVICE PLAN <sup>^</sup>	Monthly payments
3 years / 30,000 miles Service Plan	£11.99 per month
4 years / 48,000 miles Service Plan + 1 MOT	£17.99 per month
4 years / 48,000 miles Service Plan + 1 MOT + 1 year extended warranty	£18.99 per month
4 years / 60,000 miles Service Plan +1 MOT + 1 year extended warranty	£24.99 per month

## SERVICE INTERVALS<sup>◇</sup>

Annual servicing **OR** servicing at 18,000 miles (whichever comes first)

Service Schedule <sup>◇</sup>	Year 1	Year 2	Year 3
	Change Cabin Filter	Change Oil + Oil Filter	Change Cabin filter + Brake Fluid
	Year 4	Year 5	Year 6
	Change Oil + Oil filter + Air filter (36k miles) + Spark Plugs (36k miles)	Change Cabin filter + Coolant (90k miles)	Change Oil + Oil Filter + Brake Fluid + Accessory Belt (90k miles)

## DIESEL MODELS ONLY

Annual servicing **OR** servicing at 15,000 miles (whichever comes first)

Service Schedule <sup>◇</sup>	Year 1	Year 2	Year 3
	Change Cabin Filter	Change Oil + Oil Filter	Change Cabin filter + Brake Fluid
	Year 4	Year 5	Year 6
	Change Oil + Oil filter + Air filter (30k miles) + Diesel Filter (30k miles)	Change Cabin filter + Coolant (90k miles)	Change Oil + Oil Filter + Brake Fluid + Timing Belt (90k miles) + Accessory Belt (90k miles)

\*Dacia warranty ends when you reach the age or mileage limit (whichever comes first), from date of registration. Subject to status, terms and conditions apply. For full Dacia Extended Warranty Terms and Conditions visit [www.dacia.co.uk/warranty-and-assistance/warranty](http://www.dacia.co.uk/warranty-and-assistance/warranty)

<sup>Δ</sup>Roadside assistance for the first 3 year / 60,000 miles, which ever is reached first, from date of registration. For full Terms and Conditions visit [www.dacia.co.uk/warranty-and-assistance/assistance](http://www.dacia.co.uk/warranty-and-assistance/assistance)

<sup>†</sup> Dacia Extended warranties are available to purchase from first date of registration up to end of manufacturer warranty. For full Dacia Extended Warranty Terms and Conditions visit [www.dacia.co.uk/warranty-and-assistance/warranty](http://www.dacia.co.uk/warranty-and-assistance/warranty)

<sup>^</sup> The Service Plan to offer is available for eligible vehicles 2024 and valid at participating dealers only. Vehicles must be ordered between 4 April to 3 July and registered by 30 September 2024. The Dacia Service plan covers the manufacturer's minimum maintenance programme requirements for the term of the Service plan purchased (refer to the Warranty and Service sheet in the Handover Document wallet for details). The plan ends when you reach the age or mileage limit (whichever comes first). Services must be carried out in line with the manufacturer's minimum maintenance programme requirements and servicing intervals within +/- 1 month or 1,000 miles of the service interval and can only be carried out at a Dacia Approved outlet. Service plans do not cover wear and tear items such as (but not limited to) tyres, wiper blades or brakes. For Service plan full Terms & Conditions visit [www.dacia.co.uk/services-and-finance/service-plan](http://www.dacia.co.uk/services-and-finance/service-plan). Cannot be part exchanged, refunded or transferred.

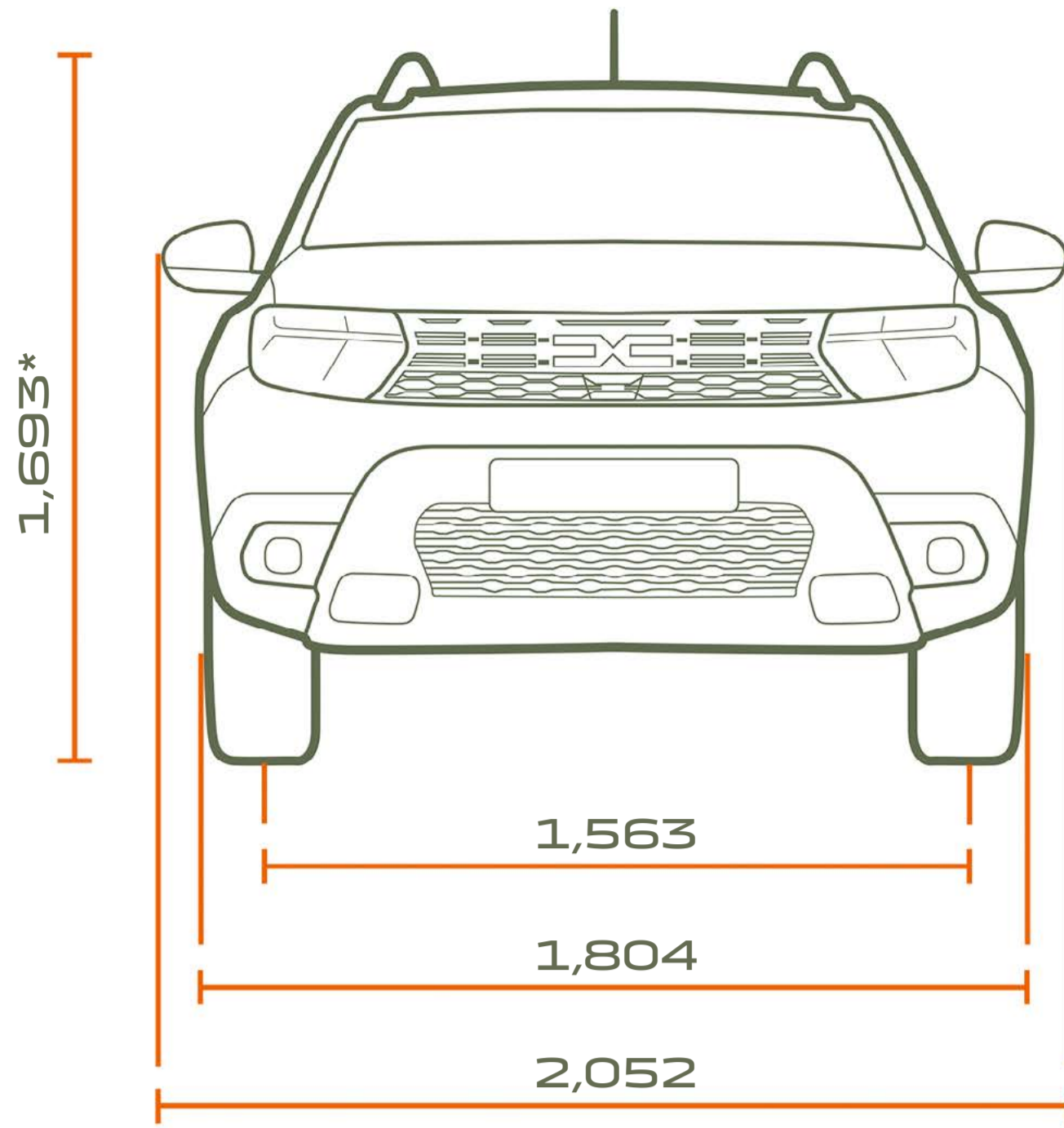
<sup>◇</sup> The service schedule / intervals are specific to the version and derivative of vehicle. Check with your Dacia retailer to confirm the service schedule / intervals as the above is an indicative guideline.

<sup>1</sup> Dacia Insurance is arranged and administered by Verex Insurance Services Ltd, which is registered in England and Wales No. 05686831 at Batchworth House, Church Street, Rickmansworth, Herts, WD3 1JE and authorised and regulated by the Financial Conduct Authority, No. 487185. Verex Insurance Services Ltd arranges policies from a panel of insurers, details are available on request.

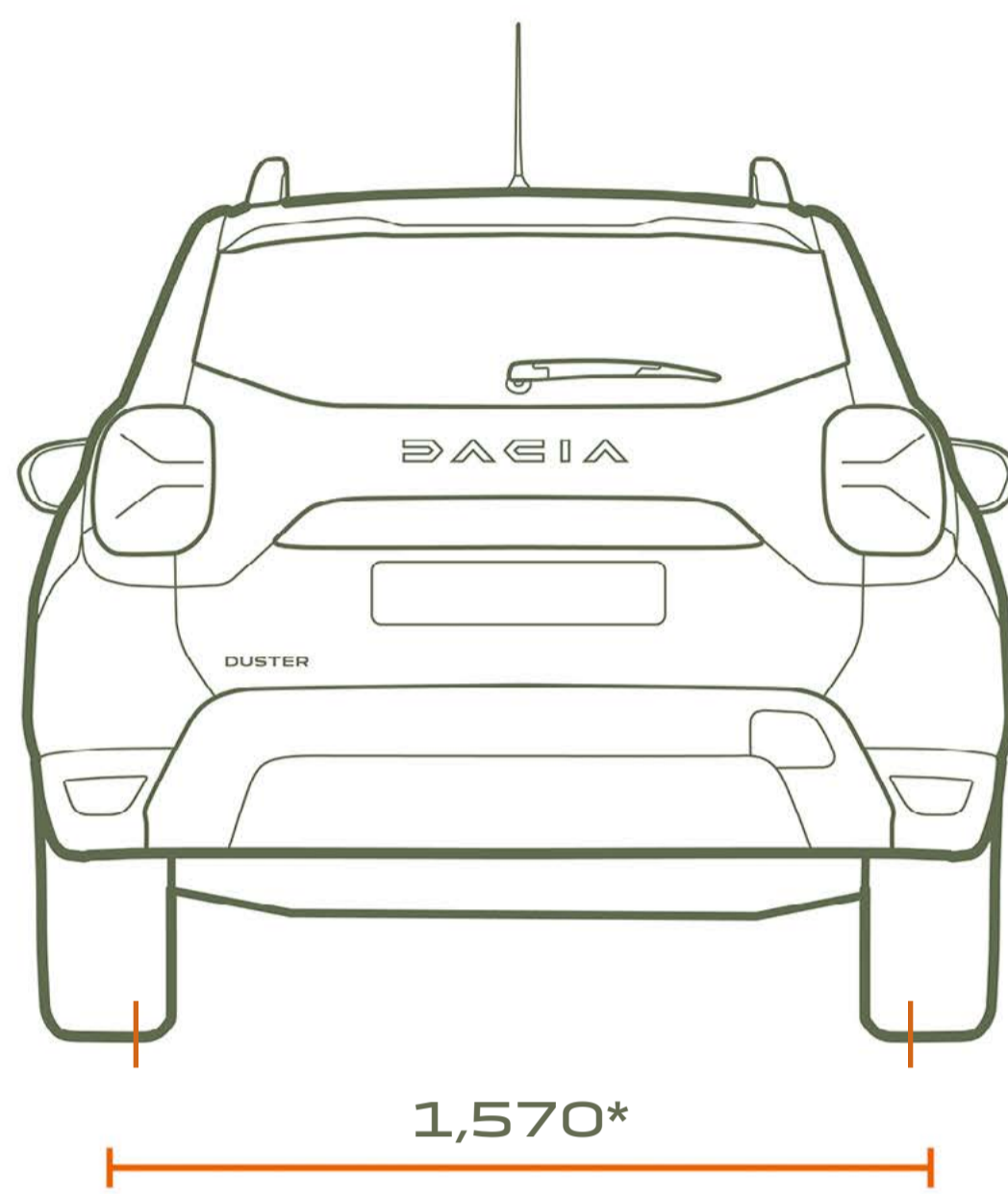
<sup>^</sup>If your insurer uses non-approved parts which subsequently fail, they may not be covered under your manufacturer's warranty.



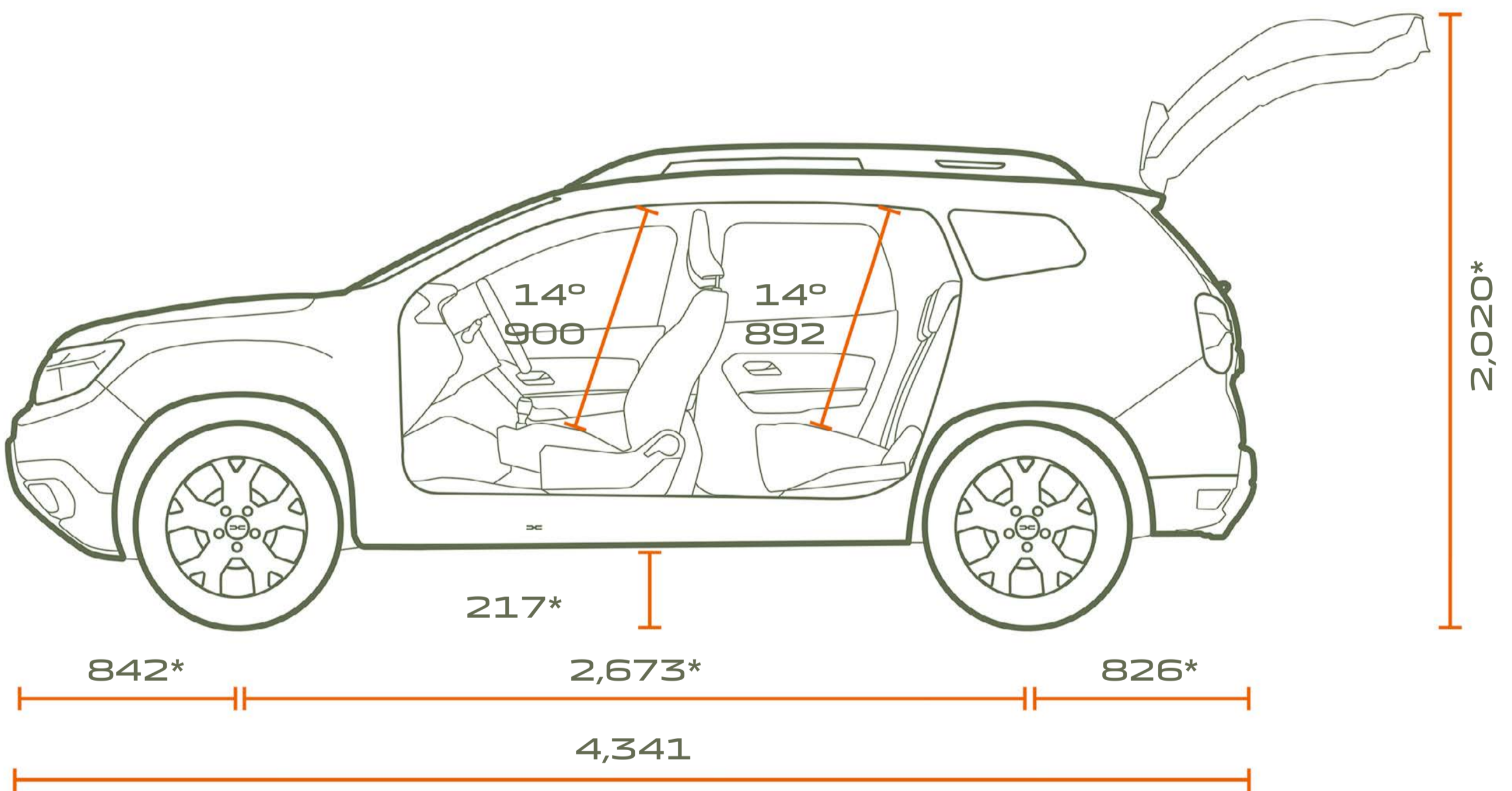
# DIMENSIONS



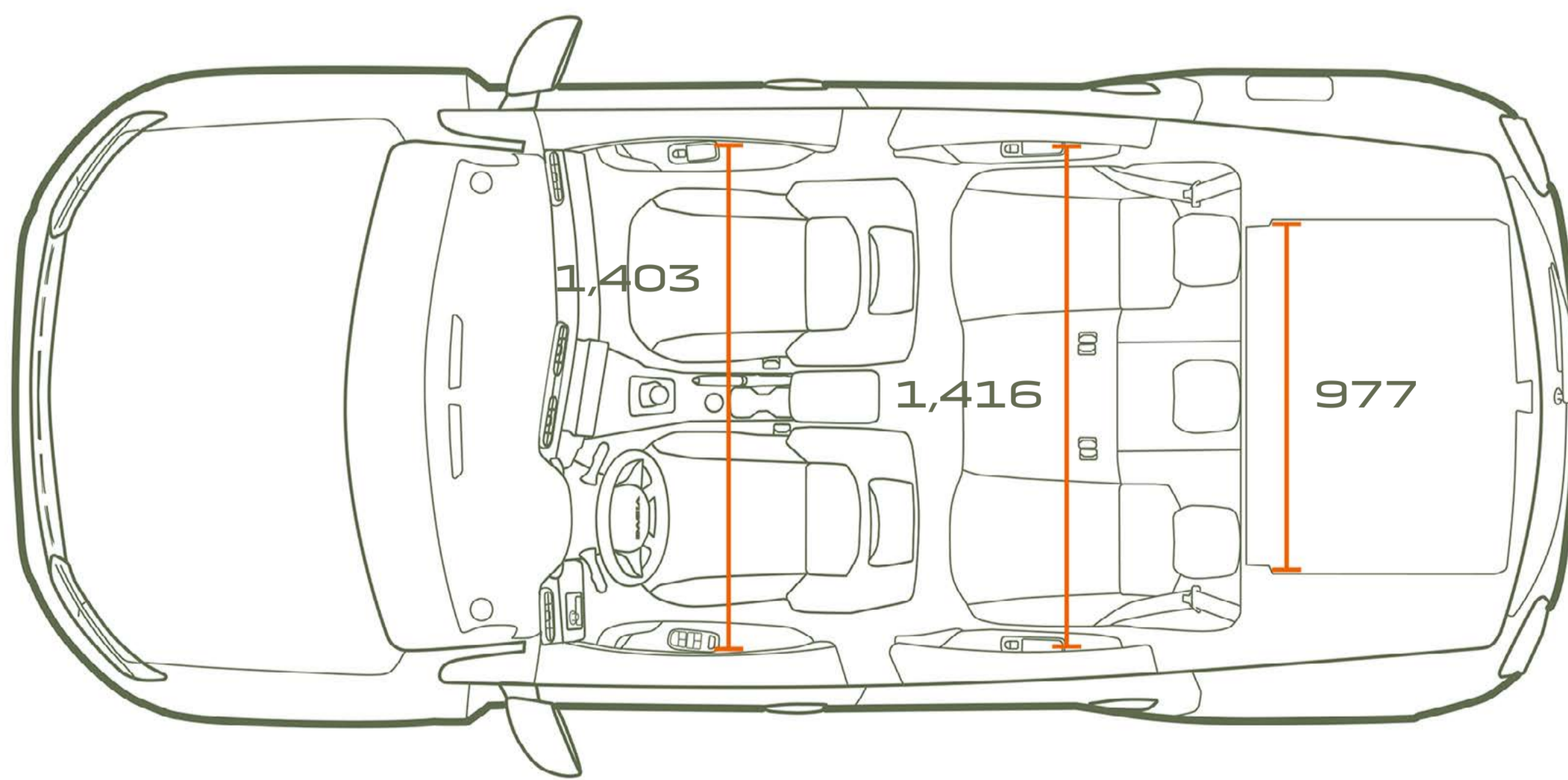
**FRONT VIEW**



**REAR VIEW**



**PROFILE VIEW**



**TOP VIEW**

**BOOT (L)**

Min. boot volume under luggage space cover with spare wheel	478
Max. boot volume with rear bench seat folded down with spare wheel	1,623

Dimension in mm.  
 \*Version 4x2.  
 \*\*Version 4x4



# AN INCREDIBLE SUCCESS STORY

At Dacia, we offer practical and robust vehicles at the best price. Our models have a distinctive style without unnecessary frills, equipped with the most reliable and approved technologies, all at an unbeatable price. In just fifteen years, we have changed the game and disrupted the automotive market.





# TO GO FURTHER

[CLICK AND CONFIGURE](#)[BOOK A TEST DRIVE](#)[FIND YOUR DEALERSHIP](#)

Access the DACIA  
Facebook account



Access the DACIA  
Twitter account



Access the DACIA  
Instagram account

The contents of this brochure were accurate and up-to-date at the time of publication. This document was produced based on pre-series or prototype vehicles. As part of its policy of continuous product improvement, Dacia reserves the right, at any time, to make changes to the specifications and vehicles and accessories described and illustrated. These modifications are notified to Dacia dealers as soon as possible. Depending on the country of sale, versions may differ, and some equipment may not be available (as standard, optional, or accessory). Please consult your Dacia representative for the most up-to-date information. Due to the limitations of printing, the colors shown in this document may slightly differ from the actual paint colors or interior trim materials. All rights reserved. Reproduction, in whole or in part, of this brochure in any form or by any means is prohibited without the prior written authorization of Dacia.

Dacia recommends 

PUBLICIS – PHOTO CREDITS: ADDITIVE, BAM, P. CURTET, MARC & DAVID, H. PICARD, ©RENAULT MARKETING 3D-COMMERCE – APRIL 2024