

# DACIA JOGGER



# BIGGER, COOLER, JOGGER

Featuring the length of an estate, the spaciousness of an MPV and the robust style of an SUV, Dacia Jogger surprises by combining the best of these categories in a 7-seater family car. Versatile, elegant and affordable, Jogger fully embodies the Dacia spirit.



---

**UP TO 1819 dm<sup>3</sup>  
OF BOOT  
VOLUME**

---

**3 COMPREHENSIVE  
MULTIMEDIA  
OFFERINGS**

---

**140 HP FULL  
HYBRID ENGINE<sup>(1)</sup>**

---

**7 SEATER**

---

**EXTENDED GRIP  
FUNCTION<sup>(2)</sup>**

(1) Also available as TCe 110 Petrol engine.

(2) Available on the EXTREME level version.

# INTERACTIVE MENU

**01. DESIGN**

**02. DRIVING PLEASURE**

**03. INTERIOR SPACE**

**04. CONNECTIVITY**

**05. DRIVER ASSISTANCE  
SYSTEMS**

**06. EQUIPMENT AND  
ACCESSORIES**

## DESIGNED FOR ADVENTURE

Elevated ground clearance marked wheel arches, and modular roof bars - Dacia Jogger boasts a robust design that adapts to all roads, designed for an action-packed family life.

Experience the adventure to the fullest with its EXTREME level, with an even more pronounced outdoor spirit: Copper Brown mirrors, alloy wheels, and a shark fin antenna coated in Glossy Black. A unique style signed by distinctive elements with topographical patterns for better identification.



In keeping with the times, the new model's Y-shaped brand light confirms its kinship with the new Dacia generation. The LED dipped headlights provide more intense lighting at night. At the rear, the vertical positioning of the lights broadens the tailgate opening, optimizing boot access.



**Alloy wheels and topographical pattern stickers**



**Copper-Brown door mirror shells**



**Copper-Brown Dacia logo on the tailgate**

# MUCH MORE THAN FUNCTIONAL

Dacia Jogger's interior design is as functional as it is attractive. Its wide dashboard and sleek transverse textile strip<sup>(1)</sup> accentuate the impression of space. The lower area provides easy access to the air conditioning and driver assistance system controls. The rear boasts impressive versatility.

For a 100% elegant and dynamic style, allow yourself to be won over by its new EXTREME finish: washable MicroCloud plastic-coated fabric strip and upholstery with Copper Brown top-stitching and embossed Dacia emblem, Copper Brown front door mouldings, rear view camera, climate control, hands-free card, rubber floor mats and front door sills with topographic motifs.



And to prolong your escapade, get off the beaten track with the Extended Grip function, which increases traction on difficult roads (fresh snow, sand, mud, etc.).



**Extended Grip Button**

(1) Depending on versions.

[CONFIGURE AND ORDER](#)

[MENU](#) ^

## TAKE ADVANTAGE OF JOGGER IN HYBRID VERSION

Once again, Dacia is in tune with the times and simplifies your daily life with Jogger available with a hybrid powertrain. A first for Dacia. The result? A family hybrid with 7 seats at an affordable price.



On board, the atmosphere and technologies make your journey pleasant: automatic gearbox for easy and smooth driving, 7" color meter, high central console with armrest and electric parking brake. With Jogger HYBRID 140, enjoy innovative equipment and optimized comfort.



Multimode gearbox

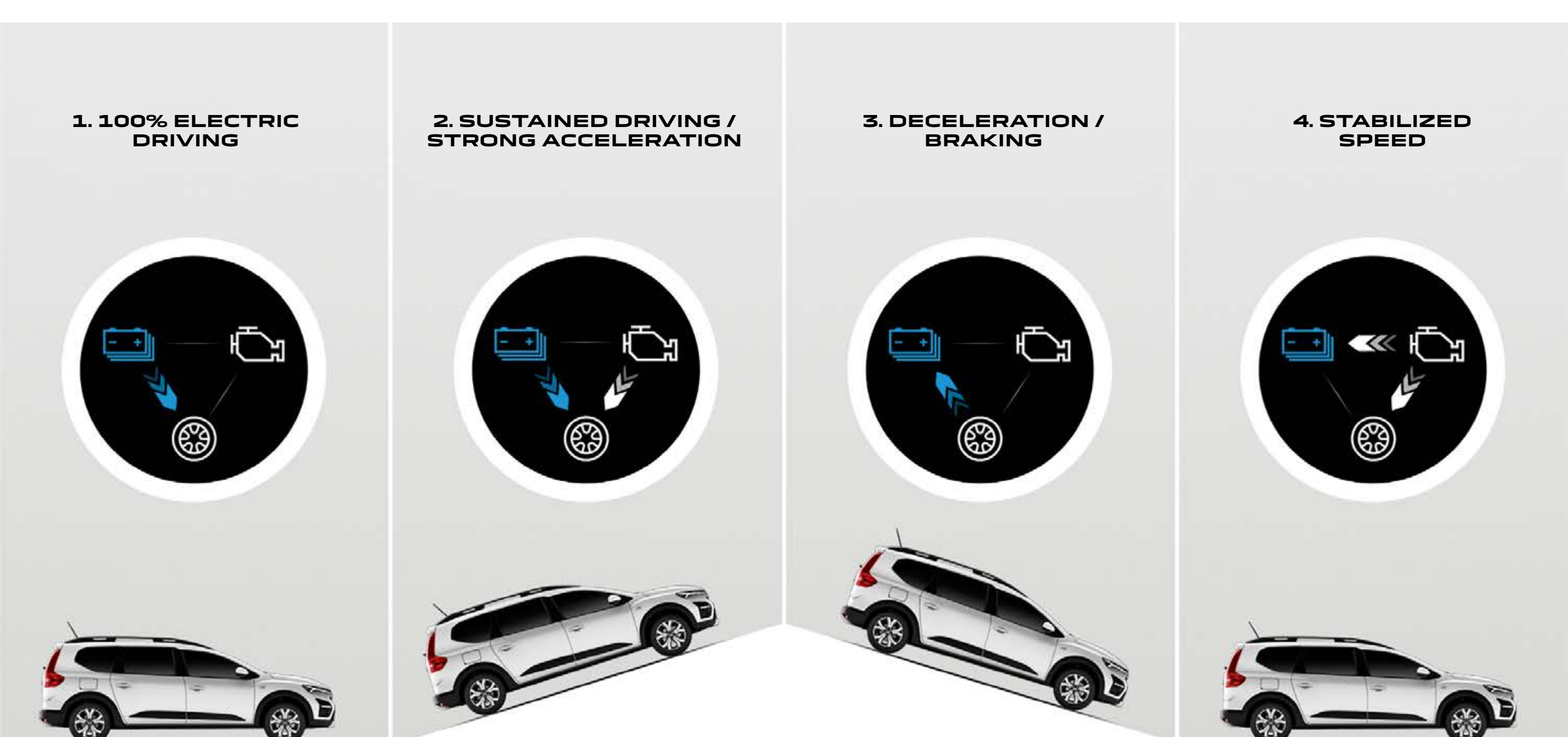


7" Colour cluster with driving mode information

# IN HYBRID, DISCOVER MORE FREEDOM

Forget about the connections while enjoying the benefits of electric thanks to the hybrid that recharges while driving. The technology of Dacia Jogger HYBRID 140 combines the dynamism of a thermal engine with that of an electric engine. Drive in urban areas in electric mode up to 80% of the time and achieve up to 40% fuel savings<sup>(1)</sup>.

In addition to reduced CO<sub>2</sub> emissions, you will also benefit from restricted usage and maintenance costs. The multimode gearbox offers intelligent management of the two engines for powerful, smooth and quieter driving. Hybrid is simple with Dacia.



1. 100% electric driving: only the electric motor drives the wheels.
2. Sustained driving / strong acceleration: the thermal and electric motors operate simultaneously.
3. Deceleration / braking: the electric motor recharges the battery.
4. Stabilized speed: the thermal engine operates at its optimal speed to drive the wheels and recharge the battery.

(1) Depending on driving conditions.

[CONFIGURE AND ORDER](#)

[MENU](#) ^

## COMFORT MULTIPLIED BY 7

Dacia Jogger embraces the whole family: it takes everyone's needs into account, offering the same level of comfort in all rows. The sculpted seats – adjustable at the front – promise fatigue-free travel for all seven occupants. Dacia Jogger also stands apart through well thought-out details and spaciousness.



In the second row, everything is designed to evolve with your family: sliding aeroplane shelves<sup>(1)</sup> with cup holders and ultra-practical Isofix attachments for child seats. Record accessibility in the third row, where two individual seats with armrests uncompromisingly accommodate two adults with generous knee room. Storage spaces are distributed throughout the passenger compartment for the benefit of all passengers. Dacia Jogger adds a new dimension to your on-board experience.



**Rear sliding and folding aeroplane shelves<sup>(1)</sup>**

(1) Depending on version.



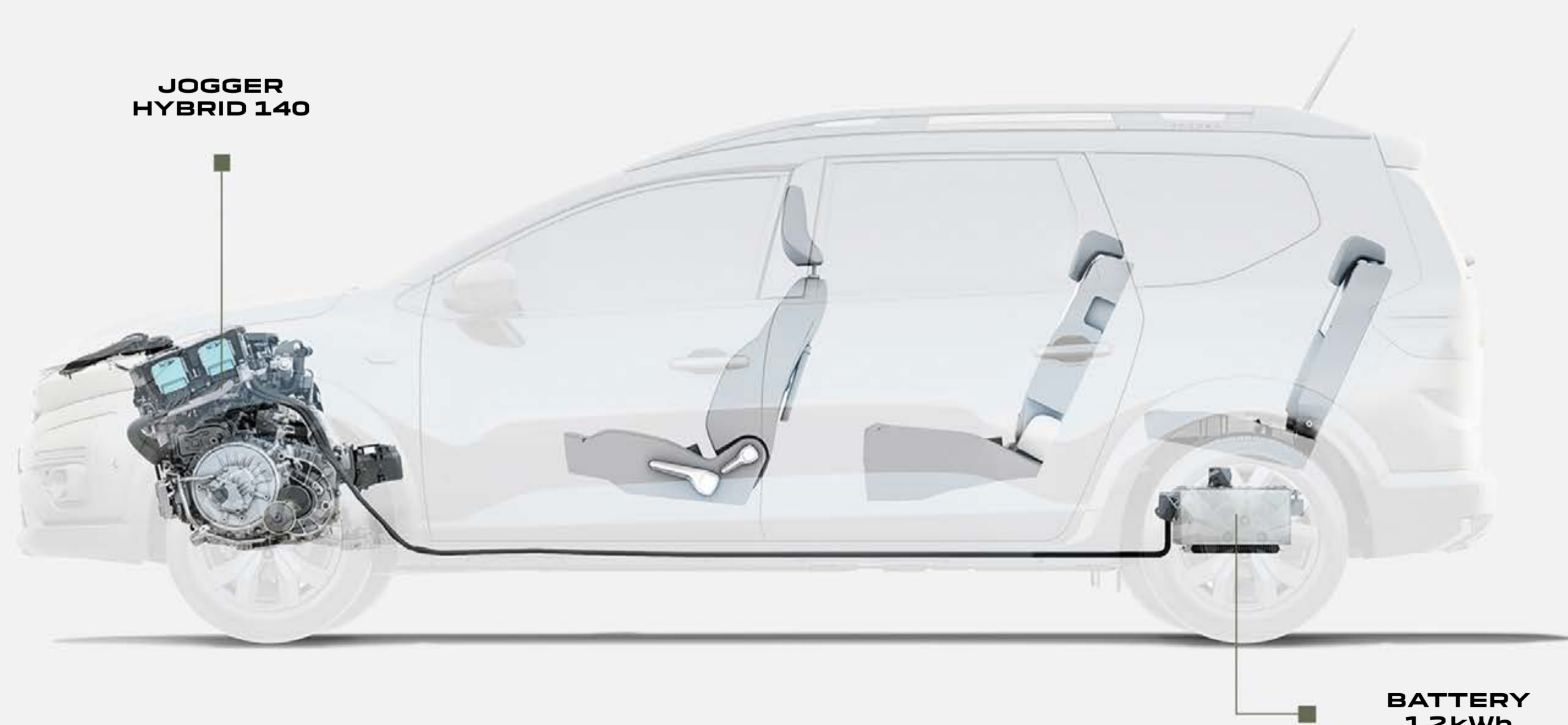
## RECORD MODULARITY

Dacia Jogger as a versatile car that offers a unique volume and versatility. The third-row rear seats are removable in the 7-seater version, the 3-seater bench is foldable 1/3-2/3 in the second row, and multiple configurations are possible in 2, 3, 4, 5, 6 or 7 seats according to your needs. A true Swiss Army knife!



When it comes to luggage space, enjoy a volume of up to 2,085 liters and a loading height that can accommodate everything you take with you. And in its hybrid version, there is no compromise on space, thanks to the clever placement of the battery under the floor.

Trust Jogger to simplify your adventures.



**As spacious and with same options of modularity as the other versions**

## ESCAPE INTO THE NIGHT

Get closer to nature with the Sleep pack, which is part of our Dacia InNature offer. Consisting of a 3-in-1 box, this pack includes a fold-out bed that is easy to install. In less than two minutes, turn your Dacia Jogger into a bedroom for two.



Get a good night's sleep on a 190x130cm mattress. Blackout blinds provide privacy as well as darkness. Whether the bed is folded out or not, the 220-litre storage compartment remains unaffected. Having a picnic is easy thanks to the removable rear shelf. Do you need a more spacious base camp? An external tent can be connected to Jogger when the trunk is open. Discover a new form of adventure. The Sleep pack is compatible with all versions of Jogger.



**Opaque blackout blinds**



**Smart tent that can be connected to the Jogger**

[CONFIGURE AND ORDER](#)

[MENU](#) ^

## SELECT YOUR MULTIMEDIA PREFERENCES

Dacia Jogger has three comprehensive multimedia offers, so it's up to you to choose what you want: the clever new Media Control, controlled from your smartphone and integrated into the design of the dashboard, allows you to control the radio, music, Bluetooth® connection, USB and telephony. Media Display adds voice recognition to its 8" touchscreen. Media Nav supplements its features with built-in navigation.



The system of your choice provides the essentials and more, right up to AndroidAuto™ and Apple CarPlay™ compatibility. The latter is available wired on Media Display and with Wi-Fi on Media Nav. You can also enjoy enhanced sound with six speakers located throughout the cabin, available on Media Nav.



**New Media Control**



**Media Display**

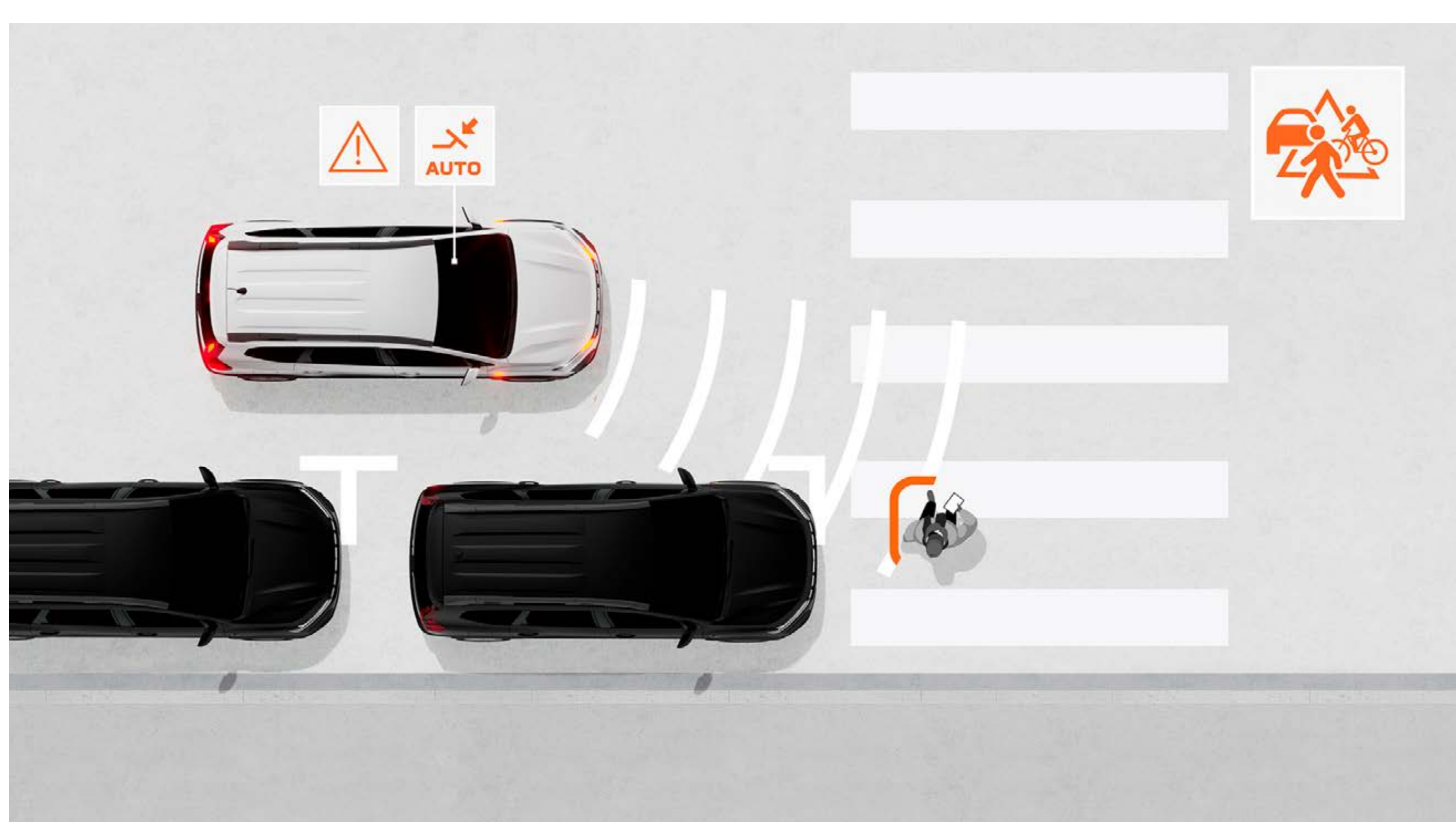
Android Auto™ is a Google Inc. brand.  
Apple CarPlay™ is an Apple Inc. brand.

[CONFIGURE AND ORDER](#)

[MENU](#) ^

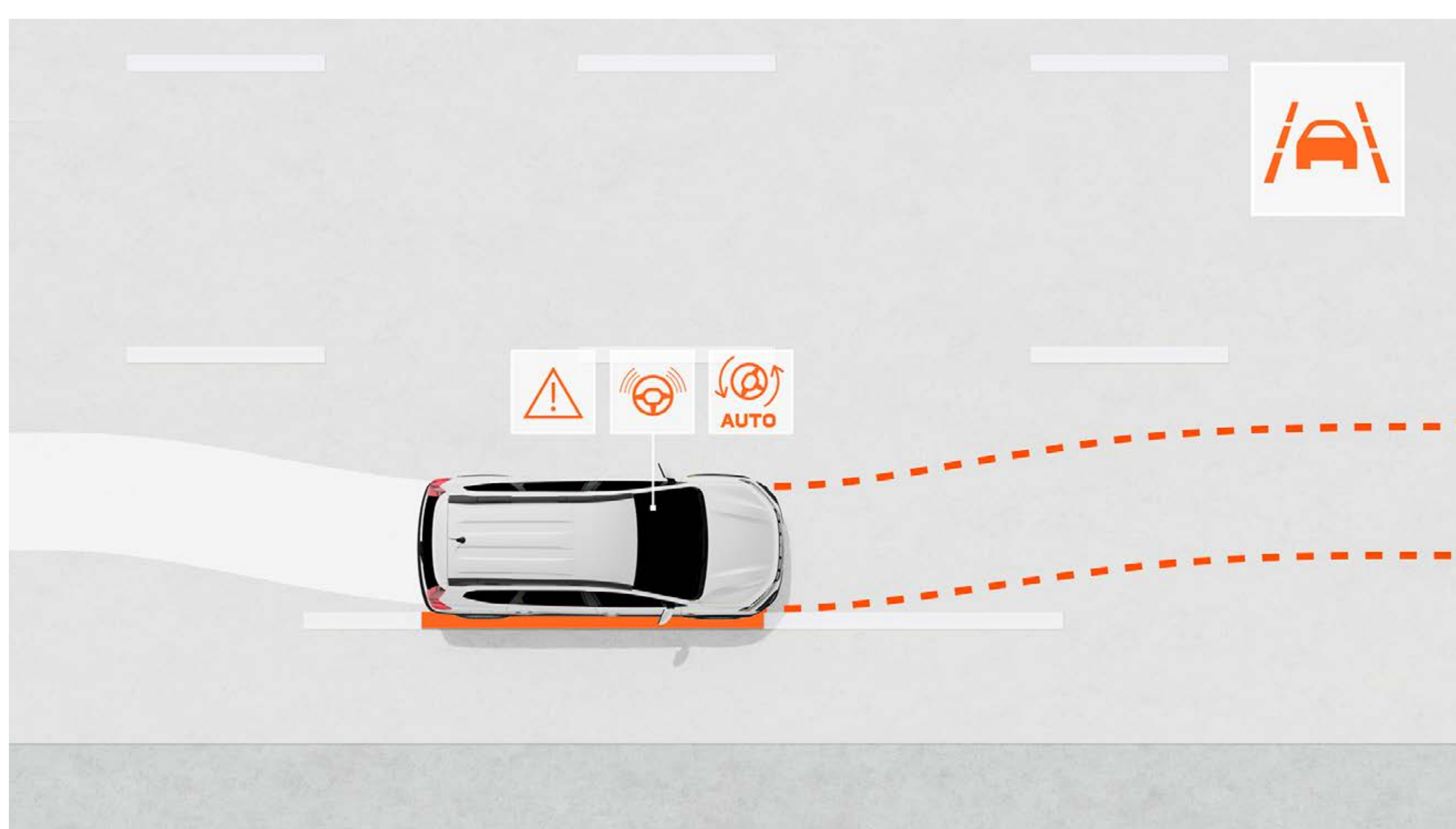
# DRIVE IN COMPLETE SAFETY

At Dacia, safety has always been at the heart of our concerns. Built on the latest platform designed for our vehicles, Dacia Jogger has a reinforced body structure and new-generation assistance systems. Using the My Safety button you can deactivate some of these aids. With Dacia, drive with peace of mind.



## AUTOMATIC EMERGENCY BRAKING WITH PEDESTRIAN/CYCLIST DETECTION

This system prevents the risk of frontal collisions involving other vehicles, pedestrians or cyclists straight ahead and at junctions. It alerts the driver and can automatically brake the vehicle if necessary.



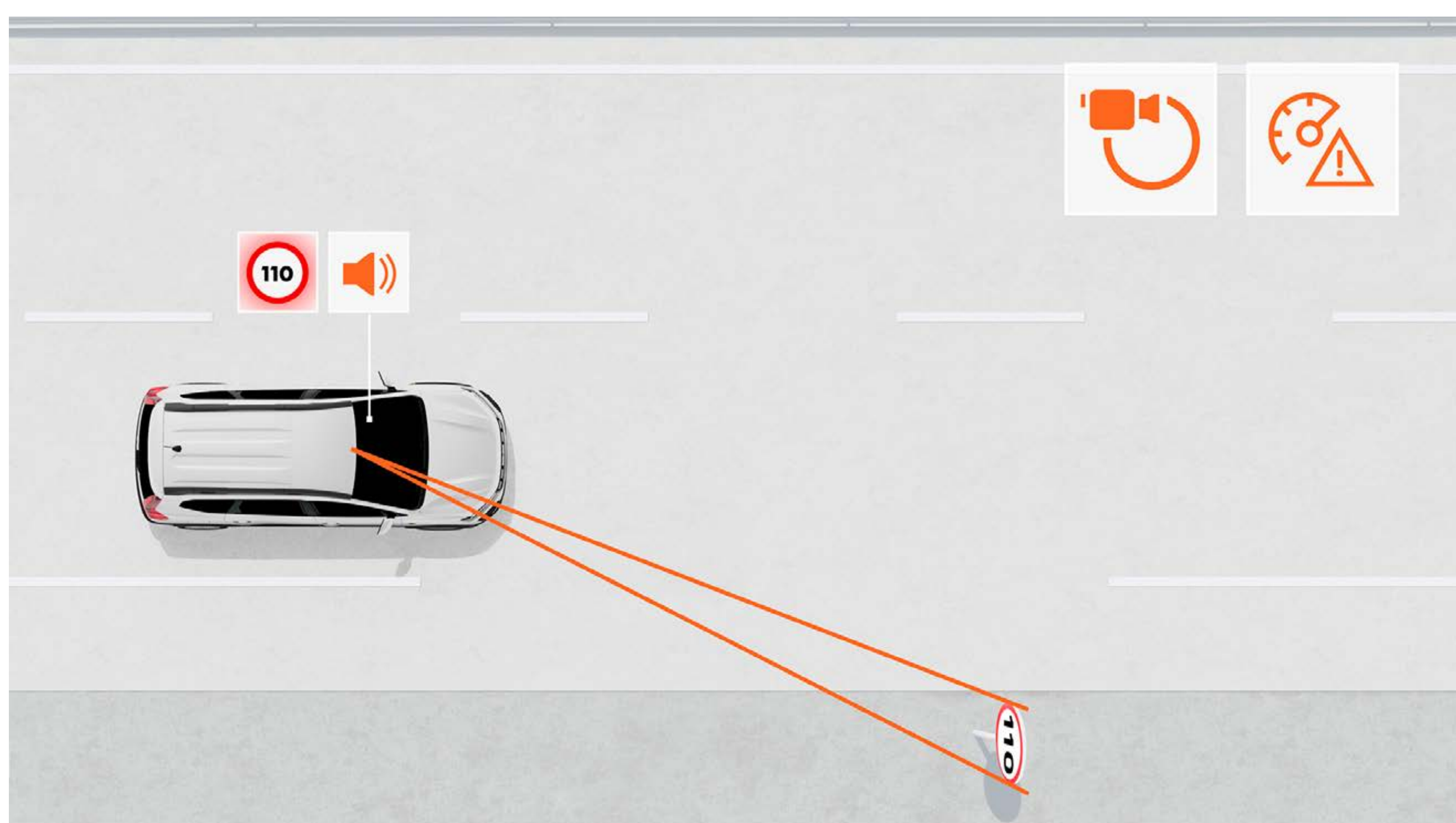
## LANE KEEPING ASSIST

This assistance system (which can be disabled) monitors the vehicle's path in its lane and corrects it if necessary by automatically steering it.



## DRIVER FATIGUE DETECTION SYSTEM

This helps warn the driver if fatigue is detected by analysing several parameters – including movements of the steering wheel – to encourage them to take a break.



## TRAFFIC SIGN RECOGNITION WITH SPEED ALERT

This system provides a reliable real-time indication of the maximum speed on the road and warns the driver if they exceed the speed limit with visual and audible alerts (which can be disabled).

# **DISCOVER THE EQUIPMENT**



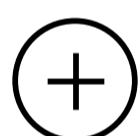
**COLOUR PALETTE**



**AMBIANCES**



**ACCESSORIES**



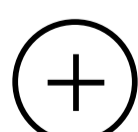
**ENGINES**



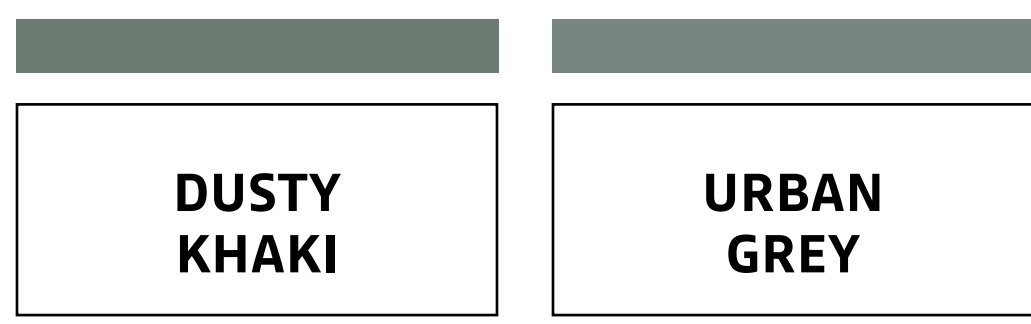
**EQUIPMENT ET OPTIONS**



**DIMENSIONS**



## 06. COLOUR PALETTE



**TERRACOTTA BROWN<sup>(1)\*</sup>**



**CEDAR GREEN<sup>(1)\*</sup>**



**GLACIER WHITE<sup>(2)</sup>**



**PEARL BLACK<sup>(1)</sup>**



**SHADOW GREY<sup>(1)</sup>**



**DUSTY KHAKE<sup>(2)\*</sup>**



**URBAN GREY<sup>(2)\*</sup>**

(1) Metallic paint. (2) Opaque paint. \* Not available on ESSENTIAL.  
Non-binding photos.

ESSENTIAL      EXPRESSION      EXTREME

### COLOUR AVAILABILITY

	ESSENTIAL	EXPRESSION	EXTREME
<b>SOLID PAINT</b>			
369 Glacier White	○	○	○
<b>METALLIC PAINT</b>			
676 Pearl Black	○	○	○
KQG Shadow Grey	○	○	○
CNZ Terracotta	-	○	○
DQK Cedar Green	-	○	○
<b>SPECIAL PAINT (PRICED AS METALLIC)</b>			
KPW Urban Grey	-	○	○
KQM Dusty Khaki	-	○	○

○ = Optional. - = Not available.

## 06. AMBIANCES

### ESSENTIAL



### MAIN EQUIPMENT ESSENTIAL

#### EXTERNAL APPEARANCE

- Black grille with Dacia logo and white Stepway inscription
- LED signature light
- Automatic LED daytime running lights
- 16" Atara Flexwheels
- Body-coloured front/rear bumpers
- Megalith Grey front/rear skid plates
- Black exterior door handles
- Black door mirrors
- Modular longitudinal roof bars (Megalith Grey)

#### INTERIOR DESIGN

- Black air vent surrounds with orange centre
- Black interior door handles
- Rear bench with 1/3-2/3 folding and split function
- Specific stepway upholstery with contrast stitching

#### ACTIVE AND PASSIVE SAFETY

- "My Safety" button to manage driving aids
- Anti-lock Braking System (ABS) and Emergency Brake Assist (EBA)
- Automatic emergency braking (AEBS) with pedestrian/cyclist detection
- Electronic Stability Control (ESC) with Hill Start Assist (HSA)
- Emergency call (E-call)
- Event (accident) data recorder
- Alcohol immobiliser predisposition
- Traffic sign recognition with speed alert/Intelligent Speed Assist (ISA)
- Lane Departure Warning (LDW) + Lane Keep Assist (LKA)
- Driver attention alert
- Front/rear "Rescue Code®" QR Code
- Driver's front airbag/deactivatable passenger front airbag
- Shoulder and curtain side airbags
- Rear parking sensors
- Tyre pressure monitor
- Tyre inflation kit

- Isofix child seat mounting system on rear outer seats
- Front and rear lateral seat belts with pre-tensioner and load limiter

#### DRIVING AND CONTROLS

- Electrical power-assisted steering
- Stop & Start, ECO Mode
- On-board computer: distance travelled, average speed, range, average consumption (including LPG for Bi-Fuel versions)
- Rain and light sensors
- Cruise control and speed limiter with audible warning

#### VISIBILITY

- Door mirrors with interior manual adjustment

#### COMFORT

- Manual heating and air conditioning system
- Remote central locking of doors and automatic locking when driving
- Front electric driver and passenger windows
- Rear 12 V socket in boot
- Height and depth- adjustable steering wheel
- Height adjustable driver seat

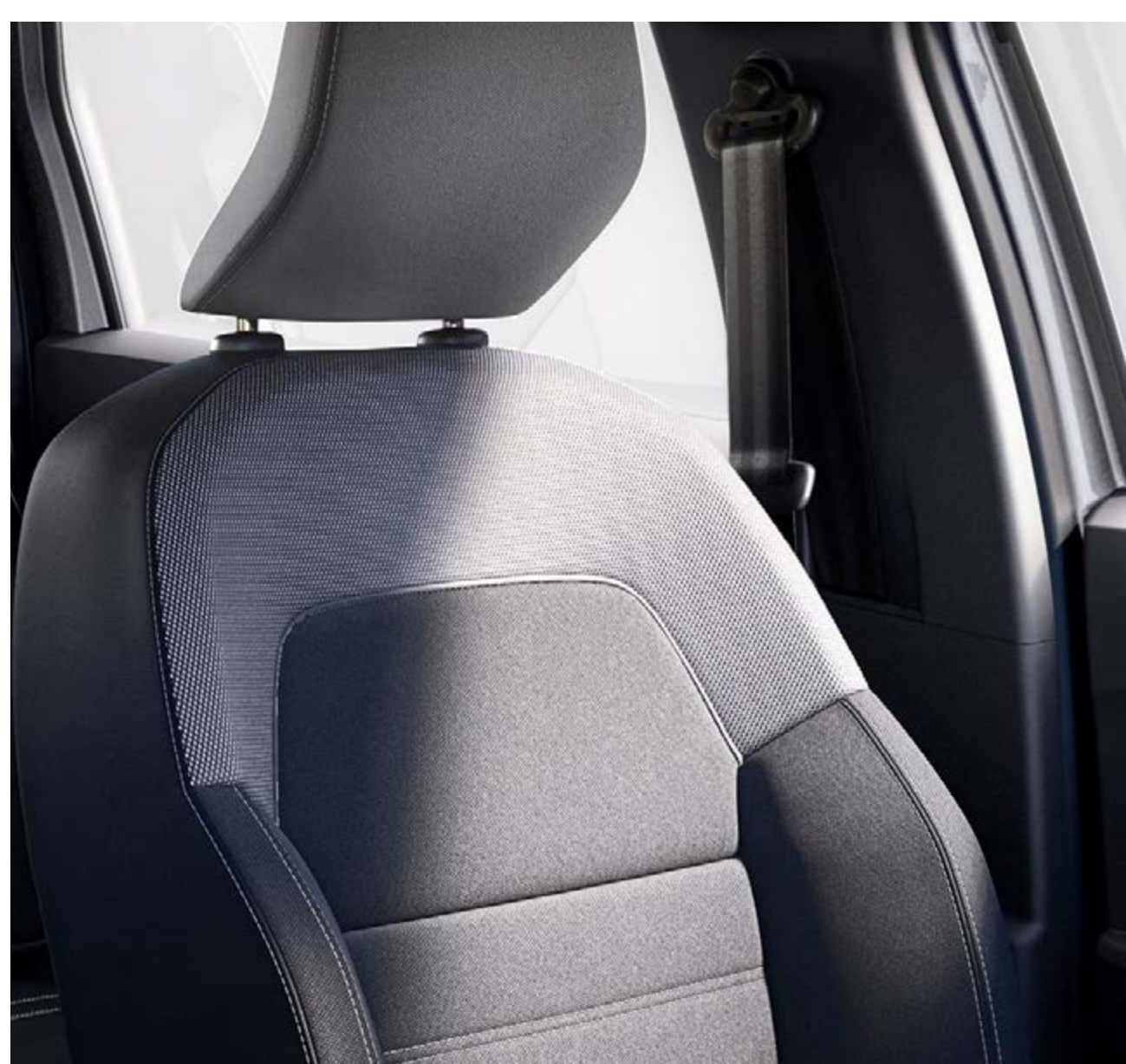
#### MULTIMEDIA AND AUDIO

- New Media Control: DAB radio with steering wheel controls, jack socket and 2 speakers, Bluetooth® telephone system with satellite controls on the steering wheel, fixed smartphone holder on the dashboard, new Dacia Media Control smartphone app

#### OPTION

- Spare wheel
- Paint colours available in Glacier White (Solid), Pearl Black (Metallic), and Shadow Grey (Metallic)

## EXPRESSION



### MAIN EQUIPMENT EXPRESSION = ESSENTIAL +

#### EXTERNAL APPEARANCE

- Body coloured exterior door handles
- Body coloured door mirrors
- Specific decal on front doors
- Side protection stickers
- 16" Atara flexwheel

#### INTERIOR DESIGN

- Fog Grey air vent surrounds with orange centre
- Steel Grey interior door handles
- Fabric lining on the dashboard and front door armrests
- Soft feel adjustable for height and depth steering wheel

#### ACTIVE AND PASSIVE SAFETY

- Rear-parking sensor and reversing camera

#### VISIBILITY

- Front fog lights
- Electrically adjustable door mirrors

#### COMFORT

- 4 electric windows, with driver's side one-touch control
- Keyless entry
- Automatic windscreen wipers

#### MULTIMEDIA & AUDIO

- Media Display: multimedia system with 8" touchscreen, DAB digital radio, smartphone mirroring via USB cable, Bluetooth® connection, satellite controls on steering wheel, 4 speakers and 1 USB-A socket

#### OPTIONS

- Metallic or special paint
- Spare wheel (Not available on HYBRID 140 versions)



## EXTREME



### MAIN EQUIPMENT EXTREME = EXPRESSION +

#### EXTERNAL APPEARANCE

- Specific outdoor design with door protectors and decals with topographic design
- Copper finish: exterior door mirrors, "Stepway" inscription on roof bars, decorative trim on fog lights
- 16" Mahalia black alloy wheels
- Shark fin aerial

#### INTERIOR DESIGN

- EXTREME specific upholstery with washable TEP MicroCloud fabric, with Copper stitching and embossed Dacia logo
- Copper decoration: decorative strips on the door panels
- Washable TEP MicroCloud fabric coating on the dashboard and on the front door armrests
- Front + rear rubber floor mats with topographic patterns

#### ACTIVE AND PASSIVE SAFETY

- Blind spot warning
- Front and rear parking sensors with reversing camera

#### DRIVING AND CONTROLS

- Extended Grip function

#### COMFORT

- Automatic heating and air conditioning system
- Modular boot with twin-level floor
- Electric parking brake and high central armrest with storage
- Rear USB-C socket
- Heated front seats

#### MULTIMEDIA & AUDIO

- Removable phone holder
- Media Nav with inbuilt navigation, Android Auto™ and Apple CarPlay™ compatibility with smartphone replication, Bluetooth® connection, DAB radio with 8" touchscreen and 6 speakers and 1 USB-A socket

#### OPTIONS

- Metallic paint
- Spare wheel (Not available on HYBRID 140 versions)

## 06. ACCESSORIES

### STYLE PACK (ESSENTIAL & EXPRESSION)

£399 inc. fitting



Roof spoiler



Shark fin aerial



Illuminated door sills

### STYLE PACK (EXTREME)

£210 inc. fitting



Roof spoiler



Boot sill

### SIDE STEP PACK

£608 inc. fitting



Side steps

### PROTECTION PACK

£140 inc. fitting



Boot mat



Boot sill

### ROOF BOX PACK



400L roof box

480L roof box

£329

£389

### DASH CAM PACK

£344 inc. fitting



Front and rear dashcam

### STORAGE PACK

£157



Boot storage box



Magnetic phone holder



Rear tray table & fixings

Storage pack + available with 2 tray tables & fixings £259

### CYCLE PACK

£340



2 x adaptors for modular roof bars, 2 x bike carriers for roof

### PET PACK

£336 inc. fitting



Separation grid



Modular boot liner

### TOW BAR PACK



Swan neck towbar 13 pin

Removable towbar 13 pin

£644 inc. fitting

£724 inc. fitting

### PREMIUM DELIVERY PACKS



Premium mats



Safety kit



Key card wallet



Rubber boot mat

### PREMIUM DELIVERY PACK

£100

Premium mats

Safety kit

Key card wallet

### PREMIUM DELIVERY PACK+

£165

Premium mats

Safety kit

Key card wallet

Rubber boot mat

All accessories purchased prior to vehicle registration come with a 3 year manufacturers warranty  
Accessories are fitted post production and may have an impact on WLTP fuel (actual) consumption and CO<sub>2</sub> figures

DOWNLOAD  
THE ACCESSORIES BROCHURE

## 06. IN NATURE ACCESSORY PACKS

### SLEEP PACK +

£1,815



Blackout blinds, Seat storage bag, Sleep pack frame & mattress

### SLEEP PACK ULTIMATE

£2,165



Blackout blinds, Seat storage bag, Tailgate tent, Sleep pack frame & mattress

### PRIVACY PACK

£249



Blackout blinds, Seat storage bag

### CAMPING PACK

£599



Blackout blinds, Seat storage bag, Tailgate tent

All accessories purchased prior to vehicle registration come with a 3 year manufacturers warranty  
Accessories are fitted post production and may have an impact on WLTP fuel (actual) consumption and CO<sub>2</sub> figures

[DOWNLOAD THE ACCESSORIES BROCHURE](#)

## 06 ENGINES

HYBRID 140

TcE 110

ENGINES			
Energy	Petrol	Electric	Petrol
Max. power kW EEC (hp) at engine speed of (rpm)		105kW (140) at 5,600 rpm	81 kW/5,000-5,250 rpm
Maximum torque Nm EEC (m.kg) at an engine speed of (rpm)		148 Nm at 3,400 rpm + 205 Nm electric	200 Nm/2,900-3,500 rpm
Gearbox type	Automatic multimode		Manual
Injection type	Indirect atmospheric injection	-	turbo direct injection
Capacity (cm <sup>3</sup> )	1,598	-	999
Number of cylinders/valves	4/16	-	3/12
Emission control standard	Euro6 D-final		

## BATTERIES

Traction battery Lithium-ion / 230 V / 1.2 kWh

## CHASSIS AND STEERING

Tyre size	205/60 R16 92H		
Steering - Turning circle between kerbs	11.7		
Front suspension	Pseudo McPherson with lower wishbone, spiral spring suspension with telescopic hydraulic shock absorbers and anti-roll bar		
Rear suspension	Semi-rigid axle with anti-roll bar spring suspension and telescopic hydraulic shock absorbers		

## PERFORMANCE

Top speed (mph)	104	108
0-62 mph (s)	10.0	11.2
Mid-range acceleration: 50 mph - 75 mph (s) in 4th	8.8	8.9

## FUEL CONSUMPTION AND EMISSIONS<sup>(1)</sup>

Certification protocol	WLTP <sup>(2)</sup>	
Fuel tank capacity (l)	50	50
CO <sub>2</sub> emissions (g/km) Best case - Worst case	108/109	132
Consumption over combined cycle (l/100 mpg) Best case - Worst case	57.6/58.9	47.9/48.7

## DIMENSIONS AND WEIGHTS

Minimum curb weight in running order	1,385	1,205
Maximum kerb weight in running order	1,406	1,261
Gross train weight (GTW)	2,745	3,062
Gross vehicle weight (GVW)	1,862	1,862
Max. braked towing weight	750	1,200

(1) Official consumption and emissions according to applicable regulations. (2) WLTP (Worldwide Harmonized Light Vehicle Test Procedures): this new protocol provides results much closer to those found in daily use compared to the NEDC protocol. CO<sub>2</sub> emissions are certified using a standard, regulated method. This method is identical for all manufacturers and enables vehicles to be compared.

[CONFIGURE AND ORDER](#)

[MENU](#) 

## 06. EQUIPMENT & OPTIONS

	ESSENTIAL	EXPRESSION	EXTREME
<b>EXTERNAL APPEARANCE</b>			
Brand light and automatic LED daytime running lights	•	•	•
Black grille with white Dacia logo	•	•	•
Dacia rear lettering	White	White	Copper
Front/rear bumpers	Body-coloured	Body-coloured	Body-coloured
Front and rear skid plates	Black	Megalith Grey	Megalith Grey
Side protection stickers / snorkel-type sticker	-/-	Black/-	Topographic pattern / •
Exterior door handles	Black	Body-coloured	Body-coloured
Door mirrors	Black	Body coloured	Copper
Longitudinal roof bars	•	-	-
Modular longitudinal roof bars	-	•	•
16" Miliana hubcaps	•	-	-
16" Atara Flexwheels	-	•	-
16" Mahalia alloy wheels	-	-	•
Shark fin antenna	-	-	•
White decals on front doors	-	•	-
<b>INTERIOR DESIGN</b>			
Centre of air vents	Black	White	Copper
Air vent surrounds	Fog Grey	Fog Grey	Fog Grey
Door opening handle	Black	Steel Grey	Steel Grey
Upholstery on the dashboard and front door armrests/trim on the front door panels	-/-	Fabric / Fabric	MicroCloud fabric
1/3 - 2/3 split-fold rear bench seatback	•	•	•
2 independently folding and removable 3 <sup>rd</sup> row seats	•	•	•
Soft-feel steering wheel and Steel Grey decoration	-	•	•
Rubber floor mats with topographic pattern (including luggage area protection)	-	-	•
Luggage space cover	-	•	•
<b>ACTIVE AND PASSIVE SAFETY</b>			
"My Safety" button to manage driver assistance systems	•	•	•
Anti-locking braking system (ABS) + Emergency Brake Assist (EBA)	•	•	•
Automatic emergency braking with pedestrian/cyclist detection	•	•	•
Electronic Stability Control) with Hill Start Assist (HSA)	•	•	•
Emergency call (E-call)	•	•	•
Event (accident) data logger	•	•	•
Alcohol Immobiliser predisposition	•	•	•
Traffic sign recognition with speed alert/ Intelligent Speed Assist (ISA)	•	•	•
Lane Departure Warning (LDW) + Lane Keep Assist (LKA)	•	•	•
Driver attention alert	•	•	•
Front / rear "Rescue Code®" QR Code	•	•	•
Driver's front airbag / passenger's side airbag, can be deactivated	•/•	•/•	•/•
Front thorax-level side and curtain airbags	•	•	•
Front and rear side seat belts with pretensioner and load limiter	•	•	•
Rear parking sensors	•	•	•
Rear view camera	-	•	•
Front parking sensors	-	•	•
Blind spot warning	-	•	•
Electric parking brake with armrest with storage, 1 12V socket and 1 USB-C socket in the rear	-	•	•
<b>DRIVING AND CONTROL INSTRUMENTS</b>			
Tyre pressure monitor	•	•	•
Tyre inflation kit / spare wheel + jack (Excluding HEV)	•/•	•/•	•/•
Row 2 Isofix points for child seats in both side rear seats	•	•	•
Electric power steering	•	•	•
Stop & Start, ECO Mode	•	•	•
E-Save (Hybrid versions only)	-	•	•
On-board computer: distance travelled, average speed, range, average fuel consumption (including LPG)	•	•	•
Keyless Entry	-	•	•
Rain and light sensors	•	•	•
180 kmh / 112 mph speed limiter and cruise control	•	•	•
Extended Grip	-	-	•
<b>VISIBILITY</b>			
Front fog lights	-	•	•
Electrically adjustable door mirrors	-	•	•
<b>COMFORT</b>			
Manual heating and air conditioning system	•	-	-
Automatic heating and air conditioning system	-	•	•
Automatic windscreen wipers	-	•	•
Central locking of doors and automatic locking when driving	•	•	•
Driver and passenger electric front windows	•	•	•
One-touch-up driver window lift (with anti-pinch function), front passenger window winder (not-one-touch)	-	•	•
Electric rear windows	-	•	•
Height and depth- adjustable steering wheel	•	•	•
1 front 12 V socket	•	•	•
Heated front seats	-	-	•
Aeroplane style sliding tables for passengers in row 2.	-	-	•
Tilting rear quarter glass	-	-	•
<b>MULTIMEDIA &amp; AUDIO</b>			
New Media Control: DAB radio with steering wheel controls, jack socket and 2 speakers, Bluetooth® telephone system with satellite controls on the steering wheel, fixed smartphone holder on the dashboard, new Dacia Media Control smartphone app	•	-	-
Media Display: multimedia system with 8" touchscreen, DAB digital radio, smartphone mirroring via USB cable, Bluetooth® connection, satellite controls on steering wheel, 4 speakers and 1 USB-A socket	-	•	-
Media Nav: multimedia system with 8" touchscreen, navigation with Map Care (map of Western Europe or Eastern Europe [depending on country] + 6 free updates for 3 years), DAB digital radio, smartphone mirroring via USB cable or wireless via Wi-Fi, Bluetooth® connection, steering wheel satellite controls, 6 speakers (4 speakers + 2 tweeters) and 1 USB-A socket	-	-	•
Removable telephone holder	-	-	•

--: not available; •: available as standard; •/•: available as an option.

**CONFIGURE AND ORDER**

**MENU** 

# PRICING

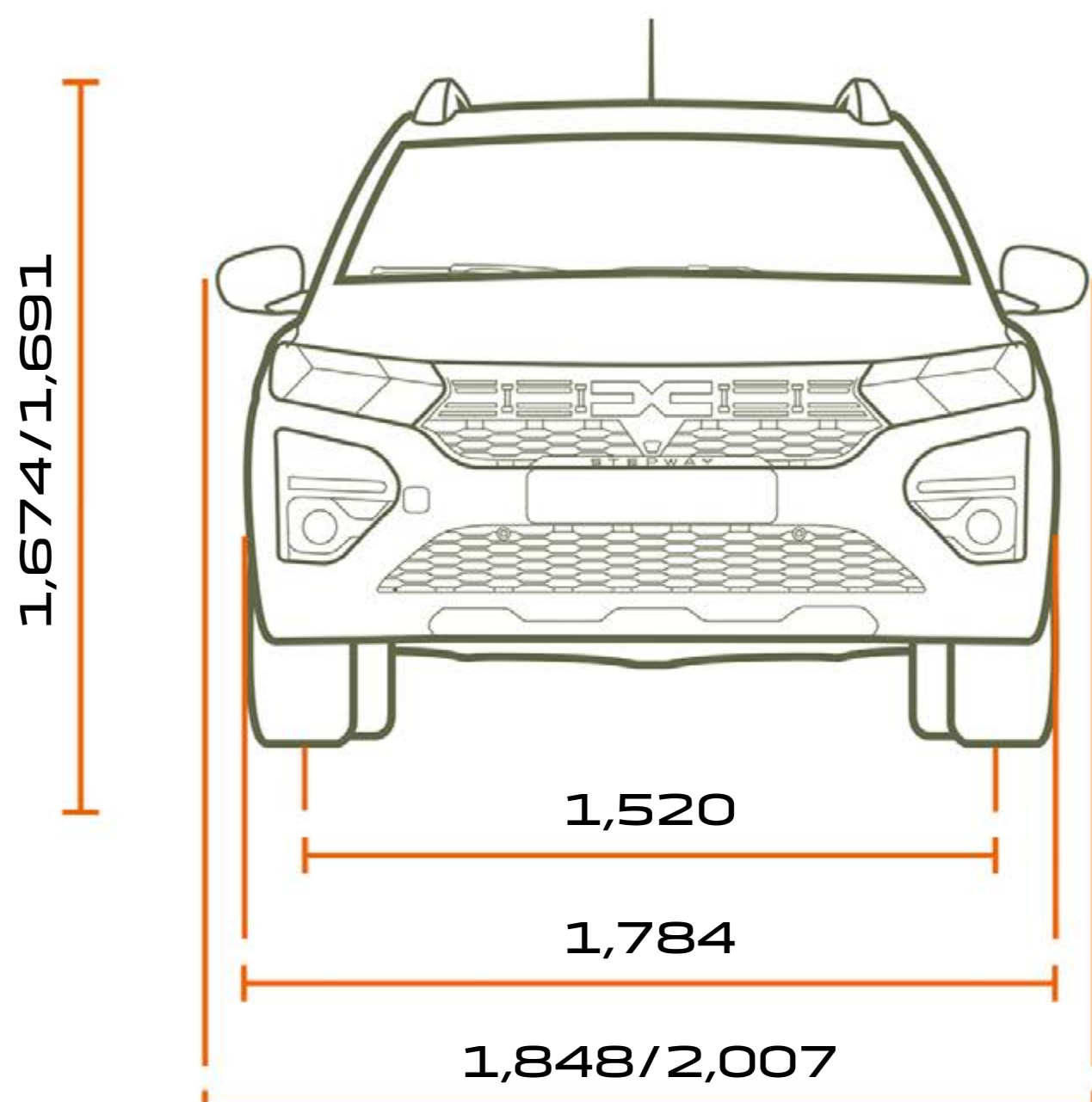
	CO <sub>2</sub> G/KM WLTP	FUEL TYPE	COMBINED FUEL CONSUMPTION (MPG) - WLTP	HP	BENEFIT IN KIND	VED YEAR 1	BASIC PRICE	VAT 20%	TOTAL RETAIL PRICE	ON THE ROAD PRICE*
<b>ESSENTIAL</b>										
TCe110 MY24	132	Petrol	47.9 (5.9)	110	31%	£270	£14,479.17	£2,895.83	£17,375	£18,400
<b>EXPRESSION</b>										
TCe110 MY24	132	Petrol	48.7 (5.8)	110	31%	£270	£15,562.50	£3,112.50	£18,675	£19,700
Hybrid 140 MY24	108	Petrol / Electric	58.9 (4.8)	140	26%	£185	£18,466.67	£3,693.33	£22,160	£23,100
<b>EXTREME</b>										
TCe110 MY24	132	Petrol	48.7 (5.8)	110	31%	£270	£16,395.83	£3,279.17	£19,675	£20,700
Hybrid 140 MY24	109	Petrol / Electric	57.6 (4.9)	140	26%	£185	£19,300.00	£3,860.00	£23,160	£24,100

\* "On the Road" price includes delivery to the dealer premises, number plates, 12 months government road fund license (depending on CO<sub>2</sub> emissions) and First Registration Fee at £55.

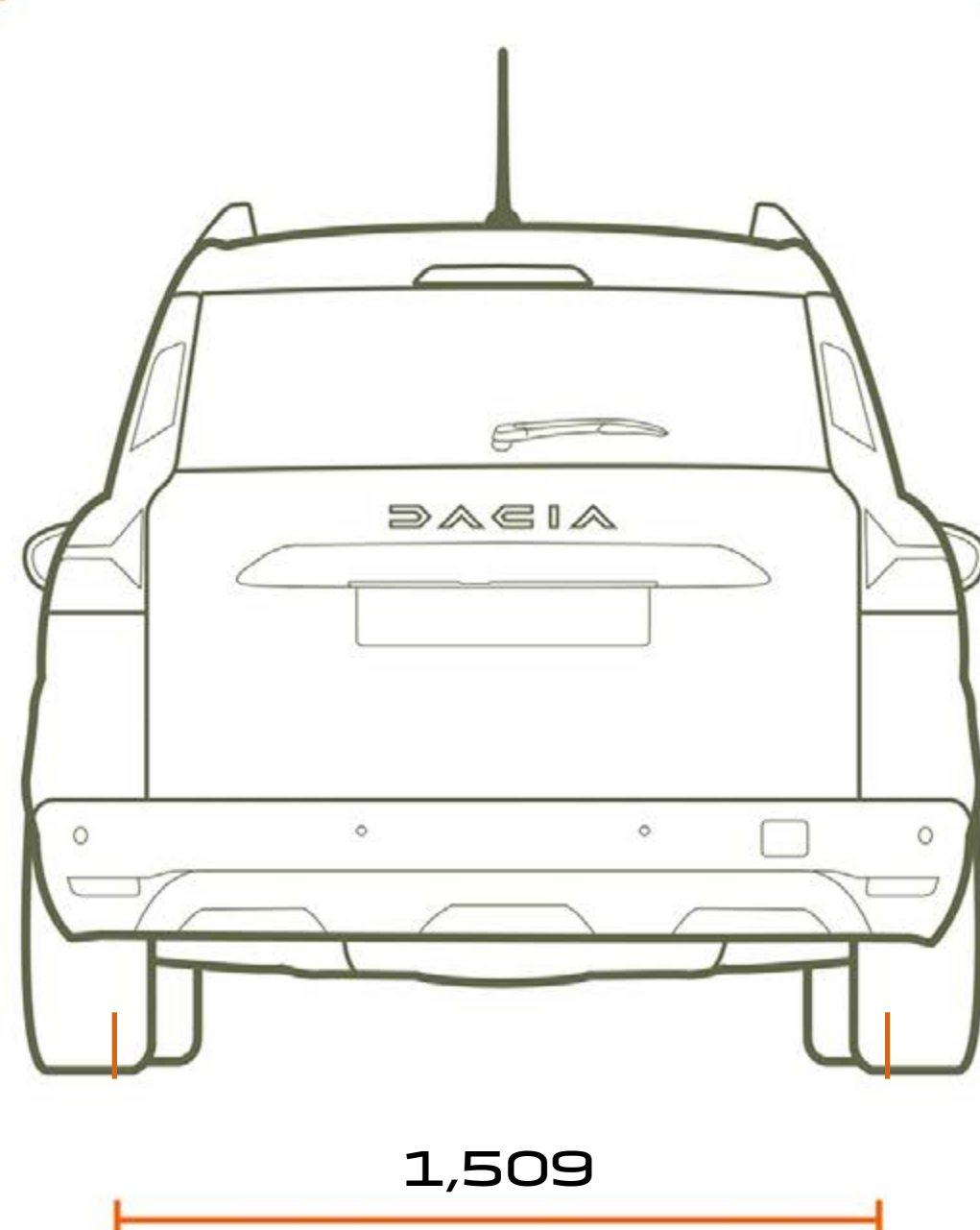
# OPTIONS

	ESSENTIAL	EXPRESSION	EXTREME	BASIC PRICE	VAT 20%	TOTAL RETAIL PRICE
Metallic & opaque paint	<input type="radio"/>	<input type="radio"/>	<input type="radio"/>	£541.67	£108.33	£650
Spare Wheel (excluding HYBRID 140 versions)	<input type="radio"/>	<input type="radio"/>	<input type="radio"/>	£250.00	£50.00	£300

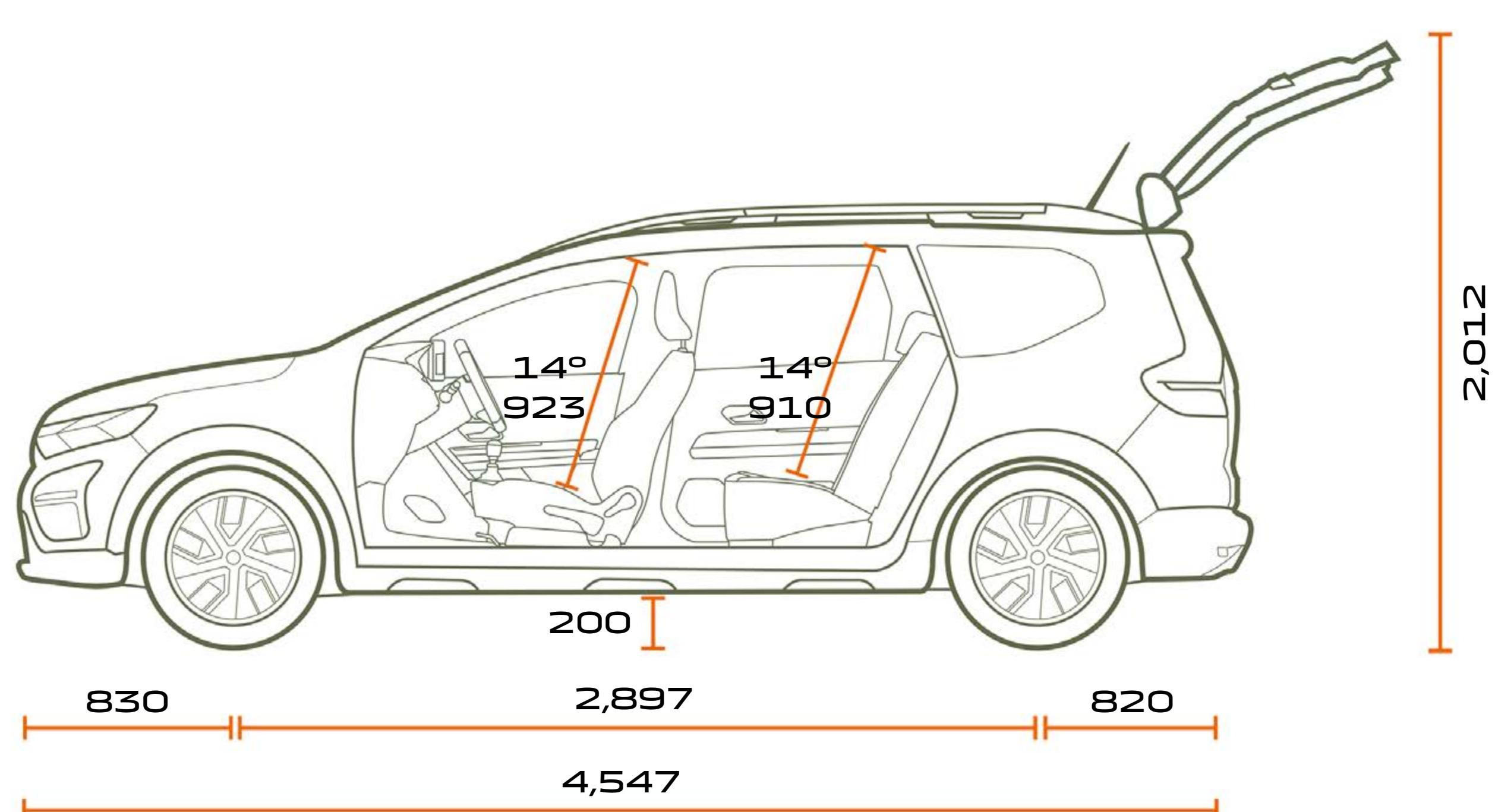
## 06. DIMENSIONS



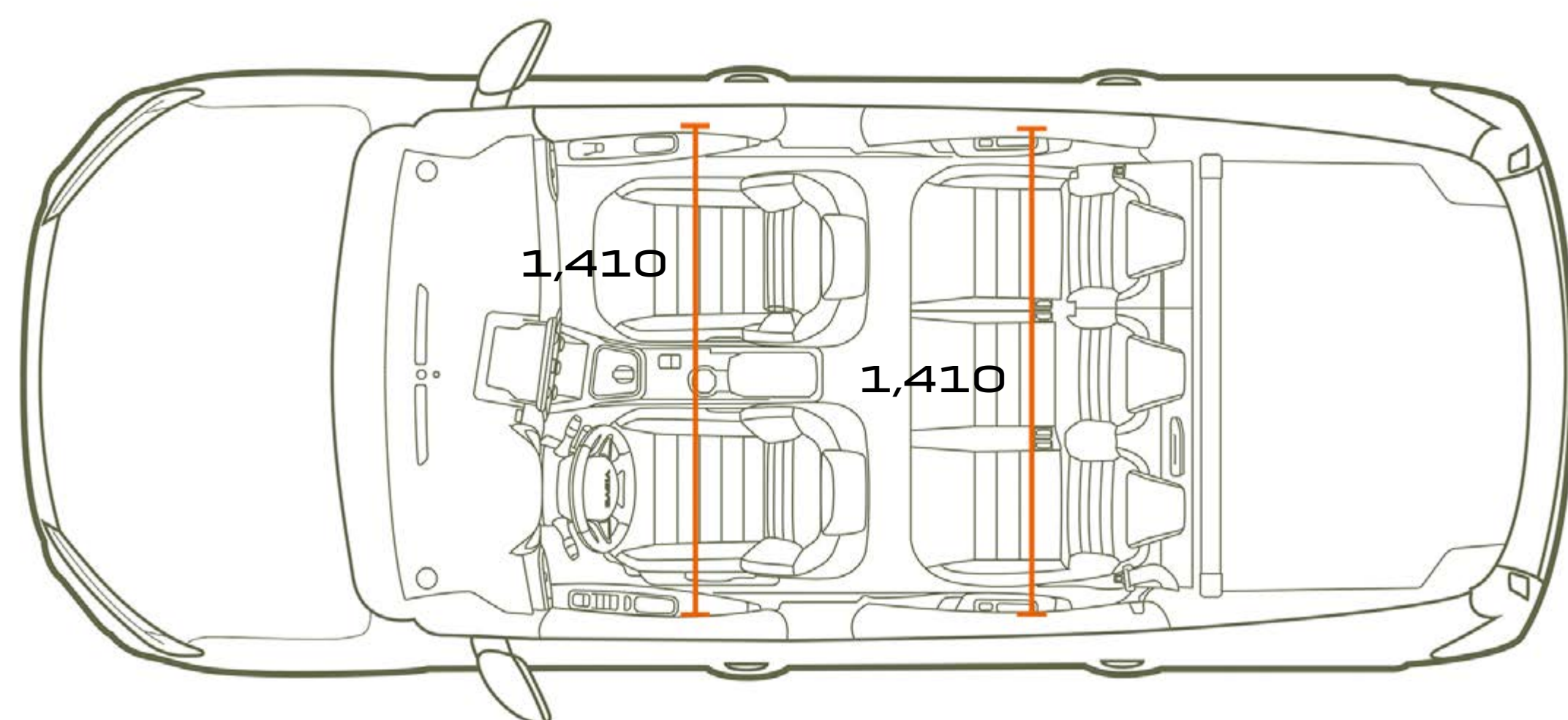
**FRONT VIEW 5 AND 7 SEATERS**



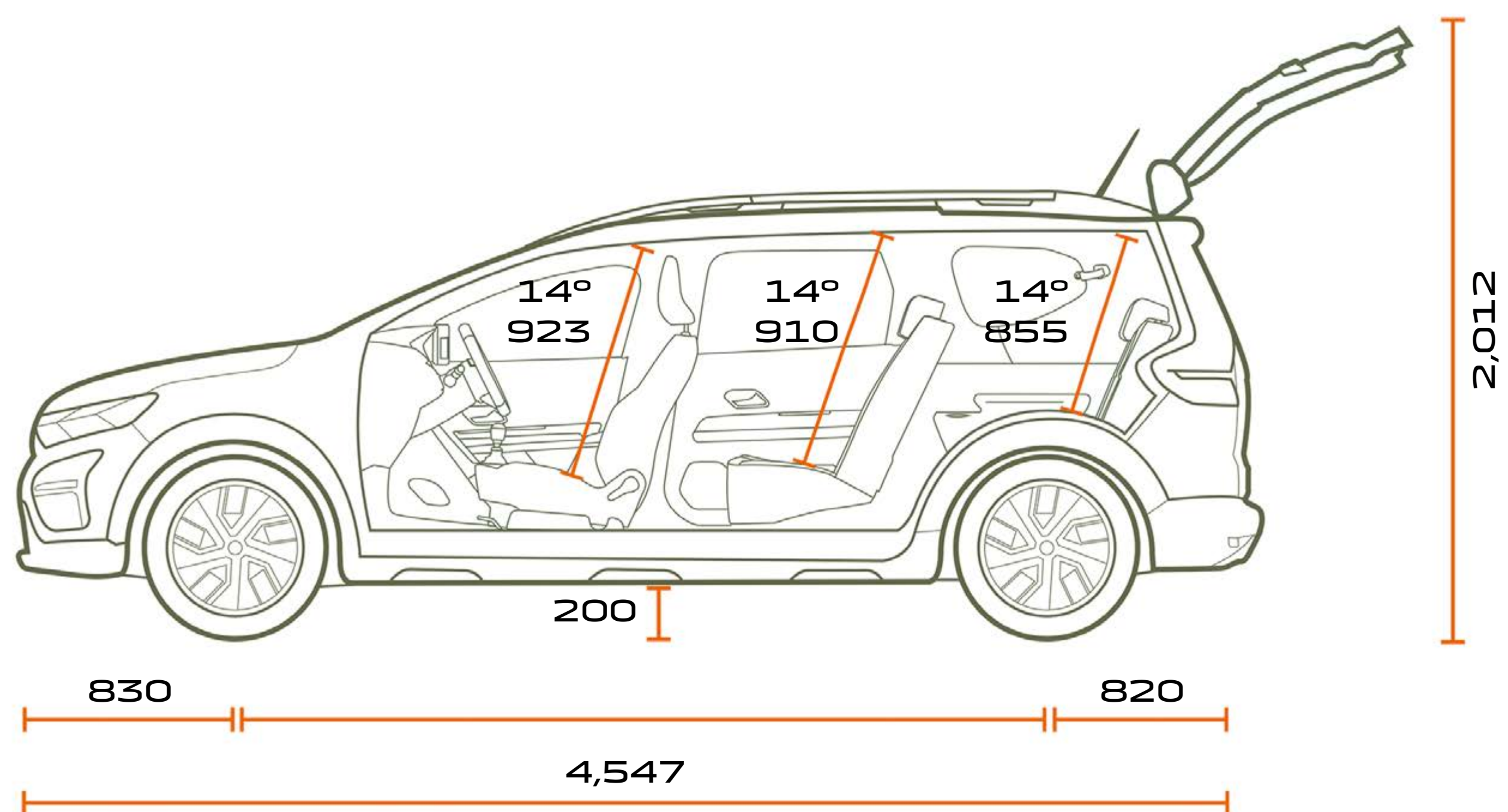
**REAR VIEW 5 AND 7 SEATERS**



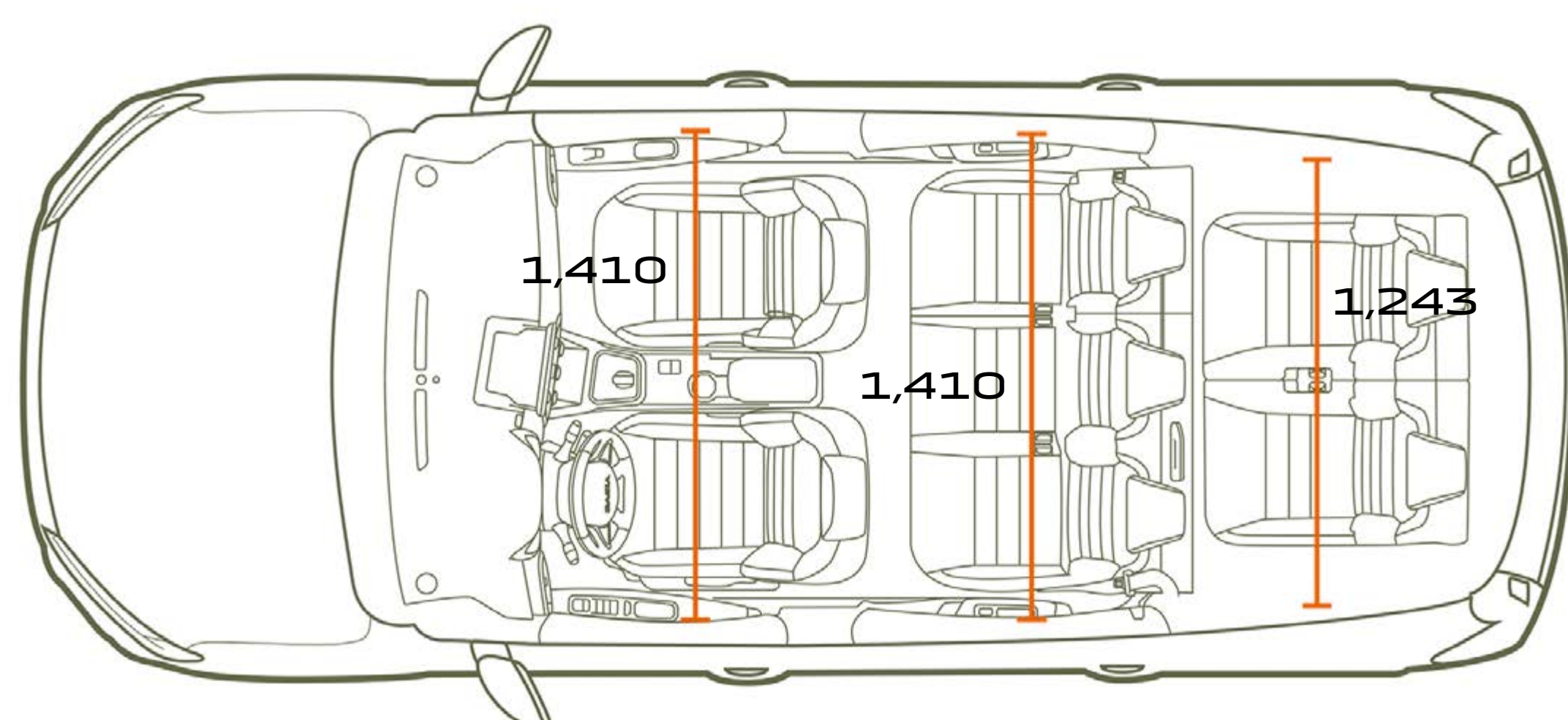
**5-SEATER SIDE VIEW**



**TOP VIEW 5-SEATER**



**SIDE VIEW 7 SEATS**



**TOP VIEW 7-SEATER**

<b>BOOT VOLUME -</b> (in dm <sup>3</sup> - VDA standard / litres)	<b>5 SEATS</b>	<b>7 SEATS</b>
Minimum boot volume – (ISO 3832 standard)	708/829	160/212
Maximum boot volume – (ISO 3832 standard)	1,819/2,094	1,807/2,085
Row 2 in place and row 3 folded down	-	565/699
Row 2 in place and row 3 removed	-	696/820

Dimensions in mm.

**CONFIGURE AND ORDER**

**MENU** ^

# ENJOY THE RIDE WITH DACIA ZEN



## DACIA ZEN ENABLES OWNERS TO ENJOY UP TO SEVEN YEARS OF WARRANTY

- Brand new Dacia Zen warranty offers Dacia owners up to seven years of cover
- It's applicable to all Dacia models under six years old which have covered less than 75,000 miles
- Warranty is complimentary with every service completed at an official Dacia retailer
- Dacia Zen is available to owners of qualifying vehicles even if their Dacia has been previously serviced outside of the official Dacia retail network

## WHO BETTER TO LOOK AFTER YOUR DACIA, THAN DACIA?

Are you the proud owner of a new or used Dacia? If your vehicle is less than 6 years old and has covered less than 75,000 miles you can get up to 7 years warranty with Dacia\*

It's simple. Get your Dacia serviced by one of our expert retailers after your standard 3-year warranty expires and enjoy a Dacia ZEN warranty for a year or 18,000 miles (whichever comes sooner).

Enjoy the ride with Dacia ZEN.



Your Dacia is less than 6-years old and has done less than 75,000 miles



Have your next manufacturer service carried out in our retailer network



Get an additional 1-year of warranty\*

\*Warranty activated following service at participating Dacia Dealers. Valid for 1 year or 18,000 miles (whichever comes first). Vehicles over 6 years old or 75,000 miles not eligible. Full T&Cs apply.

[BOOK A SERVICE](#)



# WE'VE GOT YOU COVERED

You might think our shockingly affordable prices mean our cars aren't made to last. Actually, the Dacia range is one tough cookie. To prove it, you get a 3-year\* warranty (or 60,000 miles, if you reach that first). This means we will replace any part which has been deemed by a Dacia approved dealer to be defective due to a manufacturing fault, free of charge. To keep the good times rolling, you can extend your warranty up to 7 years for a great price. We also give you a 2-year paintwork and 6-year anti-corrosion warranty, so you can kick back knowing that your Dacia will stay looking good-as-new for years to come.

## ROADSIDE ASSISTANCE

Although our cars are built for plain sailing, you can rely on us if you have a breakdown – 24/7 365, wherever you are in the UK or Northern Ireland. This offer also stands for the first 3 years/60,000 miles<sup>Δ</sup> after you buy your new Dacia.

## DACIA CAR INSURANCE 1

Dacia Insurance has been specifically created to provide superb protection for you and your car. Unlike most other UK insurers, in the event of an accident, your Dacia will be repaired at a Dacia Approved Bodyshop using only Dacia approved parts and approved repair methods. This maintains your Dacia's safety rating, protects its resale value and helps to maintain its Dacia warranty<sup>Λ</sup>. Dacia Insurance also offers a courtesy car for the duration of a repair at a Dacia Approved Bodyshop.

**Dacia car insurance: 0330 102 7795 [www.daciacarinsurance.co.uk](http://www.daciacarinsurance.co.uk)**  
Lines are open Mon - Thurs 8.30am - 7pm, Fri 9am - 6pm, Sat 9am - 5pm

## SERVICING

Dacia Service Plans are the ultimate hassle free way to take care of your vehicle. Depending on the Service plan you purchase (grid below) your servicing needs are covered and you benefit from;

- Inflation Proof Servicing – You know exactly what you'll pay and there are no hidden costs
- Peace of Mind – No matter where life takes you, we'll be there in over 5000 workshops across Europe
- Dacia Expertise & Quality – Our highly trained technicians know your Dacia inside out

The Dacia Service Plan contains Dacia services in-line with the manufacturer's service schedule, plus comes with a complimentary vehicle health check to ensure your Dacia is in the best condition possible.

SERVICE PLAN <sup>^</sup>	Monthly payments
3 years / 30,000 miles Service Plan	£13.99 per month
3 years / 45,000 miles Service Plan	£21.99 per month
4 years / 48,000 miles Service Plan + 1 MOT	£20.99 per month
4 years / 60,000 miles Service Plan +1 MOT	£24.99 per month

ICE EXTENDED WARRANTY	Total Retail Price
1 years / 100,000 miles <sup>†</sup>	£415
2 years / 100,000 miles <sup>†</sup>	£445
3 years / 100,000 miles <sup>†</sup>	£560
4 years / 100,000 miles <sup>†</sup>	£690

Dacia Extended warranty ends when you reach the age or mileage limit (whichever comes first). All prices including VAT.

HYBRID EXTENDED WARRANTY	Total Retail Price
1 years / 100,000 miles <sup>†</sup>	£625
2 years / 100,000 miles <sup>†</sup>	£715
3 years / 100,000 miles <sup>†</sup>	£910
4 years / 100,000 miles <sup>†</sup>	£1,140

Dacia Extended warranty ends when you reach the age or mileage limit (whichever comes first). All prices including VAT.

## SERVICE INTERVALS<sup>◇</sup>

Annual servicing **OR** servicing at 18,000 miles (whichever comes first)

Service Schedule <sup>◇</sup>	Year 1	Year 2	Year 3	Year 4	Year 5	Year 6
	Change Cabin Filter	Change Oil + Oil Filter	Change Cabin filter + Brake Fluid	Change Oil + Oil filter + Air filter (36k miles) + Spark Plugs (36k miles)	Change Cabin filter + Coolant (90k miles)	Change Oil + Oil Filter + Brake Fluid + Accessory Belt (90k miles)

\*Dacia warranty ends when you reach the age or mileage limit (whichever comes first), from date of registration. Subject to status, terms and conditions apply. For full Dacia Extended Warranty Terms and Conditions visit [www.dacia.co.uk/warranty-and-assistance/warranty](http://www.dacia.co.uk/warranty-and-assistance/warranty)

<sup>Δ</sup>Roadside assistance for the first 3 year / 60,000 miles, which ever is reached first, from date of registration. For full Terms and Conditions visit [www.dacia.co.uk/warranty-and-assistance/assistance](http://www.dacia.co.uk/warranty-and-assistance/assistance)

<sup>†</sup>Dacia Extended Warranties are available to purchase from first date of registration up to end of manufacturer warranty. For full Dacia Extended Warranty Terms and Conditions visit [www.dacia.co.uk/warranty-and-assistance/warranty](http://www.dacia.co.uk/warranty-and-assistance/warranty)

<sup>^</sup>The Service plan offer is available for eligible retail vehicles only and valid at participating dealers only. Vehicles must be ordered between 17 December 2024 to 31 March 2025 and registered by 30 June 2025. The Dacia Service plan covers the manufacturer's minimum maintenance programme requirements for the term of the Service plan purchased (refer to the Warranty and Service sheet in the Handover Document wallet for details). The plan ends when you reach the age or mileage limit (whichever comes first). Services must be carried out in line with the manufacturer's minimum maintenance programme requirements and servicing intervals within +/- 1 month or 1,000 miles of the service interval and can only be carried out at a Dacia Approved outlet. Service plans do not cover wear and tear items such as (but not limited to) tyres, wiper blades or brakes. For Service plan full Terms & Conditions visit [www.dacia.co.uk/services-and-finance/service-plan](http://www.dacia.co.uk/services-and-finance/service-plan). Cannot be part exchanged, refunded or transferred.

<sup>◇</sup>The service schedule and intervals are specific to the version and derivative of vehicle. Check with your Dacia retailer to confirm the service schedule / intervals as the above is an indicative guideline.

<sup>1</sup>Dacia Insurance is arranged and administered by Verex Insurance Services Ltd, which is registered in England and Wales No. 05686831 at Batchworth House, Church Street, Rickmansworth, Herts, WD3 1JE and authorised and regulated by the Financial Conduct Authority, No. 487185. Verex Insurance Services Ltd arranges policies from a panel of insurers, details are available on request.

<sup>Λ</sup>If your insurer uses non-approved parts which subsequently fail, they may not be covered under your manufacturer's warranty.

# DACIA



The contents of this brochure were accurate and up-to-date at the time of publication. This document was produced based on pre-series or prototype vehicles. As part of its policy of continuous product improvement, Dacia reserves the right, at any time, to make changes to the specifications and vehicles and accessories described and illustrated. These modifications are notified to Dacia dealers as soon as possible. Depending on the country of sale, versions may differ, and some equipment may not be available (as standard, optional, or accessory). Please consult your Dacia representative for the most up-to-date information. Due to the limitations of printing, the colors shown in this document may slightly differ from the actual paint colors or interior trim materials. All rights reserved. Reproduction, in whole or in part, of this brochure in any form or by any means is prohibited without the prior written authorization of Dacia.

Dacia recommends  Castrol

PUBLICIS – PHOTO CREDITS : BAM (BEN & MARTIN) ; A. BERNIER ; GETTY IMAGES ; SHUTTERSTOCK ; © RENAULT MARKETING 3D-COMMERCE – DECEMBER 2024



[CONFIGURE AND ORDER](#)

[BOOK A TEST DRIVE](#)

[FIND YOUR DEALERSHIP](#)

[MENU](#) 