

# DACIA SANDERO





# JUST ESSENTIALS

Dacia Sandero fits better than ever with your lifestyle and desires. Its lines combine robustness and dynamism in a sleek and distinctive design. Stylish, practical, modern, it offers the essential equipment and comfort to make every journey a moment of pleasure.



---

**UP TO 1108 dm<sup>3</sup>  
OF BOOT  
VOLUME<sup>(1)</sup>**

---

**KEYLESS  
ENTRY<sup>(3)</sup>**

---

**8" TOUCHSCREEN  
WITH MEDIA NAV<sup>(2)</sup>**

---

**LED DIPPED  
HEADLIGHTS**

(1) Rear bench seat folded down.

(2) Available on Journey only.

(3) Available from Expression version.



# INTERACTIVE MENU

**01. DESIGN**

**02. DRIVING PLEASURE**

**03. INTERIOR SPACE**

**04. MULTIMEDIA**

**05. DRIVER ASSISTANCE  
SYSTEMS**

**06. EQUIPMENT AND  
ACCESSORIES**



# THE POWER OF WHAT IS ESSENTIAL

Admire the style of Dacia Sandero, a combination of robustness and dynamic lines: simply stunning. Its front and rear Y-shaped brand light puts the finishing touches on a strong and modern identity. Its LED dipped headlights will light up the road at night like never before.



The black radiator grille with touches of white adds to its personality. The Sandero spirit that you enjoy so much is also found in the details, such as the glossy black door mirrors, the shark fin antenna and the 16" alloy wheels.

\*16" Randia alloy wheels are standard on the Journey version.



**LED dipped headlights**



**Rear Y-shaped brand light**

[CONFIGURE AND ORDER](#)



# ALL YOU NEED IS WITHIN EASY REACH

From the moment you climb aboard thanks to the automatic remote opening, you feel comfortable in a welcoming and modern setting. Its panoramic dashboard combines elegance and efficiency.



The driver-focused dashboard provides easy access to all the functions: intuitive heating and air-conditioning system controls, built-in 8-inch screen with navigation and mirroring of the applications on your smartphone wirelessly or via USB, front and rear parking sensors, as well as height- and depth-adjustable steering wheel. The electric parking brake will prove highly practical for daily use.



Hands-free access and ignition card<sup>(1)</sup>



Instrument panel with digital display

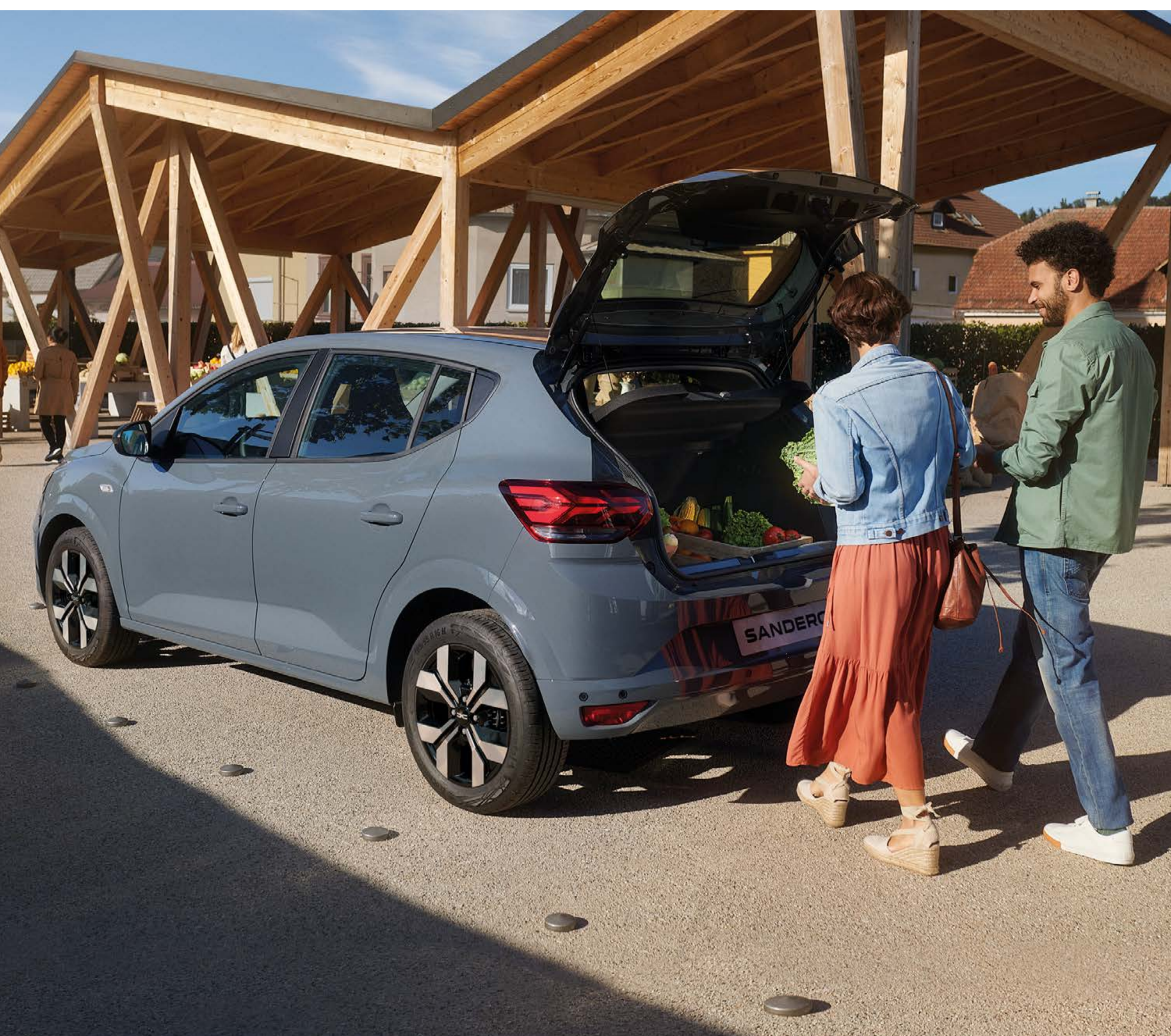
(1) Available from expression version.

[CONFIGURE AND ORDER](#)

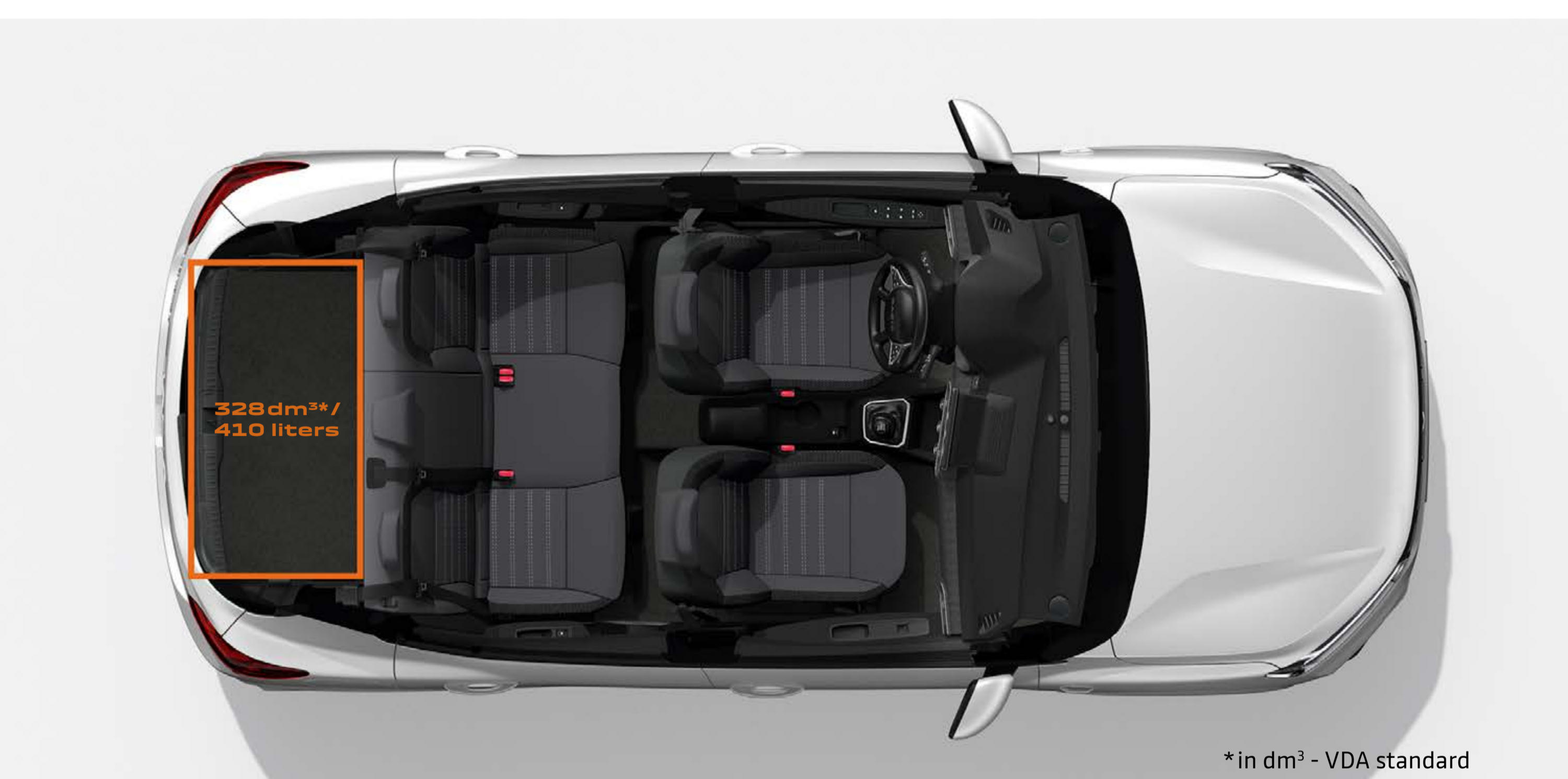


## TAKE CONTROL OF THE SPACE

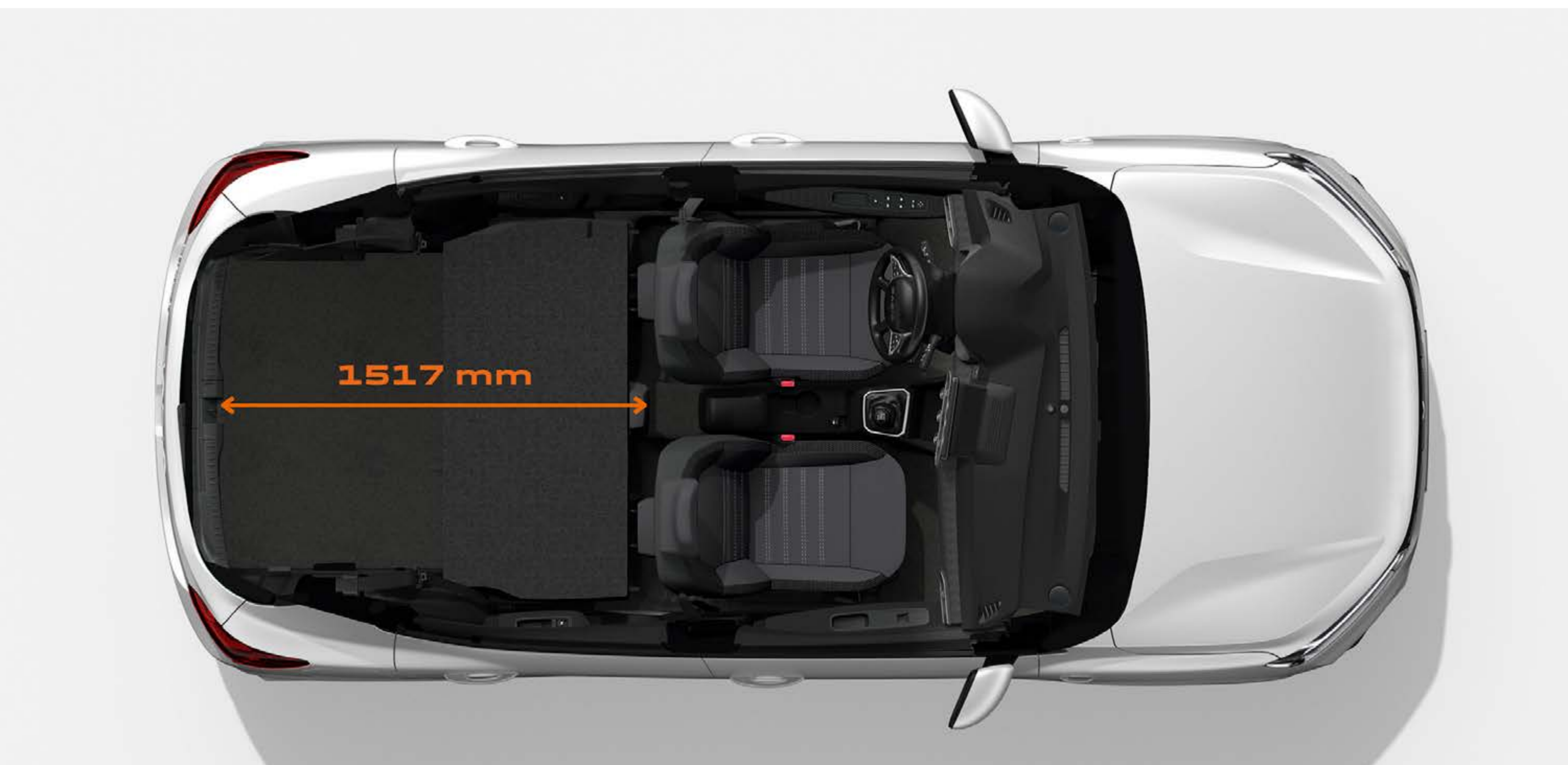
Dacia Sandero perfectly adapts to your life. And it has the resources, with its large boot and rear folding bench seat, to adapt the space to your requirements. It also comes with a lot of storage space: cup holders, door bin, closed glovebox and storage console that perfectly meet your organisational requirements.



The generous width at the shoulders for the driver and the leg room for passengers in the rear provide optimum comfort. Sandero offers a decidedly warm welcome.



**Boot volume: 410 litres**



**Rear bench seat folded down: boot volume of 1,108 litres**



**As an option, central armrest storage: 1.2 litre\***

\*On Journey versions only.

[CONFIGURE AND ORDER](#)



# SELECT YOUR MULTIMEDIA PREFERENCES

Dacia Sandero has three comprehensive multimedia offers, so it's up to you to choose what you want: the clever new Media Control, controlled from your smartphone and integrated into the design of the dashboard, allows you to control the radio, music, Bluetooth® connection, USB and telephony.



Media Display adds voice recognition to its 8" touchscreen. Media Nav supplements its features with built-in navigation. Media Display and Media Nav are compatible with Android Auto™ and Apple CarPlay™ smartphone mirroring. It is available via a wired connection on Media Display and with Wi-Fi on Media Nav. You can also enjoy enhanced sound with six speakers located throughout the cabin, available on Media Nav.

Android Auto™ is a trademark of Google Inc.  
Apple CarPlay™ is an Apple Inc. brand.



**New Media Control**



**Media Display\***

\*Available from expression.

[CONFIGURE AND ORDER](#)



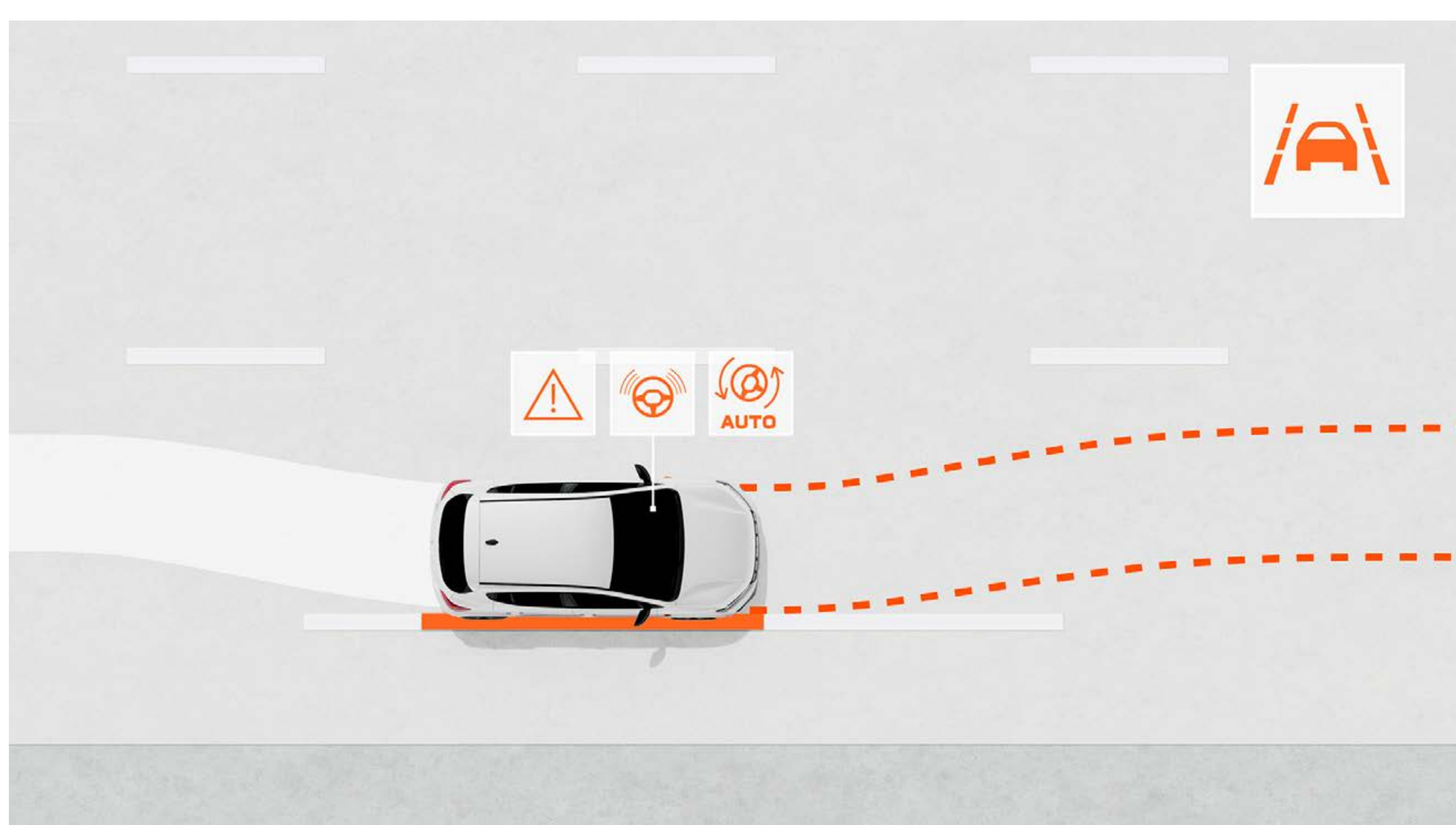
# SAFETY ALL THE TIME

At Dacia, safety has always been at the heart of our concerns. Built on the latest platform designed for our vehicles, Dacia Sandero has a reinforced body structure and new-generation assistance systems. Thanks to the My Safety button, you can deactivate some of these aids at each start-up as well as when the vehicle is running. With Dacia, drive with peace of mind.



## **AUTOMATIC EMERGENCY BRAKING WITH PEDESTRIAN/CYCLIST DETECTION**

This system prevents the risk of frontal collisions involving other vehicles, pedestrians or cyclists straight ahead and at junctions. It alerts the driver and can automatically brake the vehicle if necessary.



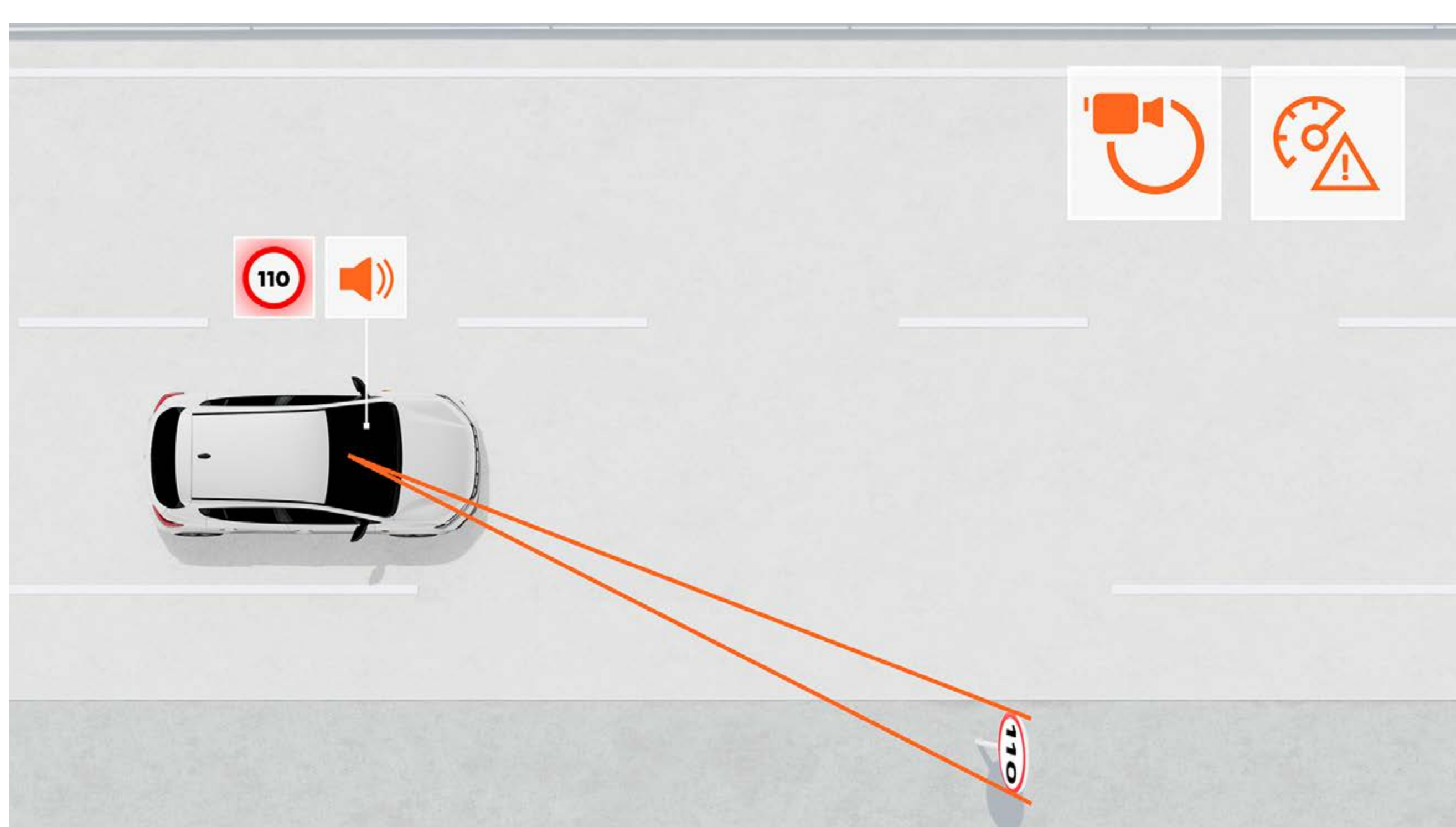
## **LANE KEEPING ASSIST**

This assistance system monitors the vehicle's path in its lane and corrects it if necessary by automatically steering it.



## **DRIVER FATIGUE DETECTION SYSTEM**

This helps warn the driver if fatigue is detected by analysing several parameters – including movements of the steering wheel – to encourage them to take a break.



## **TRAFFIC SIGN RECOGNITION WITH SPEED ALERT**

This system provides a reliable real-time indication of the maximum speed on the road and warns the driver if they exceed the speed limit with visual and audible alerts (which can be disabled).

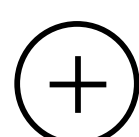
[CONFIGURE AND ORDER](#)



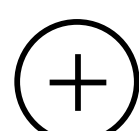
# **DISCOVER THE FEATURES**



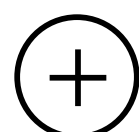
## **COLOUR PALETTE**



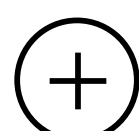
## **HUBCAPS AND WHEEL RIMS**



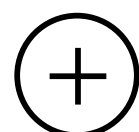
## **INTERIOR TRIMS**



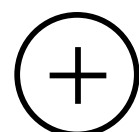
## **ACCESSORIES**



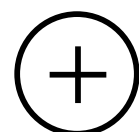
## **ENGINES**



## **EQUIPMENT AND OPTIONS**

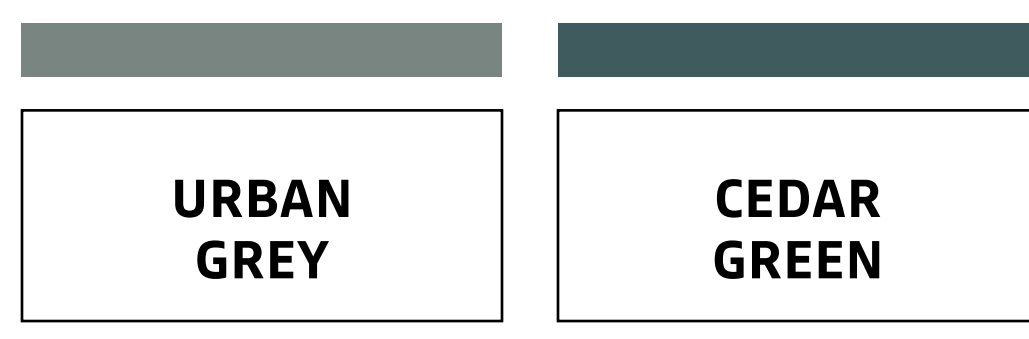


## **DIMENSIONS**





## 06. COLOUR PALETTE



**GLACIER WHITE<sup>(1)</sup>**



**PEARL BLACK<sup>(2)</sup>**



**SHADOW GREY<sup>(2)\*</sup>**



**IRON BLUE<sup>(2)\*</sup>**



**URBAN GREY<sup>(1)</sup>**



**CEDAR GREEN<sup>(2)\*</sup>**

(1) Opaque paint.  
 (2) Metallic paint.  
 \*Not available on ESSENTIAL.  
 Non-binding photos.

ESSENTIAL      EXPRESSION      JOURNEY

COLOUR AVAILABILITY			
<b>SOLID PAINT</b>			
369 Glacier White	○	○	○
<b>METALLIC PAINT</b>			
676 Pearl Black	○	○	○
KQG Shadow Grey	-	○	○
DQK Cedar Green	-	○	○
RQH Iron Blue	-	○	○
<b>SPECIAL PAINT (PRICED AS METALLIC)</b>			
KPW Urban Grey	○	○	○

○ = Optional. - = Not available.



---

**06. HUBCAPS AND WHEELS**



**15" STEEL WHEELS WITH ELMA HUBCAPS**



**16" ATARA FLEXWHEELS**



**16" RANDIA ALLOY WHEELS**



## 06. INTERIOR TRIMS

### ESSENTIAL



### MAIN EQUIPMENT

#### EXTERNAL APPEARANCE

- Black grille with Dacia logo and white decorative inserts
- LED signature lighting
- Automatic activation of daytime LED running lights
- Body-coloured front/rear bumpers
- Black exterior door handles
- Black door mirrors
- 15" Steel wheels with Elma hubcaps

#### INTERIOR DESIGN

- Fog Grey airvent surrounds and white sliders
- Titanium Black door panels
- Black interior door handles
- Split-fold rear bench 1/3 & 2/3
- Special Essential upholstery

#### ACTIVE AND PASSIVE SAFETY

- My Safety button to manage driver assistance systems
- Anti-locking braking system (ABS) + Emergency Brake Assist (EBA)
- Automatic emergency suburban braking with pedestrian/cyclist detection
- Electronic Stability Control (ESC) with Hill Start Assist (HSA)
- Emergency call (E-call)
- Event (accident) data logger
- Alcohol immobiliser predisposition
- Traffic sign recognition with speed alert/Intelligent Speed Assist (ISA)
- Lane departure warning
- Lane keeping assist
- Driver fatigue detection system
- Front / rear "Rescue Code<sup>®</sup>" QR Code
- Driver's front airbag / passenger's side airbag, can be deactivated
- Shoulder and curtain side airbags
- Rear parking sensors
- Tyre pressure detection
- Tyre inflation kit
- Isofix mounts for child seats in both side rear seats

#### DRIVING AND CONTROLS

- Rain and light sensors
- Power assisted steering
- Stop & Start
- On-board computer: distance travelled, average speed, range, average consumption (including LPG)
- Speed limiter / cruise control

#### VISIBILITY

- Door mirrors with interior manual adjustment

#### COMFORT

- Electric door locking with radio frequency remote control
- Automatic locking of doors when in motion
- Front electric driver and passenger windows
- Height-adjustable steering wheel
- Front ceiling light
- 1 front 12 V socket
- Manual air conditioning

#### MULTIMEDIA & AUDIO

- New Media Control: DAB radio with steering wheel controls, jack socket and 2 speakers, Bluetooth<sup>®</sup> telephone system with satellite controls on the steering wheel, fixed smartphone holder on the dashboard, new application for Dacia Media Control smartphone

#### OPTIONS

- Spare wheel + jack (excluding Bi-Fuel versions)
- Metallic paint



## EXPRESSION



### MAIN EQUIPMENT EXPRESSION = ESSENTIAL +

#### EXTERNAL APPEARANCE

- Body-colour door mirrors
- Body-coloured exterior door handles
- 16" Atara flexwheels

#### INTERIOR DESIGN

- Steel grey interior door handles
- Fabric upholstery on the dashboard and front door armrests
- Special Expression upholstery
- Height- and depth-adjustable soft feel steering wheel

#### ACTIVE AND PASSIVE SAFETY

- Rear parking sensors with reversing camera

#### VISIBILITY

- Front fog lights
- Electrically adjustable door mirrors
- Automatic wipers

#### COMFORT

- 4 electric windows with driver's side one-touch function
- Front ceiling light
- Keyless entry

#### MULTIMEDIA & AUDIO

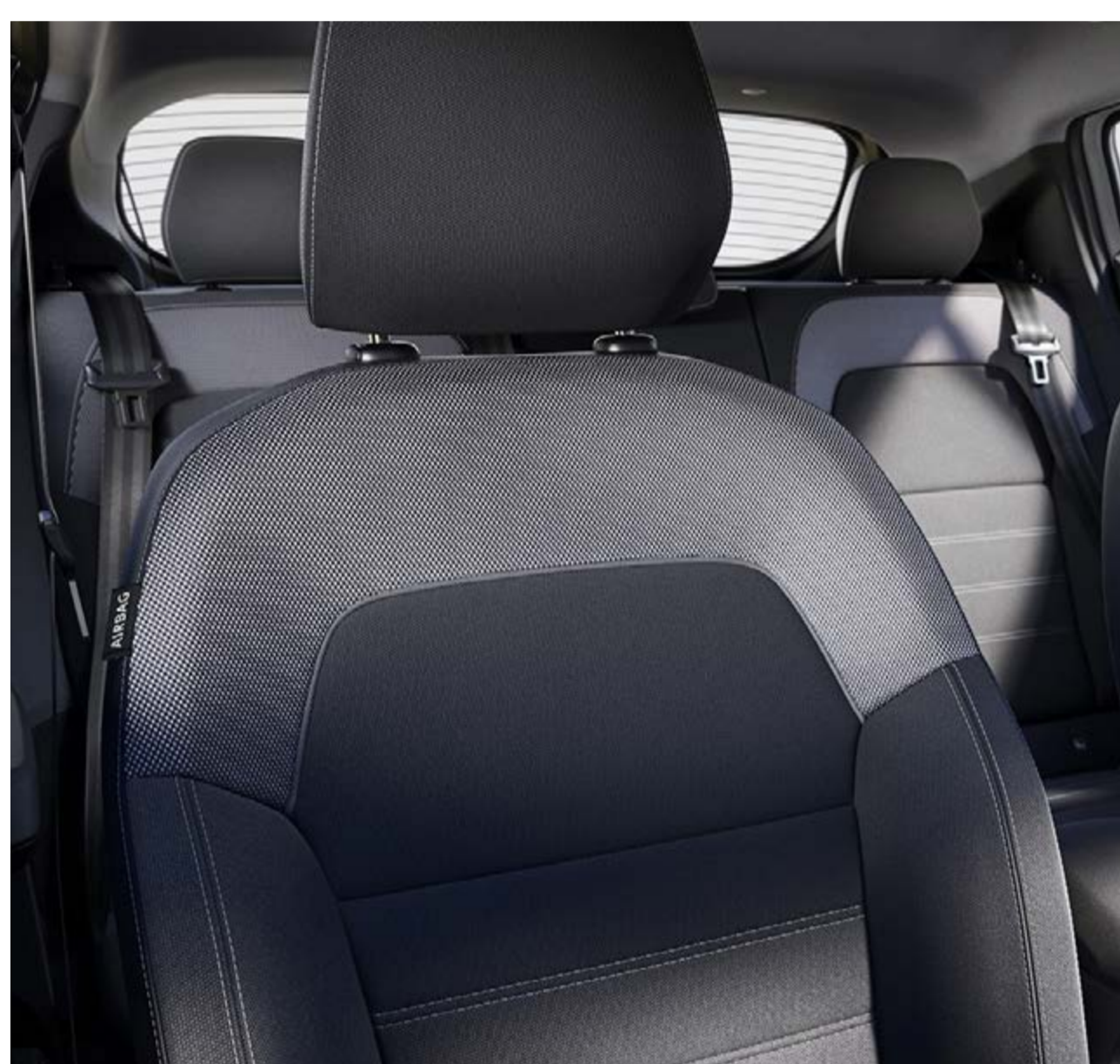
- Media Display: multimedia system with 8" touchscreen, DAB digital radio, smartphone mirroring via USB cable, Bluetooth® connection, satellite controls on steering wheel, 4 speakers and 1 USB-A socket

#### OPTIONS

- Metallic paint
- Spare wheels excluding Bi-Fuel versions



## JOURNEY



### MAIN EQUIPMENT JOURNEY = EXPRESSION+

#### EXTERNAL APPEARANCE

- 16" Randia alloy wheels
- Black door mirrors
- Shark fin antenna

#### INTERIOR DESIGN

- Door sill protection
- Floor mats

#### DRIVING AND CONTROLS

- Front and rear parking sensors with reversing camera
- Blind spot warning
- Electronic parking brake

#### COMFORT

- Automatic heating and air conditioning system
- Modular boot with twin-level floor
- High central armrest with console storage

#### MULTIMEDIA & AUDIO

- Removable telephone holder
- 8" MediaNav with DAB Radio + Smartphone replication + Bluetooth + 6 Speakers with Apple CarPlay and Android Auto +USB-C Plug (Rear)

#### OPTIONS

- Metallic paint
- Spare wheels excluding Bi-Fuel versions

[CONFIGURE AND ORDER](#)



## 06. ACCESSORIES

### STYLE PACK (ESSENTIAL & EXPRESSION)

£375 inc. fitting



Roof spoiler



Shark fin aerial



Illuminated door sills

### PROTECTION PACK

£285 inc. fitting



Front & rear lower door protectors



Front & rear mud guards



Boot mat

### STORAGE PACK

£122



Magnetic phone holder



Rear tray table & fixings

Storage pack + available with 2 x rear tray tables & fixings £224

### TOURING PACK

£459



Roof bars



Roof box 400L

### DASH CAM PACK

£329 inc. fitting



Front and rear dashcam

### CYCLE PACK

£430



Roof bars



2 x bike carriers for roof

### TOW BARS



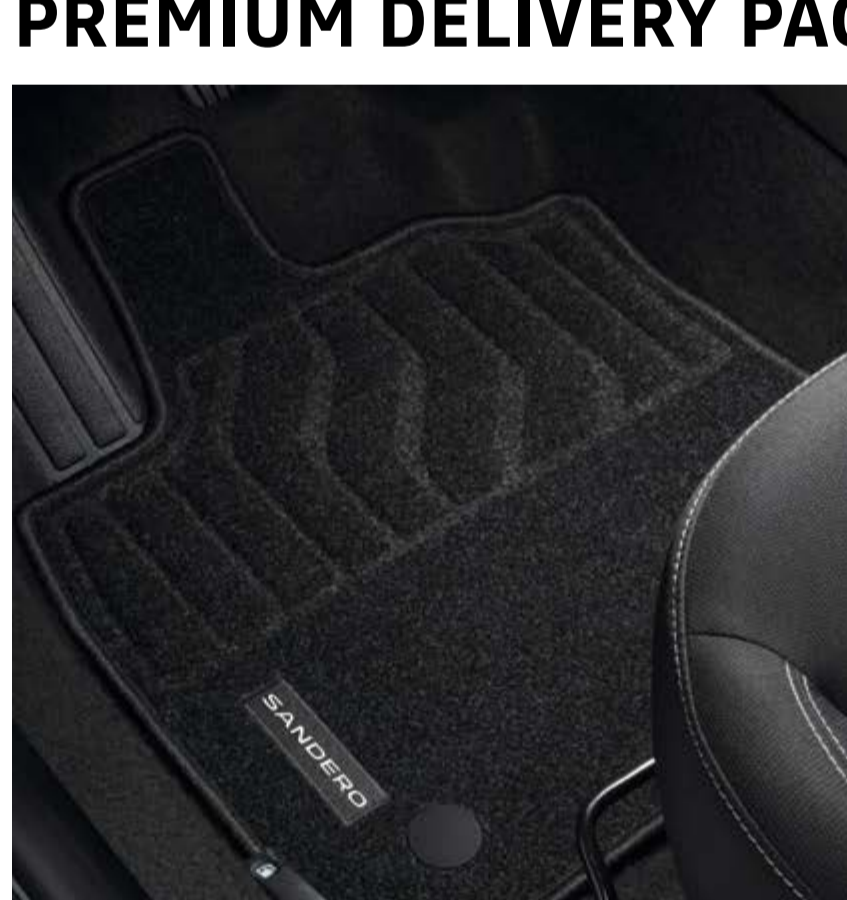
Swan neck towbar 13 pin

Removable towbar 13 pin

£579 inc. fitting

£687 inc. fitting

### PREMIUM DELIVERY PACKS



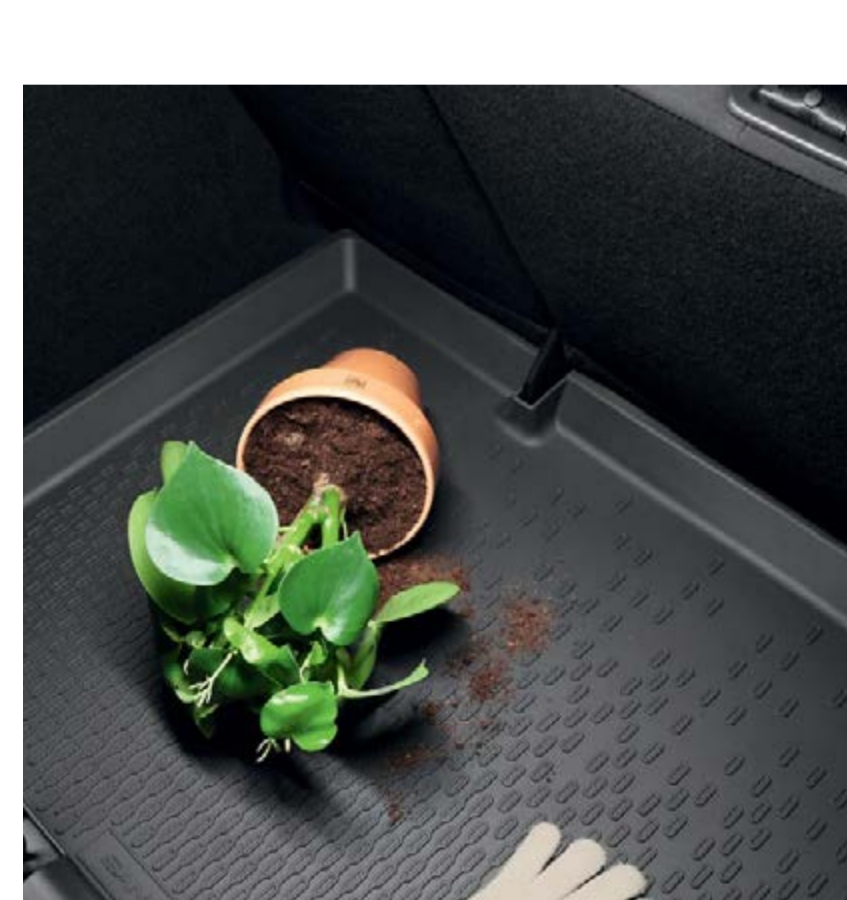
Premium mats



Safety kit



Key card wallet



Rubber boot mat

### PREMIUM DELIVERY PACK

£100

Premium mats

Safety kit

Key card wallet

### PREMIUM DELIVERY PACK+

£165

Premium mats

Safety kit

Key card wallet

Rubber boot mat

### SPARE WHEEL KIT

£290



All accessories purchased prior to vehicle registration come with a 3 year manufacturers warranty  
Accessories are fitted post production and may have an impact on WLTP fuel (actual) consumption and CO<sub>2</sub> figures

[DOWNLOAD THE ACCESSORIES BROCHURE](#)



## 06. ENGINES

	TCe 90	TCe 90 CVT	TCe 100 Bi-Fuel
<b>SANDERO ENGINES</b>			
Fiscal rating (CV) (France)	5	5	5
Fuel	Unleaded fuel (E10)	Unleaded fuel (E10)	Unleaded fuel (E10) + GPL
Max. power kW EEC (hp) at an engine speed of (rpm)	67 at 4,600-5,000	67 at 4,600-5,000	LPG mode: 74 at 4,600-5,000 Petrol Mode: 67 at 4,800-5,000
Max. torque Nm CEE (m.kg) at an engine speed of (rpm)	160 at 2,100-3,750	142 at 1,750-3,750	LPG mode: 170 at 2,000-3,500 Petrol Mode: 160 at 2,100-3,750
Gearbox type	Manual 5 gears	Auto-CVT	Manual 5 gears
Injection type	Turbo / injection indirect	Turbo / injection indirect	Turbo / injection indirect
Capacity (cm <sup>3</sup> )		999	
Number of cylinders/valves		3/12	
Emission control standard		Euro 6 DFull	

<b>CHASSIS AND STEERING</b>	
Tyre dimensions	185/65 R15 88H - 195/55 R16 87H
Direction turning circle, kerb to kerb (m)	10.53
Front suspension	Pseudo McPherson with lower wishbone, spiral spring suspension with telescopic hydraulic shock absorbers and anti-roll bar
Rear suspension	Semi-rigid axle with anti-roll bar spring suspension and telescopic hydraulic shock absorbers

<b>PERFORMANCE</b>				
			LPG	Petrol
Maximum speed (mph)	108	105	108	108
0-100 mph (s)	13.4	12.2	12.2	
Mid-range acceleration: 50 mph - 75 mph (s)	in 4 <sup>th</sup> in 5 <sup>th</sup>	11.6 20.1	12 19.1	12 20.2

<b>FUEL CONSUMPTION AND EMISSIONS<sup>(1)</sup></b>				
Approval protocol		WLTP <sup>(2)</sup>		
Fuel tank capacity fuel (l)	50	50	Petrol: 50 LPG 40	
CO <sub>2</sub> emissions (g/km) Best case - Worst case	119/120	129	LPG 105/106	Petrol 122/122
Fuel consumption during combined cycle (mpg) Best case - Worst case	53.3	49.6	43.5	52.3

<b>VOLUMES AND WEIGHTS</b>					
	ESSENTIAL	EXPRESSION/ JOURNEY	JOURNEY	ESSENTIAL	EXPRESSION/ JOURNEY
Minimum kerb weight	1,048	1,072	1,098	1,103	1,128
Maximum kerb weight	1,096	1,120	1,136	1,134	1,160
Gross train weight (GTW)	2,635	2,665	1,590	2,680	2,705
Maximum permissible laden weight (MPLW)	1,535	1,565	2,690	1,580	1,605
Max. braked towing weight	1,100	1,100	1,100	1,100	1,100

(1) Official consumption and emissions according to applicable regulations. (2) WLTP (*Worldwide Harmonised Light Vehicle Test Procedures*): this new protocol provides results much closer to those found in daily use compared to the NEDC protocol. Fuel consumption and CO<sub>2</sub> emissions are certified using a standard, regulatory method. This method is identical for all manufacturers and enables vehicles to be compared.

**CONFIGURE AND ORDER**



## 06. EQUIPMENT AND OPTIONS

	ESSENTIAL	EXPRESSION	JOURNEY
<b>EXTERNAL APPEARANCE</b>			
LED brand light	•	•	•
Automatic activation of daytime LED running lights	•	•	•
Grille	Black with white inserts	Black with white inserts	Black with white inserts
Dacia rear lettering	White	White	White
Front/rear bumpers	Body-coloured	Body-coloured	Body-coloured
Exterior door handles	Black	Body-coloured	Body-coloured
Door mirrors	Black	Body-coloured	Painted black
15" sheet metal Elma wheels	•	-	-
16" Atara flexwheels	-	•	-
16" Randia alloy wheels	-	-	•
Shark fin antenna	-	-	•
<b>INTERIOR APPEARANCE</b>			
Centre of air vents	Black and white sliders	White and white sliders	White and white sliders
Air vent surrounds	Fog Grey	Fog Grey	Fog Grey
Interior door handles	Black	Steel Grey	Steel Grey
Upholstery on the dashboard and front door armrests/trim on the front door panels	-/-	Fabric/-	Fabric/-
Split-fold rear bench 1/3 & 2/3	•	•	•
Soft feel steering wheel	-	•	•
Front door sill protection	-	-	•
Floor mats	-	-	•
Special Essential upholstery	•	-	-
Special Expression & Journey upholstery	-	•	•
<b>ACTIVE AND PASSIVE SAFETY</b>			
My Safety button to manage driver assistance systems	•	•	•
Anti-locking braking system (ABS) + Emergency Brake Assist (EBA)	•	•	•
Automatic emergency suburban braking with pedestrian/cyclist detection	•	•	•
Electronic Stability Control (ESC) with Hill Start Assist (HSA)	•	•	•
Emergency call (E-call)	•	•	•
Event (accident) data logger	•	•	•
Vehicle pre-configuration for alcolock immobiliser	•	•	•
Traffic sign recognition with speed alert	•	•	•
Lane change warning	•	•	•
Lane keeping assist	•	•	•
Driver attention alert	•	•	•
Front / rear "Rescue Code®" QR Code	•	•	•
Driver's front airbag / passenger's side airbag, can be deactivated	•/•	•/•	•/•
Shoulder and curtain side airbags	•	•	•
Rear parking sensors	•	•	•
Rear parking sensors with rear view camera	-	•	•
Front and rear parking sensors with camera	-	-	•
Blind spot warning	-	-	•
Electric parking brake with armrest with storage, 1 12V socket and 1 USB-C socket in the rear	-	-	•
Tyre pressure detection	•	•	•
Spare wheel + jack (excluding TCe 100 Bi-Fuel versions)	o	o	o
Tyre inflation kit	•	•	•
Isofix child seat mounting system on rear side seats	•	•	•
180 km/h / 112 mph sped limiter	•	•	•

- : not available. • : available as standard. o : available as an option.



## DRIVING AND CONTROL INSTRUMENTS

Rain and light sensors	•	•	•
Keyless entry	-	•	•
Power assisted steering	•	•	•
Stop & Start	•	•	•
On-board computer: distance travelled, average speed, range, average fuel consumption (including LPG)	•	•	•
Speed limiter / cruise control	•	•	•

## VISIBILITY

Front fog lights	-	•	•
Door mirrors with interior manual adjustment	•	-	-
Electrically adjustable door mirrors	-	•	•

## COMFORT

Manual heating and air conditioning system	•	•	-
Automatic heating and air conditioning system	-	-	•
Electric door locking with radio frequency remote control	•	•	•
Automatic locking of doors when in motion	•	•	•
Driver and passenger electric front windows	•	•	•
One-touch driver-seat window control (with anti-trapping function), non one-touch passenger side	-	•	•
Electric rear windows	-	•	•
Height- and reach-adjustable steering wheel	•/-	•/•	•/•
Front ceiling light	•	•	•
1 front 12 V socket	•	•	•
Modular boot with twin-level floor	-	-	•

## MULTIMEDIA & AUDIO

New Media Control: DAB radio with steering wheel controls, jack socket and 2 speakers, Bluetooth® telephone system with satellite controls on the steering wheel, fixed smartphone holder on the dashboard, new Dacia Media Control smartphone app	•	-	-
Media Display: multimedia system with 8" touchscreen, DAB digital radio, smartphone mirroring via USB cable, Bluetooth® connection, satellite controls on steering wheel, 4 speakers and 1 USB-A socket	-	•	-
Media Nav: multimedia system with 8" touchscreen, navigation with MAP CARE + 6 free updates for 3 years), DAB digital radio, smartphone mirroring via USB cable or wireless via Wi-Fi, Bluetooth® connection, satellite controls on steering wheel, 6 speakers (4 loudspeakers +2 tweeters) and 1 USB-A socket	-	-	•
Removable telephone holder	-	-	•

- : not available. • : available as standard; o : available as an option.

**CONFIGURE AND ORDER**



# PRICING

	CO <sub>2</sub> G/KM WLTP	FUEL TYPE	COMBINED FUEL CONSUMPTION (MPG) - WLTP	HP	BENEFIT IN KIND	VED YEAR 1	BASIC PRICE	VAT 20%	TOTAL RETAIL PRICE	ON THE ROAD PRICE*
<b>ESSENTIAL</b>										
TCe 90 MY24	119	Petrol	53.3 (5.3)	90	28%	£220	£10,770.83	£2,154.17	£12,925	£13,795
TCe 100 Bi-Fuel MY24	122 (Petrol)/106 (LPG)	Petrol/LPG	52.3 (5.4) & 43.5 (6.5)	100	29%	£210	£10,779.17	£2,155.83	£12,935	£13,795
<b>EXPRESSION</b>										
TCe 90 MY24	119	Petrol	53.3 (5.3)	90	28%	£220	£11,604.17	£2,320.83	£13,925	£14,795
TCe 100 Bi-Fuel MY24	122 (Petrol)/105 (LPG)	Petrol/LPG	52.3 (5.4) & 43.5 (6.5)	100	29%	£210	£11,612.50	£2,322.50	£13,935	£14,795
<b>JOURNEY</b>										
TCe 90 MY24	119	Petrol	53.3 (5.3)	90	28%	£220	£12,437.50	£2,487.50	£14,925	£15,795
TCe 90 Auto MY24	129	Petrol	49.6 (5.7)	90	30%	£220	£13,687.5	£2,737.5	£16,425	£17,295
TCe 100 Bi-Fuel MY24	122 (Petrol)/106 (LPG)	Petrol/LPG	52.3 (5.4) & 42.8 (6.6)	100	29%	£210	£12,445.83	£2,489.17	£14,935	£15,795

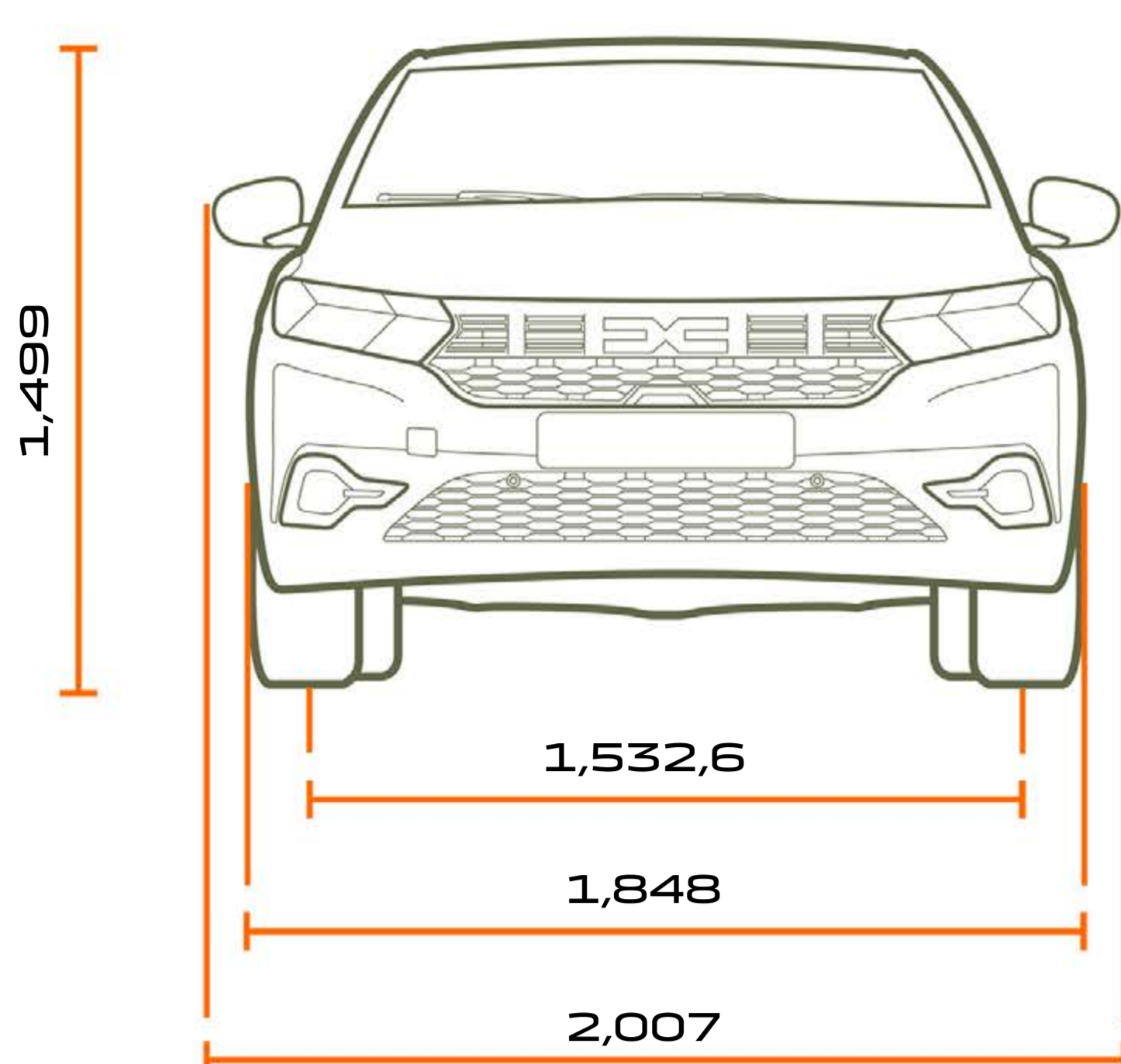
\* "On the Road" price includes delivery to the dealer premises, number plates, 12 months government road fund license (depending on CO<sub>2</sub> emissions) and First Registration Fee at £55.

# OPTIONS

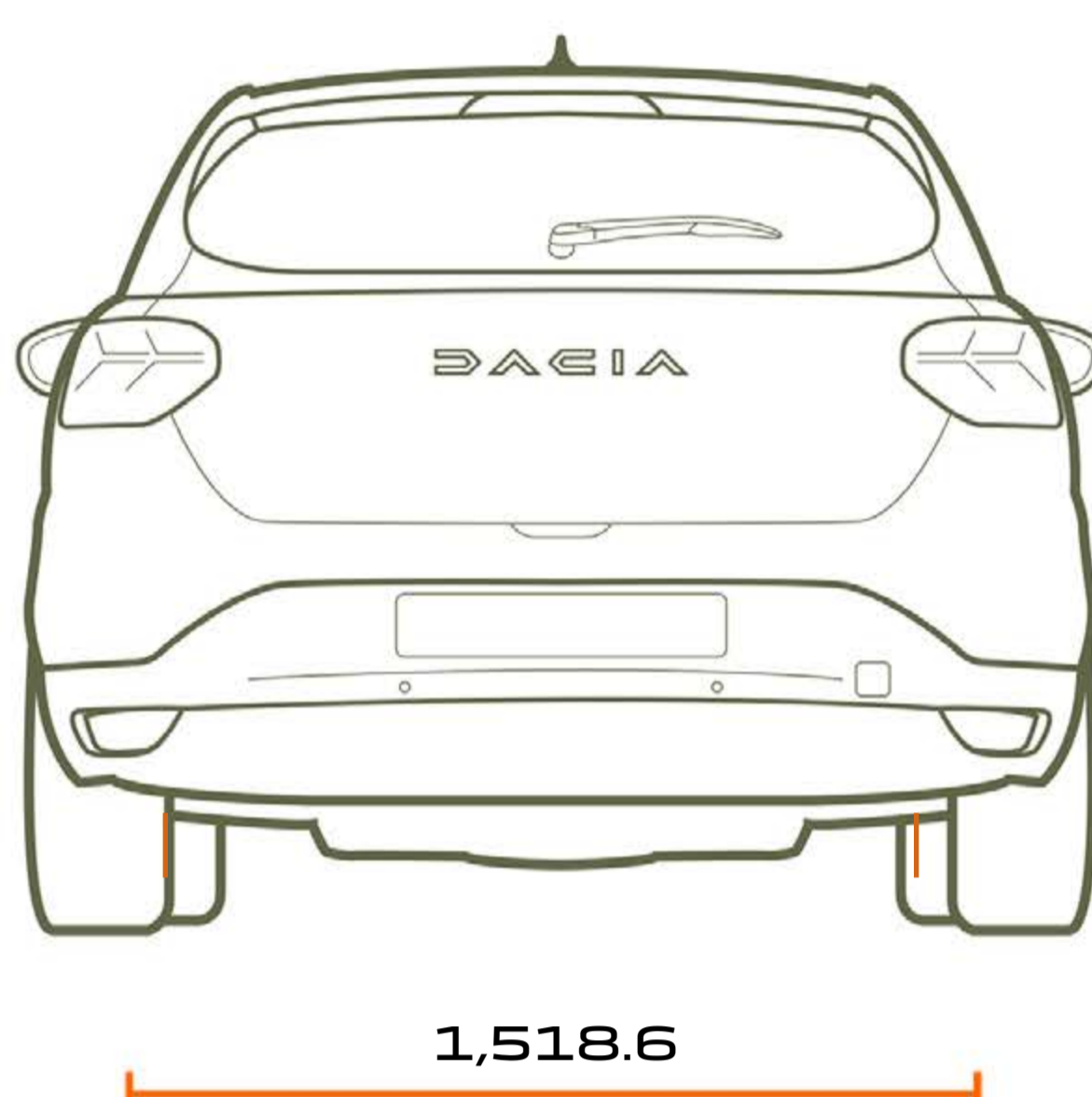
	ESSENTIAL	EXPRESSION	JOURNEY	BASIC PRICE	VAT 20%	TOTAL RETAIL PRICE
Metallic & opaque paint	○	○	○	£541.67	£108.33	£650
Spare Wheel (excluding Bi-Fuel)	○	○	○	£250.00	£50.00	£300



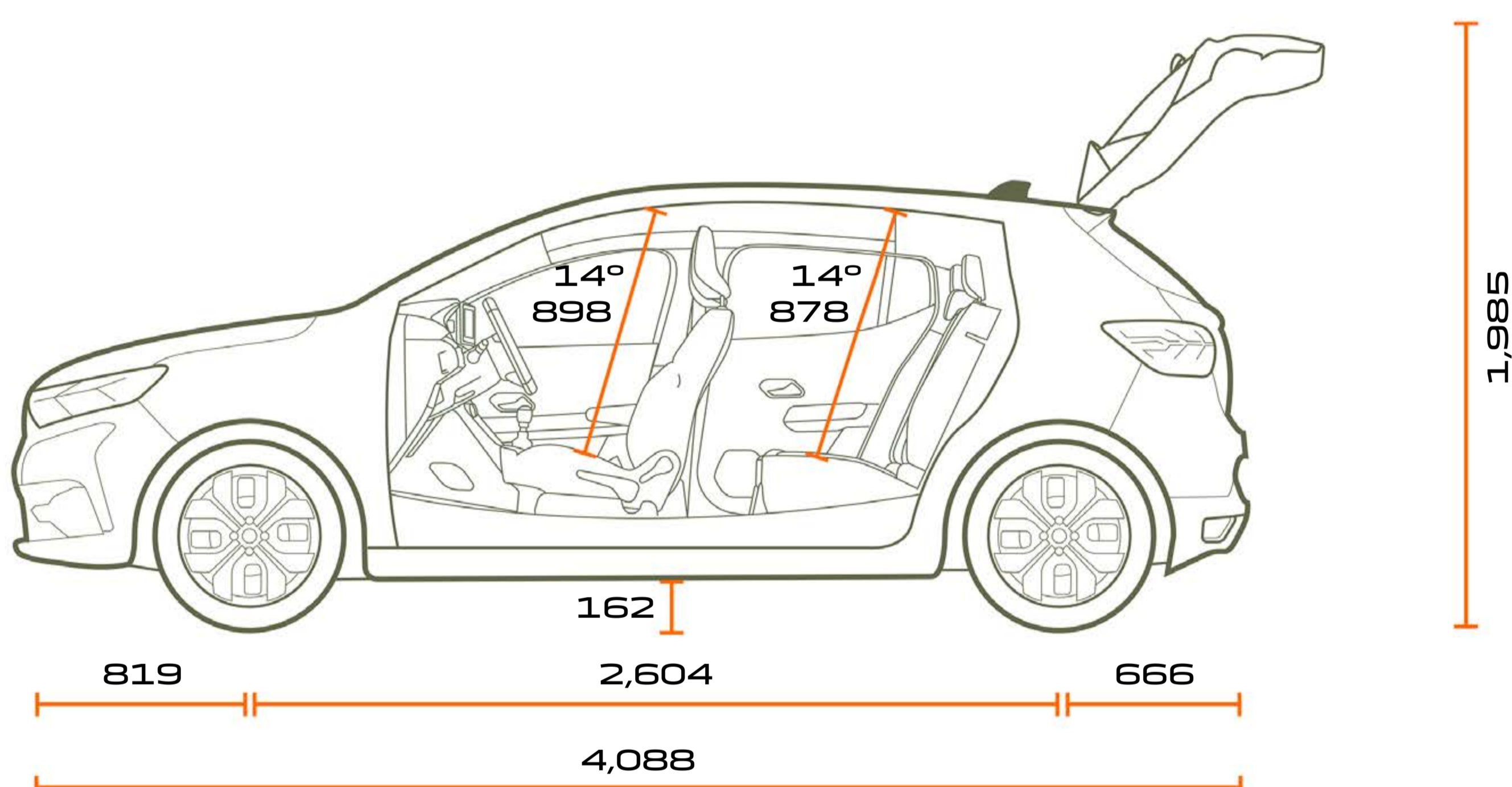
## 06. DIMENSIONS



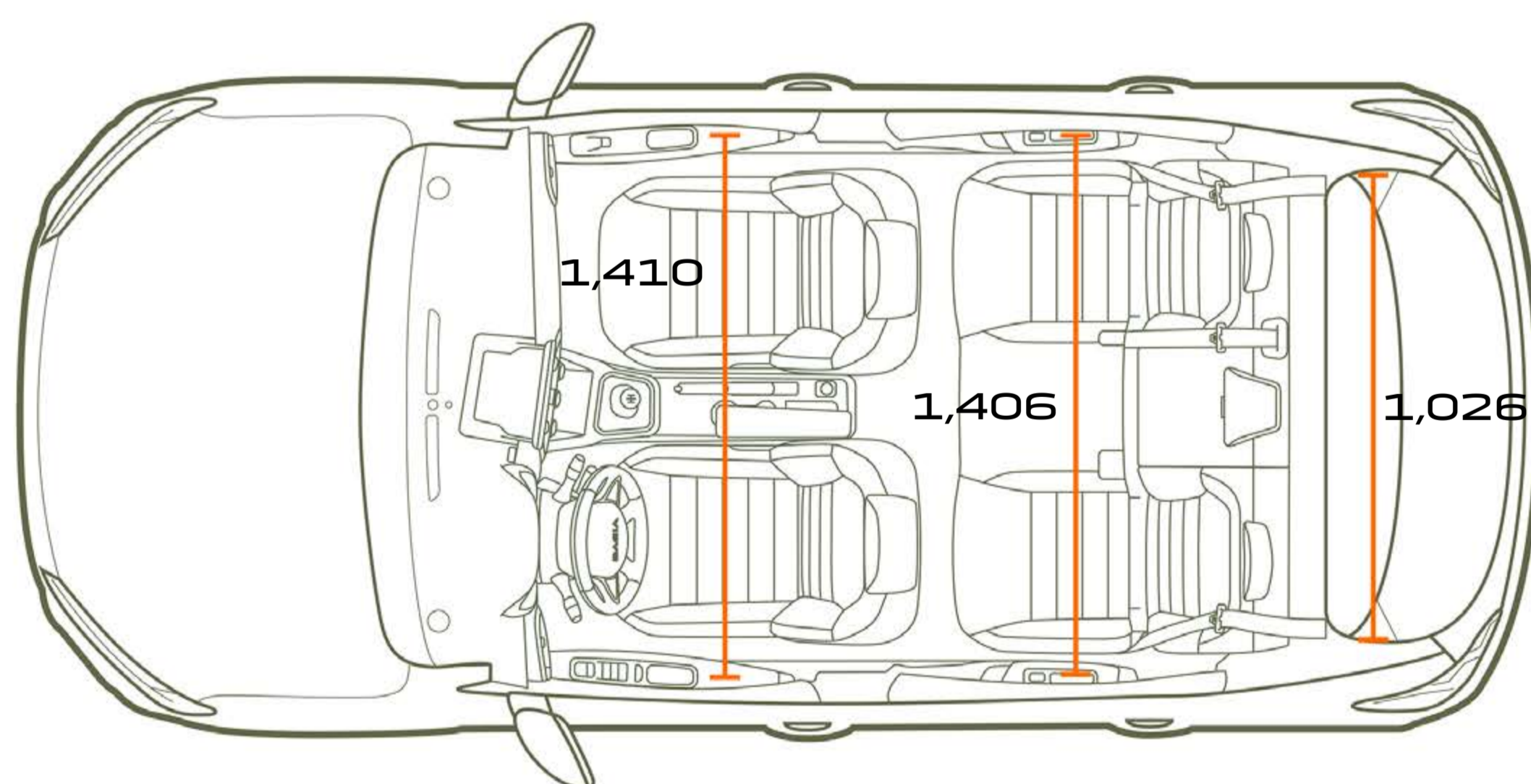
**FRONT VIEW**



**REAR VIEW**



**SIDE-FACE VIEW**



**TOP VIEW**

**BOOT**

(IN DM<sup>3</sup> - VDA STANDARD / LITRES)

Minimum boot volume (ISO 3832)	328/410
Maximum boot volume (ISO 3832)	1,108/1,455
Volume under false floor (ISO 3832)	78

Dimensions in mm.

**CONFIGURE AND ORDER**



ENJOY THE RIDE WITH  
**DACIA ZEN**



## **DACIA ZEN ENABLES OWNERS TO ENJOY UP TO SEVEN YEARS OF WARRANTY**

- Brand new Dacia Zen warranty offers Dacia owners up to seven years of cover
- It's applicable to all Dacia models under six years old which have covered less than 75,000 miles
- Warranty is complimentary with every service completed at an official Dacia retailer
- Dacia Zen is available to owners of qualifying vehicles even if their Dacia has been previously serviced outside of the official Dacia retail network

## **WHO BETTER TO LOOK AFTER YOUR DACIA, THAN DACIA?**

Are you the proud owner of a new or used Dacia? If your vehicle is less than 6 years old and has covered less than 75,000 miles you can get up to 7 years warranty with Dacia\*

It's simple. Get your Dacia serviced by one of our expert retailers after your standard 3-year warranty expires and enjoy a Dacia ZEN warranty for a year or 18,000 miles (whichever comes sooner).

Enjoy the ride with Dacia ZEN.



Your Dacia is less than 6-years old and has done less than 75,000 miles



Have your next manufacturer service carried out in our retailer network



Get an additional 1-year of warranty\*

\*Warranty activated following service at participating Dacia Dealers. Valid for 1 year or 18,000 miles (whichever comes first). Vehicles over 6 years old or 75,000 miles not eligible. Full T&Cs apply.

[BOOK A SERVICE](#)



# WE'VE GOT YOU COVERED

You might think our shockingly affordable prices mean our cars aren't made to last. Actually, the Dacia range is one tough cookie. To prove it, you get a 3-year\* warranty (or 60,000 miles, if you reach that first). This means we will replace any part which has been deemed by a Dacia approved dealer to be defective due to a manufacturing fault, free of charge. To keep the good times rolling, you can extend your warranty up to 7 years for a great price. We also give you a 2-year paintwork and 6-year anti-corrosion warranty, so you can kick back knowing that your Dacia will stay looking good-as-new for years to come.

## ROADSIDE ASSISTANCE

Although our cars are built for plain sailing, you can rely on us if you have a breakdown – 24/7 365, wherever you are in the UK or Northern Ireland. This offer also stands for the first 3 years/60,000 miles<sup>Δ</sup> after you buy your new Dacia.

## DACIA CAR INSURANCE 1

Dacia Insurance has been specifically created to provide superb protection for you and your car. Unlike most other UK insurers, in the event of an accident, your Dacia will be repaired at a Dacia Approved Bodyshop using only Dacia approved parts and approved repair methods. This maintains your Dacia's safety rating, protects its resale value and helps to maintain its Dacia warranty<sup>Λ</sup>. Dacia Insurance also offers a courtesy car for the duration of a repair at a Dacia Approved Bodyshop.

**Dacia car insurance: 0330 102 7795 [www.daciacarinsurance.co.uk](http://www.daciacarinsurance.co.uk)**  
Lines are open Mon - Thurs 8.30am - 7pm, Fri 9am - 6pm, Sat 9am - 5pm

## SERVICING

Dacia Service Plans are the ultimate hassle free way to take care of your vehicle. Depending on the Service plan you purchase (grid below) your servicing needs are covered and you benefit from;

- Inflation Proof Servicing – You know exactly what you'll pay and there are no hidden costs
- Peace of Mind – No matter where life takes you, we'll be there in over 5000 workshops across Europe
- Dacia Expertise & Quality – Our highly trained technicians know your Dacia inside out

The Dacia Service Plan contains Dacia services in-line with the manufacturer's service schedule, plus comes with a complimentary vehicle health check to ensure your Dacia is in the best condition possible.

SERVICE PLAN <sup>^</sup>	Monthly payments
3 years / 30,000 miles Service Plan	£13.99 per month
3 years / 45,000 miles Service Plan	£21.99 per month
4 years / 48,000 miles Service Plan + 1 MOT	£20.99 per month
4 years / 60,000 miles Service Plan +1 MOT	£24.99 per month

ICE EXTENDED WARRANTY	Total Retail Price
1 years / 100,000 miles <sup>†</sup>	£415
2 years / 100,000 miles <sup>†</sup>	£445
3 years / 100,000 miles <sup>†</sup>	£560
4 years / 100,000 miles <sup>†</sup>	£690

Dacia Extended warranty ends when you reach the age or mileage limit (whichever comes first). All prices including VAT.

## SERVICE INTERVALS<sup>◇</sup>

Annual servicing **OR** servicing at 18,000 miles (whichever comes first)

Service Schedule <sup>◇</sup>	Year 1	Year 2	Year 3	Year 4	Year 5	Year 6
	Change Cabin Filter	Change Oil + Oil Filter	Change Cabin filter + Brake Fluid	Change Oil + Oil filter + Air filter (36k miles) + Spark Plugs (36k miles)	Change Cabin filter + Coolant (90k miles)	Change Oil + Oil Filter + Brake Fluid + Accessory Belt (90k miles)

\*Dacia warranty ends when you reach the age or mileage limit (whichever comes first), from date of registration. Subject to status, terms and conditions apply. For full Dacia Extended Warranty Terms and Conditions visit [www.dacia.co.uk/warranty-and-assistance/warranty](http://www.dacia.co.uk/warranty-and-assistance/warranty)

<sup>Δ</sup>Roadside assistance for the first 3 year / 60,000 miles, which ever is reached first, from date of registration. For full Terms and Conditions visit [www.dacia.co.uk/warranty-and-assistance/assistance](http://www.dacia.co.uk/warranty-and-assistance/assistance)

<sup>†</sup> Dacia Extended warranties are available to purchase from first date of registration up to end of manufacturer warranty. For full Dacia Extended Warranty Terms and Conditions visit [www.dacia.co.uk/warranty-and-assistance/warranty](http://www.dacia.co.uk/warranty-and-assistance/warranty)

<sup>^</sup>The Service plan offer is available for eligible retail vehicles only and valid at participating dealers only. Vehicles must be ordered between 1 October 2024 to 16 December 2024 and registered by 31 March 2025. The Dacia Service plan covers the manufacturer's minimum maintenance programme requirements for the term of the Service plan purchased (refer to the Warranty and Service sheet in the Handover Document wallet for details). The plan ends when you reach the age or mileage limit (whichever comes first). Services must be carried out in line with the manufacturer's minimum maintenance programme requirements and servicing intervals do not cover +/- 1 month or 1,000 miles of the service interval and can only be carried out at a Dacia Approved outlet. Service plans do not cover wear and tear items such as (but not limited to) tyres, wiper blades or brakes. For Service plan full Terms & Conditions visit [www.dacia.co.uk/services-and-finance/service-plan](http://www.dacia.co.uk/services-and-finance/service-plan). Cannot be part exchanged, refunded or transferred.

<sup>◇</sup> The service schedule and intervals are specific to the version and derivative of vehicle. Check with your Dacia retailer to confirm the service schedule / intervals as the above is an indicative guideline.

<sup>1</sup> Dacia Insurance is arranged and administered by Verex Insurance Services Ltd, which is registered in England and Wales No. 05686831 at Batchworth House, Church Street, Rickmansworth, Herts, WD3 1JE and authorised and regulated by the Financial Conduct Authority, No. 487185. Verex Insurance Services Ltd arranges policies from a panel of insurers, details are available on request.

<sup>Λ</sup>If your insurer uses non-approved parts which subsequently fail, they may not be covered under your manufacturer's warranty.





# DACIA

The contents of this brochure were accurate and up-to-date at the time of publication. This document was produced based on pre-series or prototype vehicles. As part of its policy of continuous product improvement, Dacia reserves the right, at any time, to make changes to the specifications and vehicles and accessories described and illustrated. These modifications are notified to Dacia dealers as soon as possible. Depending on the country of sale, versions may differ, and some equipment may not be available (as standard, optional, or accessory). Please consult your Dacia representative for the most up-to-date information. Due to the limitations of printing, the colors shown in this document may slightly differ from the actual paint colors or interior trim materials. All rights reserved. Reproduction, in whole or in part, of this brochure in any form or by any means is prohibited without the prior written authorization of Dacia.

Dacia recommends  Castrol

PUBLICIS - PHOTO CREDITS: S. STAUB, BAM (BEN & MARTIN), ©RENAULT MARKETING 3D-COMMERCE – OCTOBER 2024



**CONFIGURE  
AND ORDER**

**BOOK  
A TEST DRIVE**

**FIND YOUR  
DEALERSHIP**