

DACIA

# DACIA SANDERO



3rd April 2024

1

## EXPLORE YOUR SANDERO

DISCOVER



2

## YOUR SANDERO FOR DAILY USE

DISCOVER



3

## EQUIPMENT AND TECHNICAL CHARACTERISTICS

DISCOVER



4

## THE DACIA SPIRIT: GOOD THINKING

DISCOVER



# JUST ESSENTIAL



# A UNIQUE ALLY FOR THE DAY-TO-DAY

Dacia Sandero fits better than ever with your lifestyle and desires. Its lines combine robustness and dynamism in a sleek and distinctive design. Stylish, practical, modern, it offers the essential equipment and comfort to make every journey a moment of pleasure.



# THE POWER OF WHAT IS ESSENTIAL

Admire the style of Dacia Sandero, a combination of robustness and dynamic lines: simply stunning. Its front and rear Y-shaped brand light puts the finishing touches on a strong and modern identity. Its LED dipped headlights will light up the road at night like never before.



The black radiator grille with touches of white adds to its personality. The Sandero spirit that you enjoy so much is also found in the details: in the body-tone door mirror shells and in the range of wheels.



**Brand light**



**Rear Y-Shaped brand light**



## ALL YOU NEED IS WITHIN EASY REACH

From the moment you step in thanks to the automatic remote opening, you feel comfortable in a welcoming and modern setting. Its panoramic dashboard combines elegance and efficiency. The driver-focused dashboard provides easy access to all the functions: intuitive heating and air-conditioning system controls, built-in 8-inch screen with navigation and replication of the applications on your smartphone USB, rear parking sensors, as well as height- and depth-adjustable steering wheel.



Keyless entry and start card



Instrument panel with digital display

[BUILD YOURS](#)

[MENU](#)

# SPACIOUSNESS AND VERSATILITY

Thanks to one of the best interior spaces in its category, generous storage compartments and a spacious trunk, the Dacia Sandero adapts to your daily life. And always benefit from the latest features that allow you to drive with peace of mind.

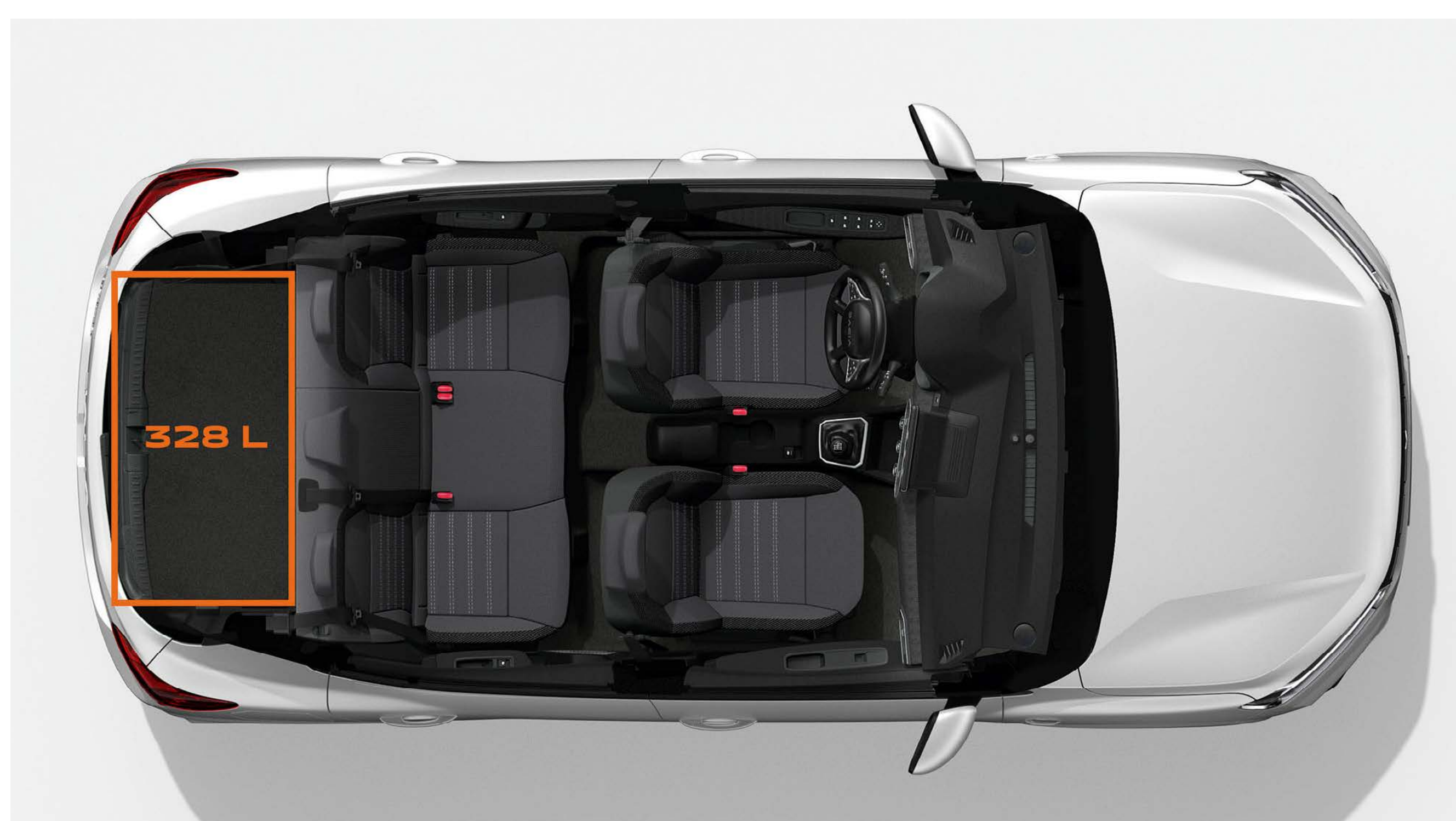


# TAKE CONTROL OF THE SPACE

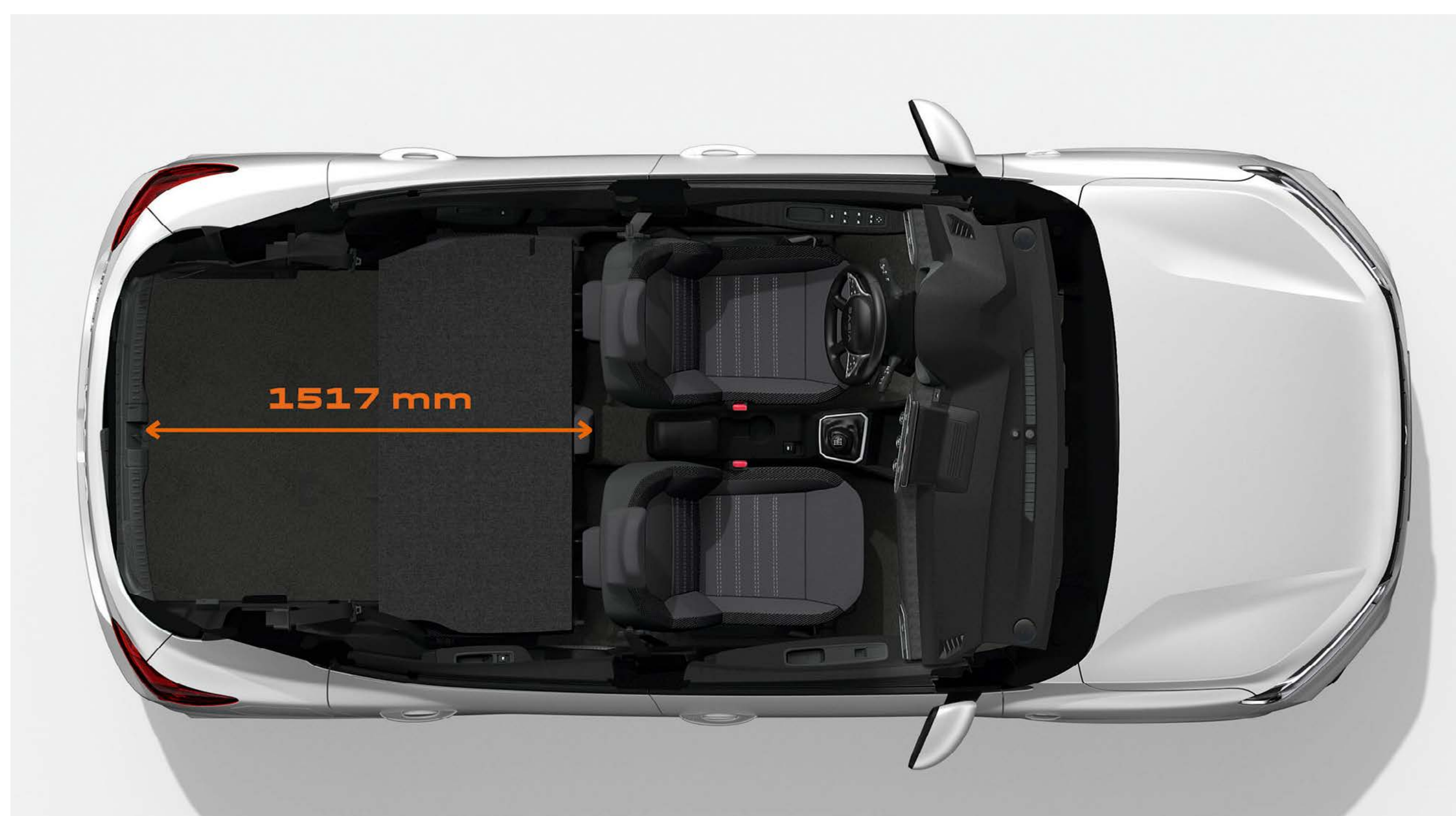
Dacia Sandero perfectly adapts to your life. And it has the resources, with its large boot and rear folding bench seat, to adapt the space to your requirements. It also comes with a lot of storage space: cup holders, door bin, closed glovebox and storage console that perfectly meet your organisational requirements.



The generous width at the shoulders for the driver and the leg room for passengers in the rear provide optimum comfort.



**Boot volume: 328 litres**



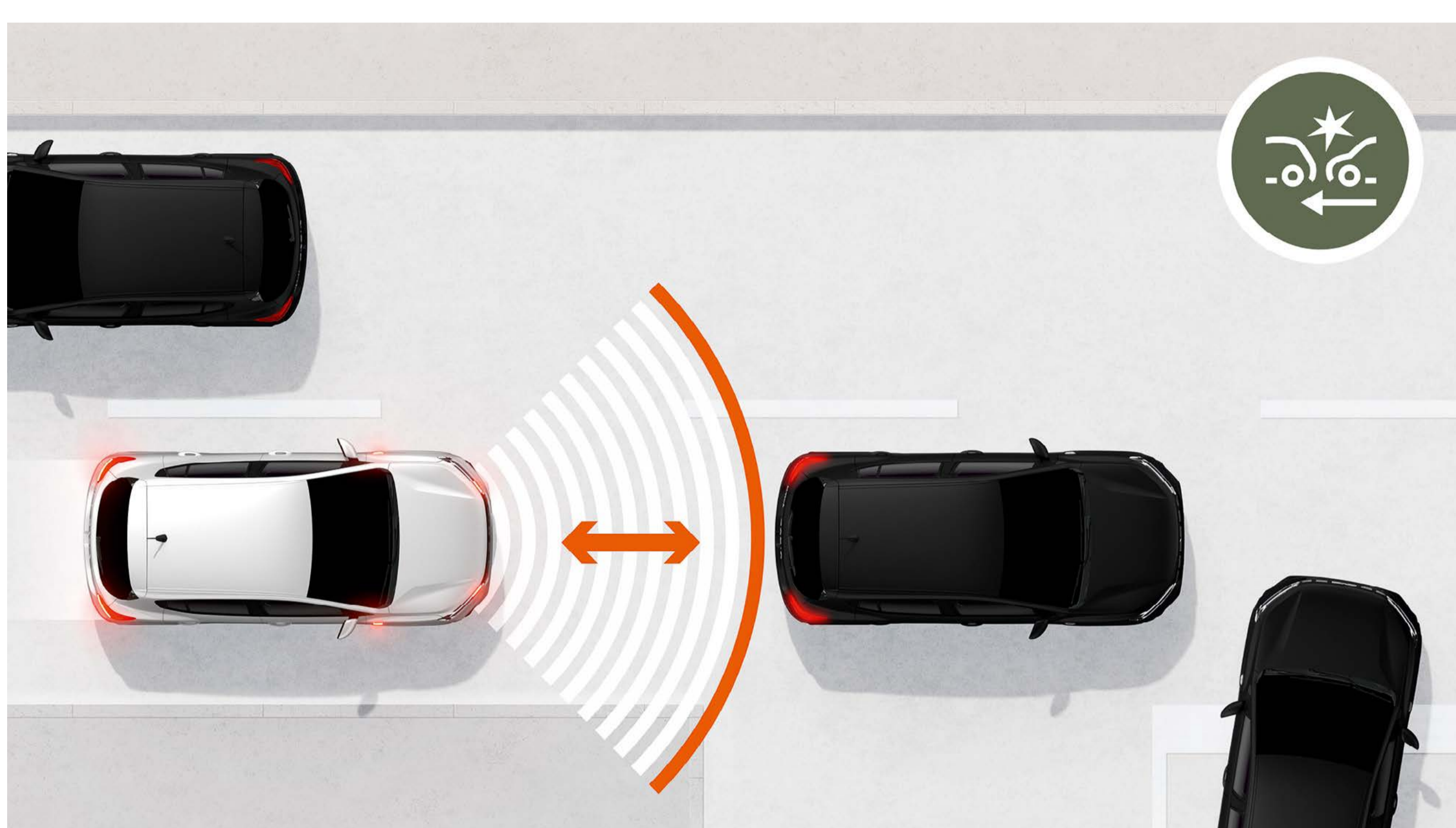
**Rear bench seat folded down: 1,108 litres of boot volume**



# SAFE EVERY STEP OF THE WAY

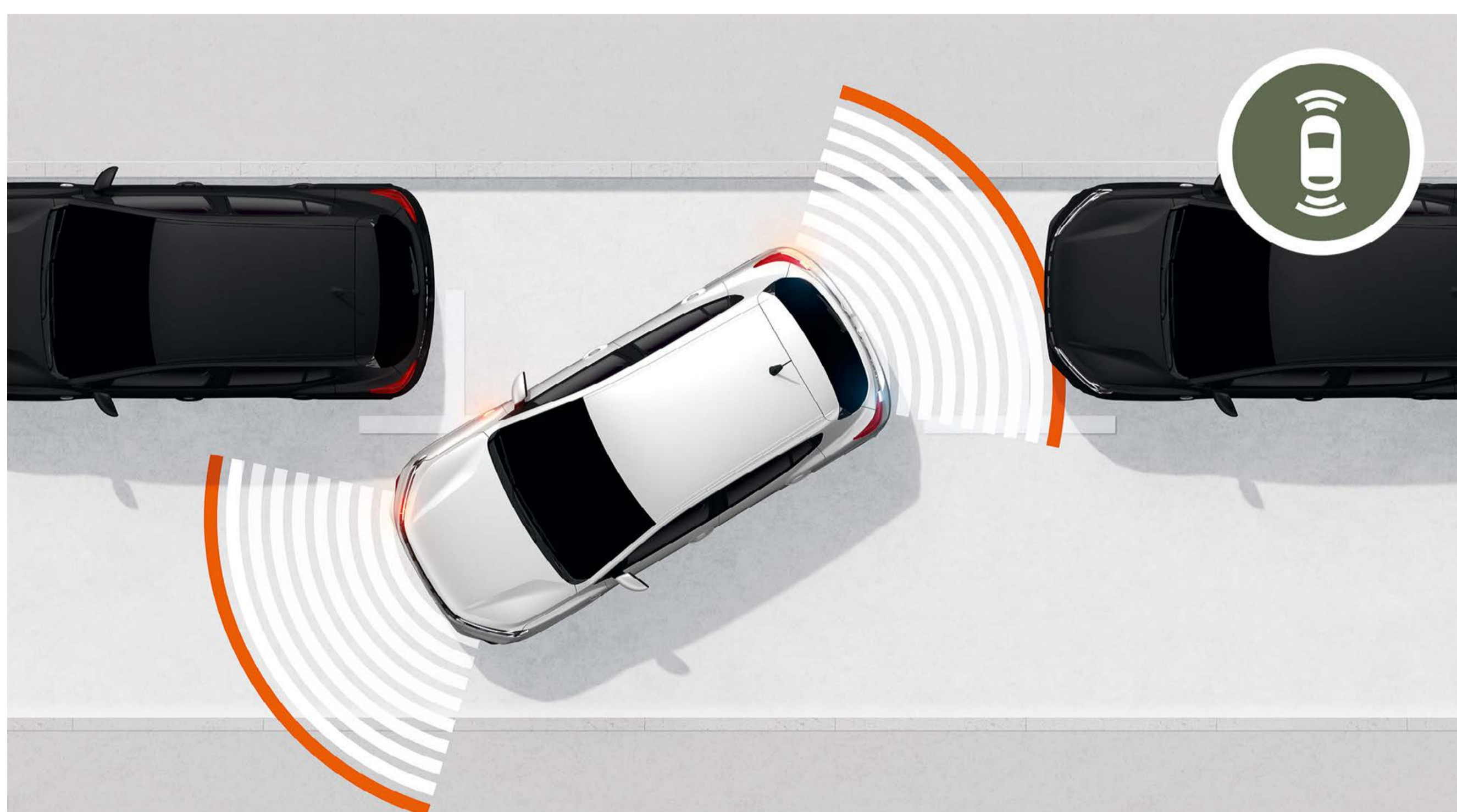
For Dacia, nothing is more important than constantly improving the safety of our vehicles, and most of all, that of the passengers. What with automatic emergency braking, hill start assist and six airbags (standard) you can relax.

Dacia Sandero and Sandero provide everything you need for worry-free driving.



## AUTOMATIC EMERGENCY BRAKING

Sometimes, concentrating and being reactive is not enough. You can rely on Sandero to avoid or mitigate minor accidents. Automatic emergency braking detects collision hazards. If you don't react or if you don't react quickly enough, your system triggers and optimises braking.



## REAR PARKING SENSORS AND REAR-VIEW CAMERA

In the city, all parking spaces are worth taking, even the narrowest ones. You will be won over from the first manoeuvre by the sensing device that warns you with an audible and visual signal as soon as an obstacle is detected at the rear of the vehicle.



## HILL START ASSIST

No need to stress when you start on a slope! This function immediately prevents the vehicle from moving backwards when you release the brake pedal. You no longer have to grab the parking brake to help you; manoeuvring your vehicle is as easy as ABC.

[BUILD YOURS](#)

[MENU](#)

# DISCOVER THE EQUIPMENT

COLOUR PALETTE



HUBCAPS & WHEELS



AMBIANCES



ACCESSORIES



ENGINES



EQUIPMENT & OPTIONS



PRICING



SERVICING



DIMENSIONS



# COLOUR PALETTE

GLACIER WHITE	PEARL BLACK	SHADOW GREY	IRON BLUE	URBAN GREY
---------------	-------------	-------------	-----------	------------

CEDAR GREEN
-------------



GLACIER WHITE<sup>(1)</sup>



PEARL BLACK<sup>(2)</sup>



SHADOW GREY<sup>(2)</sup>



IRON BLUE<sup>(2)</sup>



URBAN GREY<sup>(3)</sup>



CEDAR GREEN<sup>(3)</sup>

(1) Solid paint.  
 (2) Metallic paint.  
 (3) Special paint.  
 Non-binding photos

COLOUR AVAILABILITY		Essential	Expression	Journey
<b>SOLID PAINT</b>				
369	Glacier White	○	○	○
<b>METALLIC PAINT</b>				
676	Pearl Black	○	○	○
KQG	Shadow Grey	-	○	○
DQK	Cedar Green	-	○	○
RQH	Iron Blue	-	○	○
<b>SPECIAL PAINT (PRICED AS METALLIC)</b>				
KPW	Urban Grey	○	○	○

○ = Optional. - = Not available.

# HUBCAPS & WHEELS



**15" STEEL WHEEL WITH "ELMA" STYLER**



**15" FLEX WHEEL ATARA**



**16" ALLOY WHEELS RANDIA**

# AMBIANCES

## ESSENTIAL



## MAIN EQUIPMENT

### EXTERIOR PRESENTATION

- New grille integrating the new logo and white decorative inserts
- LED signature lighting
- LED automatic daytime running lights
- Body-colored front and rear bumpers
- Black exterior door handles
- Black exterior mirrors
- 15" Elma wheel trims

### INTERIOR PRESENTATION

- Fog Grey interior decor elements
- Fog Grey air vent surrounds and white sliders
- Black Titane door panels
- Black interior door handles
- 1/3-2/3 split-folding rear bench seat backrest
- Specific Essential upholstery
- Electric door locking with remote control key

### ACTIVE AND PASSIVE SAFETY

- ABS (Anti-lock Braking System) & EBA (Emergency Brake Assist)
- ESP (Electronic Stability Control) + HSA (Hill Start Assist)
- E-call emergency call system
- Driver and front passenger deactivatable airbags
- Front thorax and head curtain airbags (front + rear)
- Front and rear lateral seat belts with pre-tensioner and load limiter
- Tire pressure monitoring system
- Hill Start Assist
- Tire inflation kit
- Isofix child seat mounting system for the rear side seats
- 180 kmh / 112 mph Speed Limiter
- Alcohol Immobiliser predisposal
- Event Data Recorder

- Advanced Emergency Braking System (AEBS)
- Traffic sign recognition with speed alert/Intelligent Speed Assist (ISA)
- Lane Departure Warning (LDW) + Lane Keep Assist (LKA)
- Rescue Code
- «My Safety» button

### DRIVING AND CONTROL DEVICES

- Electric power steering
- Stop & Start, ECO mode
- On-board computer: distance traveled, average speed, range, average consumption (including GPL)
- Speed limiter with audible warning / cruise control

### VISIBILITY

- Manual interior mirror adjustment

### COMFORT

- Electric front windows for driver and passenger
- Height-adjustable steering wheel
- Front ceiling light
- 1 USB-C socket in the front
- Manual air conditioning

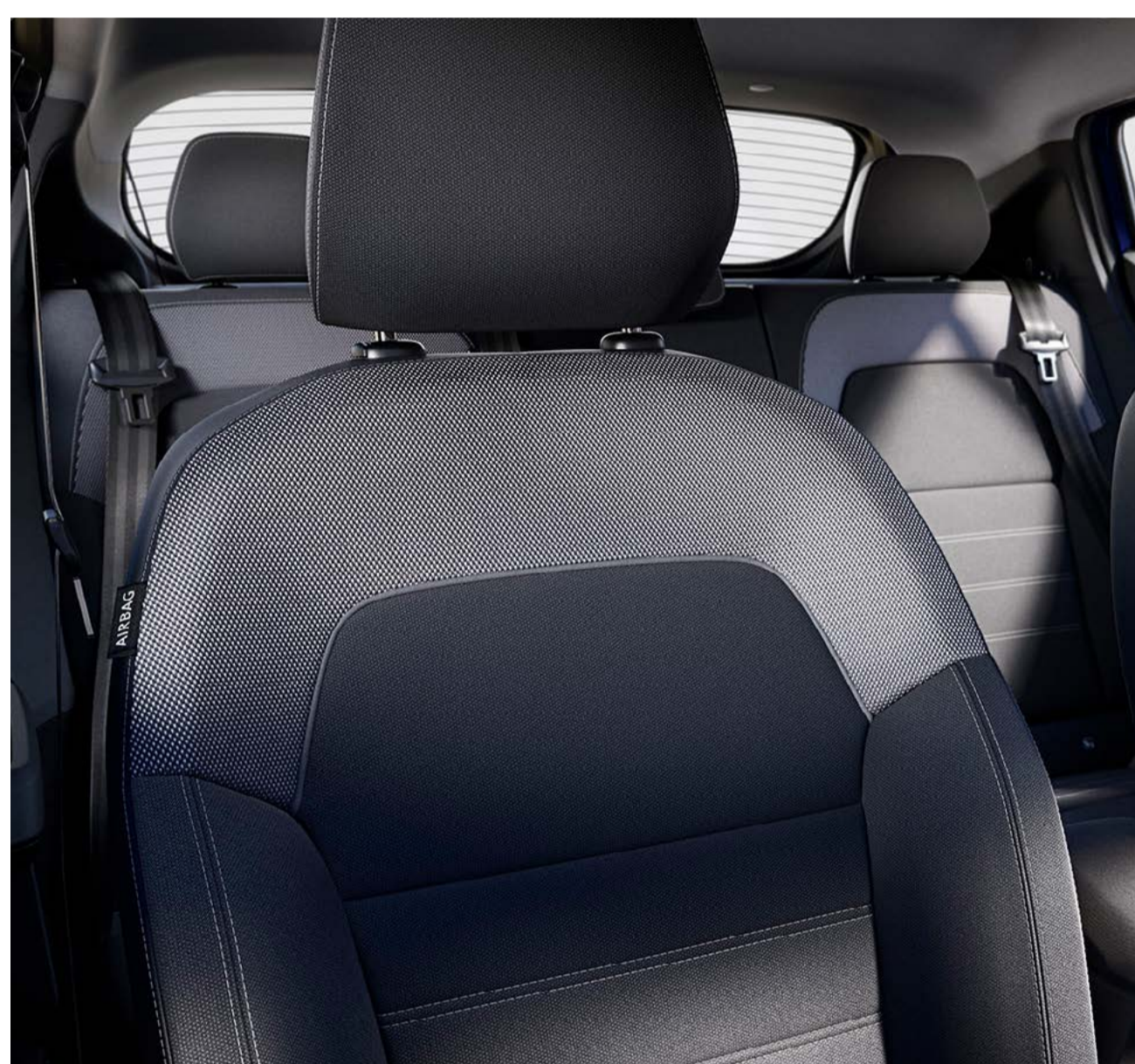
### AUDIO

- Audio pre-equipment
- Media Control: DAB radio with steering wheel controls, integrated display in the on-board computer screen, fixed smartphone holder on the dashboard, 4 front speakers, Bluetooth® connection, Dacia Media Control mobile application

### OPTIONS

- Available only in Glacier White (Solid), Pearl Black (Metallic), Urban Grey (Metallic)

## EXPRESSION



### MAIN EQUIPMENT EXPRESSION = ESSENTIAL+

#### EXTERIOR FEATURES

- Body-colored mirrors
- 15" Atara Flexwheel wheel trims

#### INTERIOR FEATURES

- Fog Grey air vent surrounds
- Fog Grey interior door handles
- Fabric covering on dashboard and front door armrests
- Expression-specific upholstery
- Soft feel steering wheel adjustable for height and depth

#### DRIVING AND CONTROL DEVICES

- Rear parking sensors and reversing camera

#### VISIBILITY

- Fog lights
- Electrically adjustable exterior mirrors

#### COMFORT

- Automatic wipers
- Automatic door locking when driving
- 4 electric windows with driver's side one-touch function
- Front ceiling light
- Keyless entry

#### AUDIO

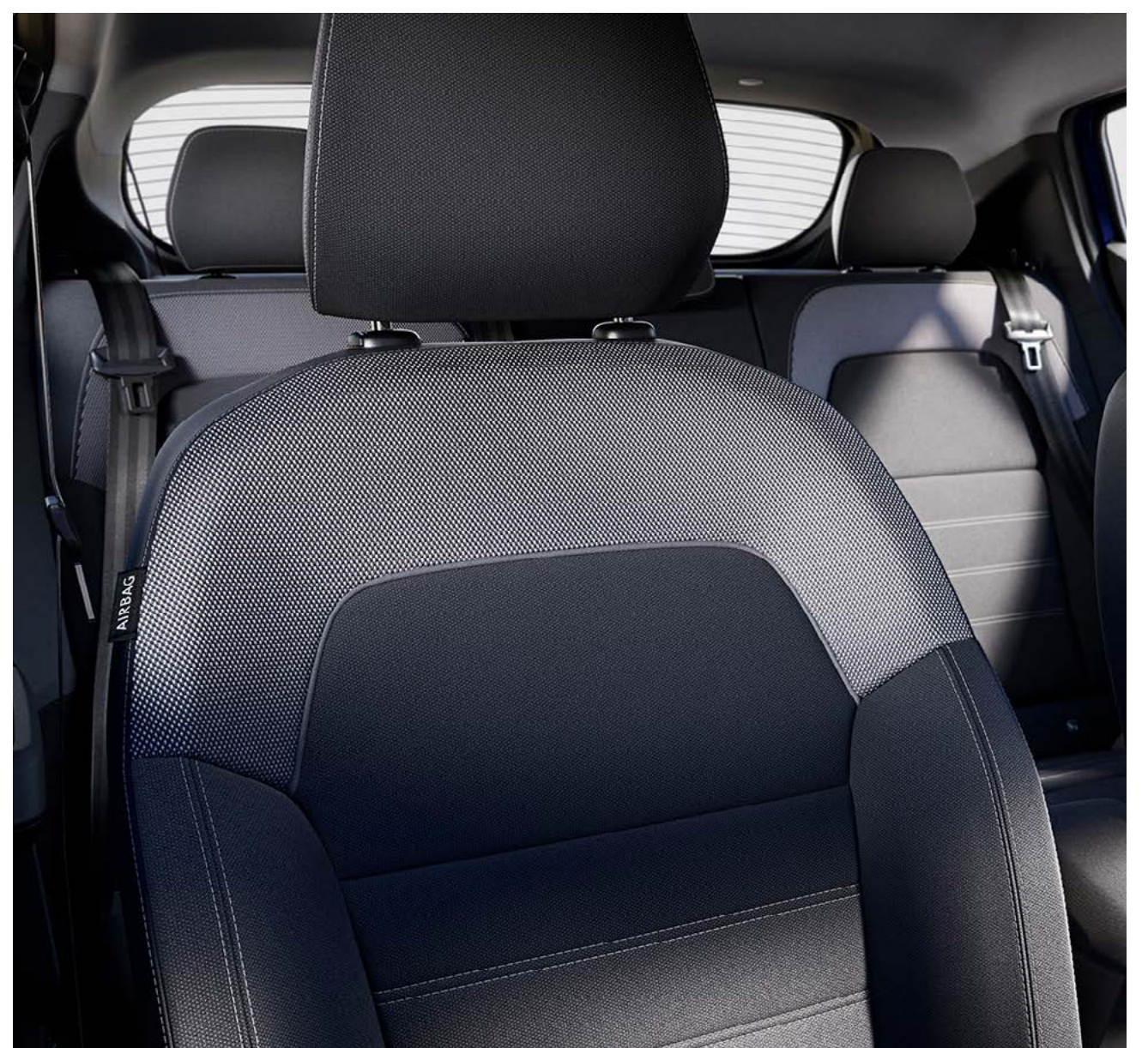
- Media Display: Android Auto™ and Apple CarPlay™ compatibility with smartphone mirroring via wifi or USB cable (DAB radio with 8" touchscreen and 4 speakers)

Android Auto™ is a trademark of Google Inc. Apple CarPlay™ is a trademark of Apple Inc.

[BUILD YOURS](#)

[MENU](#)

# JOURNEY



## MAIN EQUIPMENT JOURNEY = EXPRESSION+

### EXTERIOR FEATURES

- Black painted door mirrors
- 16" Randia alloy wheels
- Shark antenna

### INTERIOR FEATURES

- Door sill protection
- Floor mat
- Flexible trunk floor

### DRIVING AND CONTROL DEVICES

- Front & rear parking sensors + reverse camera
- Electric parking brake
- Blind spot warning

### COMFORT

- High central armrest with console storage
- Removeable phone support
- Automatic air conditioning
- Rear USB-C Socket

### AUDIO

- 8" MediaNav with DAB Radio + Smartphone replication + Bluetooth + 6 Speakers with Apple CarPlay and Android Auto + USB-C Plug (Front and Rear)

Android Auto™ is a trademark of Google Inc. Apple CarPlay™ is a trademark of Apple Inc.

[BUILD YOURS](#)

[MENU](#)

# ACCESSORY PACKS

## STYLE PACK (ESSENTIAL & EXPRESSION)

£375 inc. fitting



Roof spoiler



Shark fin aerial



Illuminated door sills

## PROTECTION PACK

£285 inc. fitting



Front & rear lower door protectors



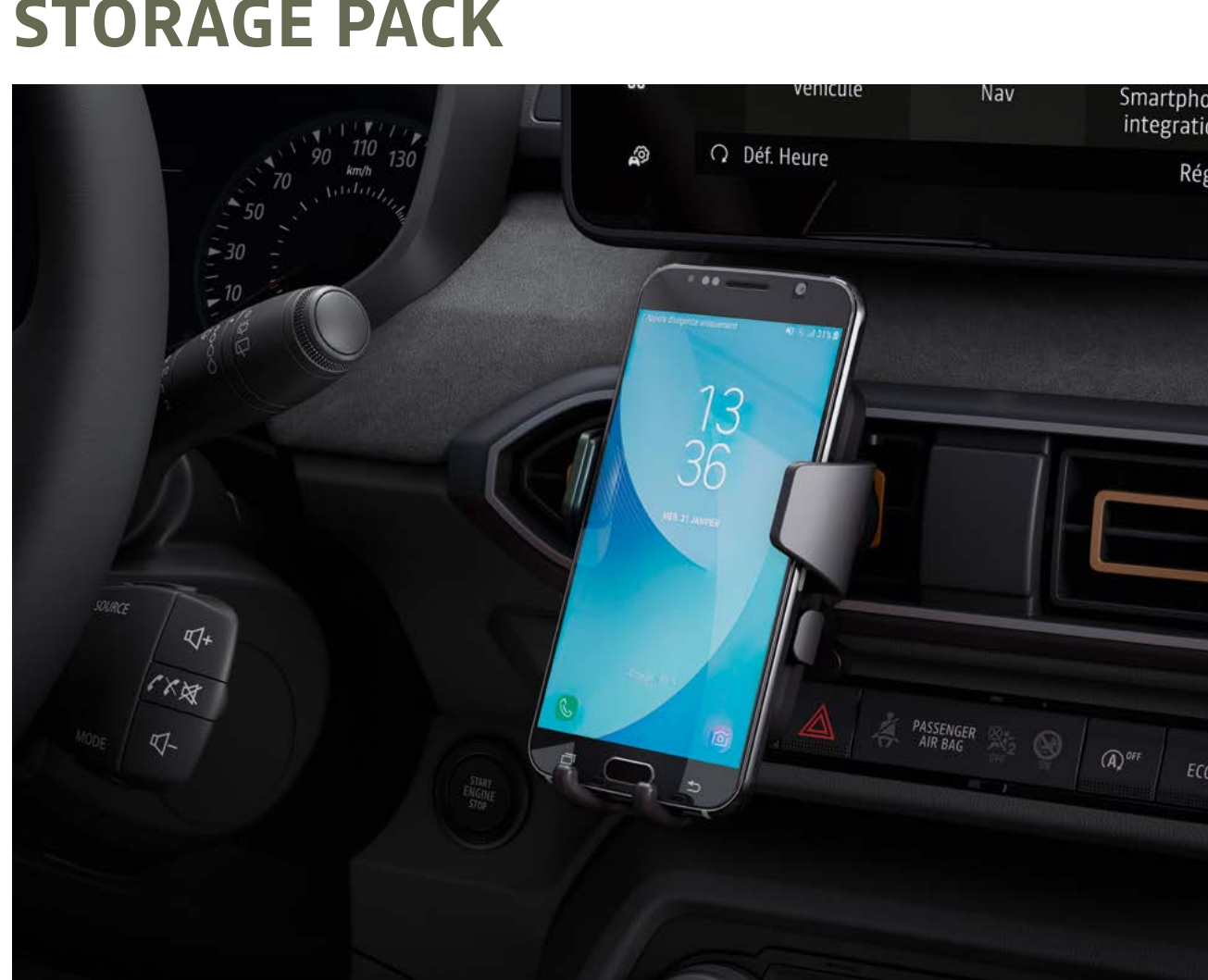
Front & rear mud guards



Boot mat

## STORAGE PACK

£120



Magnetic phone holder



Rear tray table & fixings

Storage pack + available with 2 x rear tray tables & fixings £222

## TOURING PACK

£449



Roof bars



Roof box 400L

## DASH CAM PACK

£395 inc. fitting



KENWOOD front dash cam



KENWOOD rear cam

## CYCLE PACK

£410



Roof bars



2 x bike carriers for roof

## TOW BARS



Swan neck towbar 13 pin

Removable towbar 13 pin

£579 inc. fitting

£687 inc. fitting

## PREMIUM DELIVERY PACKS



Premium mats



Safety kit



Rubber boot mat

## PREMIUM DELIVERY PACK

£95

Premium mats

Safety kit

## PREMIUM DELIVERY PACK+

£160

Premium mats

Safety kit

Rubber boot mat

All accessories purchased prior to vehicle registration come with a 3 year manufacturers warranty  
Accessories are fitted post production and may have an impact on WLTP fuel (actual) consumption and CO<sub>2</sub> figures

[DOWNLOAD THE ACCESSORIES BROCHURE](#)



# ENGINES

	TCe 90	TCe 90 CVT	TCe 100 Bi-fuel
<b>SANDERO ENGINES</b>			
Fiscal rating (CV) (France)	5	5	5
Fuel	Unleaded fuel (E10)	Unleaded fuel (E10)	Unleaded fuel (E10)/LPG
Max. power kW CEE (hp) at an engine speed of (rpm)	67 at 4,600-5,000	67 (90) at 4,500-5,000	LPG mode: 74 at 4,600-5,000 Petrol Mode: 67 at 4,800-5,000
Max. torque Nm CEE (m.kg) at an engine speed of (rpm)	160 at 2,100-3,750	142 at 1,750-3,750	LPG mode: 170 at 2,000-3,500 Petrol Mode: 160 at 2,100-3,750
Gearbox type	Manual 5-speed	Automatic	Manual 5-speed
Type of Injection	Turbo Indirect injection	Multipoint Indirect injection	Turbo Indirect injection
Capacity (cc)	999		
Number of cylinders/valves	3/12		
Emission control standard	Euro 6 DFull		

## CHASSIS AND STEERING

Tyre dimensions	185/65 R15 88H - 195/55 R16 87H		
Steering - Turning circle, kerb to kerb (m)	10.53		
Front suspension	Pseudo McPherson with lower wishbone, spiral spring suspension with telescopic hydraulic shock absorbers and anti-roll bar		
Rear suspension	Semi-rigid axle with anti-roll bar spring suspension and telescopic hydraulic shock absorbers		

## PERFORMANCE

			LPG	Petrol
Maximum speed (mph)	108	108	108	108
0-62 mph (s)	12.2	13.4	12.2	
Mid-range acceleration: 50 mph - 75 mph (s)	in 4 <sup>th</sup> 5 <sup>th</sup>	11.6 20.1	TBC TBC	12 19.1 12 20.2

## FUEL CONSUMPTION AND EMISSIONS<sup>(1)</sup>

Approval protocol	WLTP <sup>(2)</sup>			
Fuel tank capacity (l)	50	50	Petrol: 50 LPG : 40	
			LPG	Petrol
CO <sub>2</sub> (g/km) Emissions Best Case - Worst Case	119/120	170	108/109	122/122
Fuel consumption during combined cycle (mpg) Best Case - Worst Case	44/44	49.6	35/35	44/44

## VOLUMES AND WEIGHTS

	Essential	Expression/ Journey	Journey	Essential	Expression/ Journey
Minimum kerb weight	1,048	1,072	1,098	1,103	1,128
Maximum kerb weight	1,096	1,120	1,136	1,134	1,160
Gross train weight (GTW)	2,635	2,665	2,690	2,680	2,705
Maximum permissible laden weight (MPLW)	1,535	1,565	1,590	1,580	1,605
Max. braked towing weight	1,100	1,100	1,100	1,100	1,100

(1) Official consumption and emissions according to applicable regulations. (2) WLTP (*Worldwide Harmonized Light Vehicle Test Procedures*): this new protocol provides results much closer to those found in daily use compared to the NEDC protocol. \*Fuel consumption and CO<sub>2</sub> emissions are certified using a standard, regulated method. It is identical for all manufacturers and allows vehicles to be compared.

[BUILD YOURS](#)

[MENU](#)

# EQUIPMENT & OPTIONS

ESSENTIAL

EXPRESSION

JOURNEY

## EXTERNAL APPEARANCE

LED brand light	•	•	•
LED automatic daytime running lights	•	•	•
Grille	White	White	White
Dacia rear lettering	White	White	White
Front/rear bumpers	Body-coloured	Body-coloured	Body-coloured
Exterior door handles	Black	Body-coloured	Body-coloured
Door mirrors	Black	Body-coloured	Painted black
15" steel / flexwheel wheels	• / -	- / •	-
16" alloy wheels Randia	-	-	•

## INTERIOR APPEARANCE

Centre of air vents	Black and white sliders	White and white sliders	White and white sliders
Air vent surrounds	Fog Grey	Fog Grey	Fog Grey
Interior door handles	Black	Steel Grey	Steel Grey
Upholstery on the dashboard and front door armrests/trim on the front door panels	- / -	Fabric / -	Fabric
1/3- 2/3 split-fold rear bench seatback	•	•	•
Soft feel steering wheel	-	•	•
Door sill protection	-	-	•
Floor mat	-	-	•
Flexible trunk floor	-	-	•

## ACTIVE AND PASSIVE SAFETY

ABS (Anti-lock Braking System) and EBA (Emergency Brake Assist)	•	•	•
Intercity Automatic Emergency Braking (AEBS)	•	•	•
ESP (Electronic Stability Program) + HSA (Hill Start Assist)	•	•	•
Emergency call (E-call)	•	•	•
Driver's front airbag/passenger's front airbag can be deactivated	• / •	• / •	• / •
Shoulder and curtain side airbags	•	•	•
Rear parking sensors	-	•	•
Rear camera	-	•	•
Front sensors	-	-	•
High central armrest with storage	-	•	•
Tyre pressure detection	•	•	•
Spare wheel + jack (except LPG)	○	○	○
Tyre inflation kit	•	•	•
Isofix child seat mounting system on rear side seats	•	•	•
180 kmh / 112 mph Speed limiter	•	•	•
Electric parking brake	-	-	•
Blind spot warning	-	-	•
Alcohol Immobiliser predisposal	•	•	•
Event Data Recorder	•	•	•
Advanced Emergency Braking System (AEBS)	•	•	•
Traffic sign recognition with speed alert/Intelligent Speed Assist (ISA)	•	•	•
Lane Departure Warning (LDW) + Lane Keep Assist (LKA)	•	•	•
Rescue Code	•	•	•
"My Safety" button	•	•	•

-: not available; •: available as standard; ○: available as an option.  
 Android Auto™ is a Google Inc. brand. Apple CarPlay™ is an Apple Inc. brand.

# EQUIPMENT & OPTIONS (CONTINUE)

ESSENTIAL      EXPRESSION      JOURNEY

## DRIVING AND CONTROL INSTRUMENTS

Electrical power-assisted steering	•	•	•
Stop & Start	•	•	•
On-board computer: distance travelled, average speed, range, average consumption (including for LPG)	•	•	•
Cruise control/Speed limiter with audible warning	•/•	•/•	•/•

## VISIBILITY

Front fog lights	-	•	•
Door mirrors with interior manual adjustment	•	-	-
Electrically adjustable door mirrors	-	•	•

## COMFORT

Manual heating and air conditioning system	•	•	-
Automatic air conditioning	-	-	•
Automatic windscreen wipers	-	•	•
Electric door locking with radio frequency remote control	•	•	•
Automatic locking of doors when in motion	•	•	•
Keyless entry	-	•	•
Front electric driver and passenger windows	•	•	•
One-touch driver-seat window control (with anti-trapping function), non one-touch passenger side	-	•	•
Electric rear windows	-	•	•
Height- and reach-adjustable steering wheel	•/-	•/•	•/•
Front ceiling light	•	•	•
1 USB-C socket in the front	•	•	•
1 x 12V socket in the front	•	•	•
High central armrest with console storage	-	-	•
Removeable phone support	-	-	•

## AUDIO

Media Control: DAB radio with controls on the steering wheel, integrated display on the on-board computer screen, smartphone holder fixed on the dashboard, 2 front speakers, Bluetooth® connection, Dacia Media Control mobile application	•	-	-
Media Display: Android Auto™ and Apple CarPlay™ compatibility with smartphone replication via USB cable (DAB radio with 8" touch screen and 4 speakers)	-	•	-
8" MediaNav with DAB radio + smartphone replication + Bluetooth® + 6 speakers with Android Auto™ and Apple CarPlay™ + USB-C Plug (Front and rear)	-	-	•

-: not available; •: available as standard; o: available as an option.  
 Android Auto™ is a Google Inc. brand. Apple CarPlay™ is an Apple Inc. brand.

[BUILD YOURS](#)

[MENU](#)

# PRICING

	CO <sub>2</sub> G/KM WLTP	FUEL TYPE	COMBINED FUEL CONSUMPTION (MPG) - WLTP	BHP	BENEFIT IN KIND	VED YEAR 1	BASIC PRICE	VAT 20%	TOTAL RETAIL PRICE	ON THE ROAD PRICE*
<b>ESSENTIAL</b>										
TCe 90 MY24	119	Petrol	53.3 (5.3)	90	28%	£220	£10,770.83	£2,154.17	£12,925	£13,795
TCe 100 Bi-Fuel MY24	122 (Petrol)/106 (LPG)	Petrol/LPG	52.3 (5.4) & 43.5 (6.5)	100	29%	£210	£10,779.17	£2,155.83	£12,935	£13,795
<b>EXPRESSION</b>										
TCe 90 MY24	119	Petrol	53.3 (5.3)	90	28%	£220	£11,604.17	£2,320.83	£13,925	£14,795
TCe 100 Bi-Fuel MY24	122 (Petrol)/105 (LPG)	Petrol/LPG	52.3 (5.4) & 43.5 (6.5)	100	29%	£210	£11,612.50	£2,322.50	£13,935	£14,795
<b>JOURNEY</b>										
TCe 90 MY24	119	Petrol	53.3 (5.3)	90	28%	£220	£12,437.50	£2,487.50	£14,925	£15,795
TCe 90 Auto MY24	129	Petrol	49.6 (5.7)	90	30%	£270	£13,645.83	£2,729.17	£16,375	£17,295
TCe 100 Bi-Fuel MY24	122 (Petrol)/106 (LPG)	Petrol/LPG	52.3 (5.4) & 42.8 (6.6)	100	29%	£210	£12,445.83	£2,489.17	£14,935	£15,795

\* "On the Road" price includes delivery to the dealer premises, number plates, 12 months government road fund license (depending on CO<sub>2</sub> emissions) and First Registration Fee at £55.

# OPTIONS

	ESSENTIAL	EXPRESSION	BASIC PRICE	VAT 20%	TOTAL RETAIL PRICE
Metallic & opaque paint	○	○	£541.67	£108.33	£650
Spare Wheel (excluding Bi-Fuel)	○	○	£250.00	£50.00	£300

# WE'VE GOT YOU COVERED

You might think our shockingly affordable prices mean our cars aren't made to last. Actually, the Dacia range is one tough cookie. To prove it, you get a 3-year\* warranty (or 60,000 miles, if you reach that first). This means we will replace any part which has been deemed by a Dacia approved dealer to be defective due to a manufacturing fault, free of charge. To keep the good times rolling, you can extend your warranty up to 7 years for a great price. We also give you a 2-year paintwork and 6-year anti-corrosion warranty, so you can kick back knowing that your Dacia will stay looking good-as-new for years to come.

## ROADSIDE ASSISTANCE

Although our cars are built for plain sailing, you can rely on us if you have a breakdown – 24/7 365, wherever you are in the UK or Northern Ireland. This offer also stands for the first 3 years/60,000 miles<sup>Δ</sup> after you buy your new Dacia.

## DACIA CAR INSURANCE 1

Dacia Insurance has been specifically created to provide superb protection for you and your car. Unlike most other UK insurers, in the event of an accident, your Dacia will be repaired at a Dacia Approved Bodyshop using only Dacia approved parts and approved repair methods. This maintains your Dacia's safety rating, protects its resale value and helps to maintain its Dacia warranty<sup>Λ</sup>. Dacia Insurance also offers a courtesy car for the duration of a repair at a Dacia Approved Bodyshop.

**Dacia car insurance: 0330 102 7795 [www.daciacarinsurance.co.uk](http://www.daciacarinsurance.co.uk)**

Lines are open Mon - Thurs 8.30am - 7pm, Fri 9am - 6pm, Sat 9am - 5pm

## SERVICING

Dacia Service Plans are the ultimate hassle free way to take care of your vehicle. Depending on the Service plan you purchase (grid below) your servicing needs are covered and you benefit from;

- Inflation Proof Servicing – You know exactly what you'll pay and there are no hidden costs
- Peace of Mind – No matter where life takes you, we'll be there in over 5000 workshops across Europe
- Dacia Expertise & Quality – Our highly trained technicians know your Dacia inside out

The Dacia Service Plan contains Dacia services in-line with the manufacturer's service schedule, plus comes with a complimentary vehicle health check to ensure your Dacia is in the best condition possible.

SERVICE PLAN <sup>Λ</sup>	Monthly payments
3 years / 30,000 miles Service Plan	£11.99 per month
4 years / 48,000 miles Service Plan + 1 MOT	£17.99 per month
4 years / 48,000 miles Service Plan + 1 MOT + 1 year extended warranty	£18.99 per month
4 years / 60,000 miles Service Plan +1 MOT + 1 year extended warranty	£24.99 per month

## SERVICE INTERVALS<sup>◇</sup>

Annual servicing **OR** servicing at 18,000 miles (whichever comes first)

Service Schedule <sup>◇</sup>	Year 1	Year 2	Year 3	Year 4	Year 5	Year 6
	Change Cabin Filter	Change Oil + Oil Filter	Change Cabin filter + Brake Fluid	Change Oil + Oil filter + Air filter (36k miles) + Spark Plugs (36k miles)	Change Cabin filter + Coolant (90k miles)	Change Oil + Oil Filter + Brake Fluid + Accessory Belt (90k miles)

## DIESEL MODELS ONLY

Annual servicing **OR** servicing at 15,000 miles (whichever comes first)

Service Schedule <sup>◇</sup>	Year 1	Year 2	Year 3	Year 4	Year 5	Year 6
	Change Cabin Filter	Change Oil + Oil Filter	Change Cabin filter + Brake Fluid	Change Oil + Oil filter + Air filter (30k miles) + Diesel Filter (30k miles)	Change Cabin filter + Coolant (90k miles)	Change Oil + Oil Filter + Brake Fluid + Timing Belt (90k miles) + Accessory Belt (90k miles)

\*Dacia warranty ends when you reach the age or mileage limit (whichever comes first), from date of registration. Subject to status, terms and conditions apply. For full Dacia Extended Warranty Terms and Conditions visit [www.dacia.co.uk/warranty-and-assistance/warranty](http://www.dacia.co.uk/warranty-and-assistance/warranty)

<sup>Δ</sup>Roadside assistance for the first 3 year / 60,000 miles, which ever is reached first, from date of registration. For full Terms and Conditions visit [www.dacia.co.uk/warranty-and-assistance/assistance](http://www.dacia.co.uk/warranty-and-assistance/assistance)

<sup>†</sup> Dacia Extended warranties are available to purchase from first date of registration up to end of manufacturer warranty. For full Dacia Extended Warranty Terms and Conditions visit [www.dacia.co.uk/warranty-and-assistance/warranty](http://www.dacia.co.uk/warranty-and-assistance/warranty)

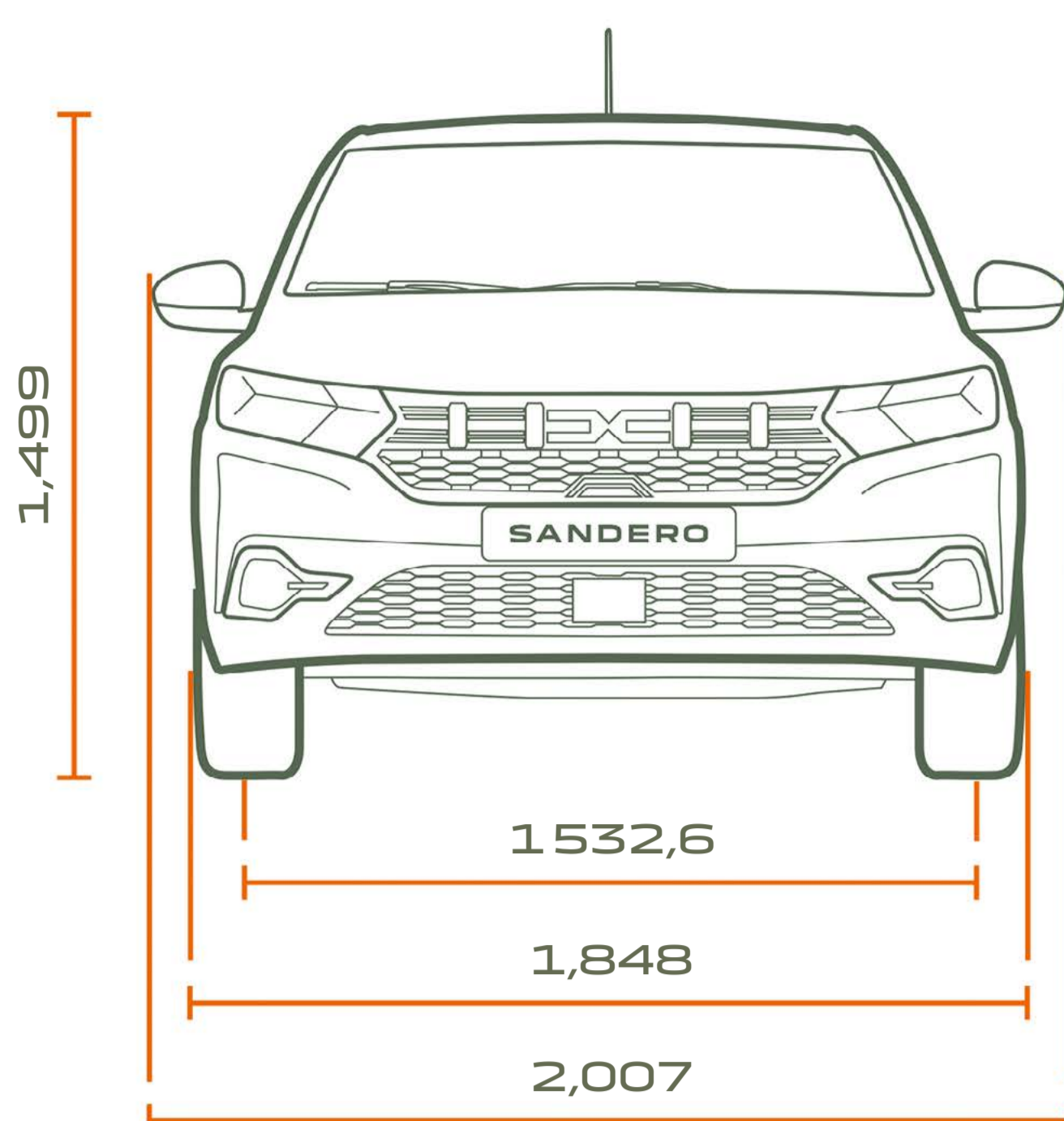
<sup>Λ</sup> The Service plan offer is available for eligible retail vehicles only and valid at participating dealers only. Vehicles must be ordered between 4 April to 3 July and registered by 30 September 2024. The Dacia Service plan covers the manufacturer's minimum maintenance requirements for the term of the Service plan purchased (refer to the Warranty and Service sheet in the Handover Document wallet for details). The plan ends when you reach the age or mileage limit (whichever comes first). Services must be carried out in line with the manufacturer's minimum maintenance programme requirements and servicing intervals within +/- 1 month or 1,000 miles of the service interval and can only be carried out at a Dacia Approved outlet. Service plans do not cover wear and tear items such as (but not limited to) tyres, wiper blades or brakes. For Service plan full Terms & Conditions visit [www.dacia.co.uk/services-and-finance/service-plan](http://www.dacia.co.uk/services-and-finance/service-plan). Cannot be part exchanged, refunded or transferred.

<sup>◇</sup> The service schedule and intervals are specific to the version and derivative of vehicle. Check with your Dacia retailer to confirm the service schedule / intervals as the above is an indicative guideline.

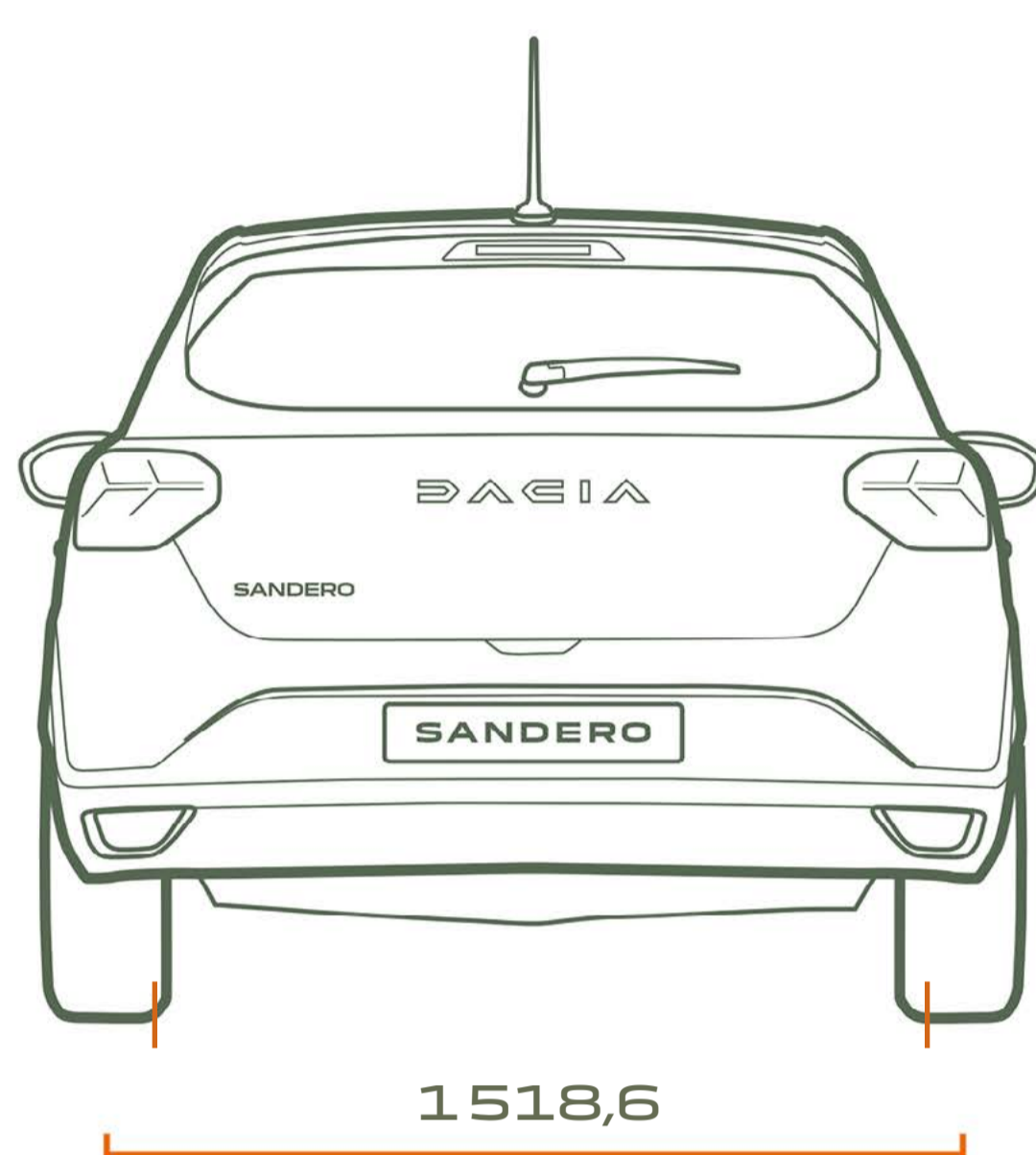
1 Dacia Insurance is arranged and administered by Verex Insurance Services Ltd, which is registered in England and Wales No. 05686831 at Batchworth House, Church Street, Rickmansworth, Herts, WD3 1JE and regulated and regulated by the Financial Conduct Authority, No. 487185. Verex Insurance Services Ltd arranges policies from a panel of insurers, details are available on request.

<sup>Λ</sup>If your insurer uses non-approved parts which subsequently fail, they may not be covered under your manufacturer's warranty.

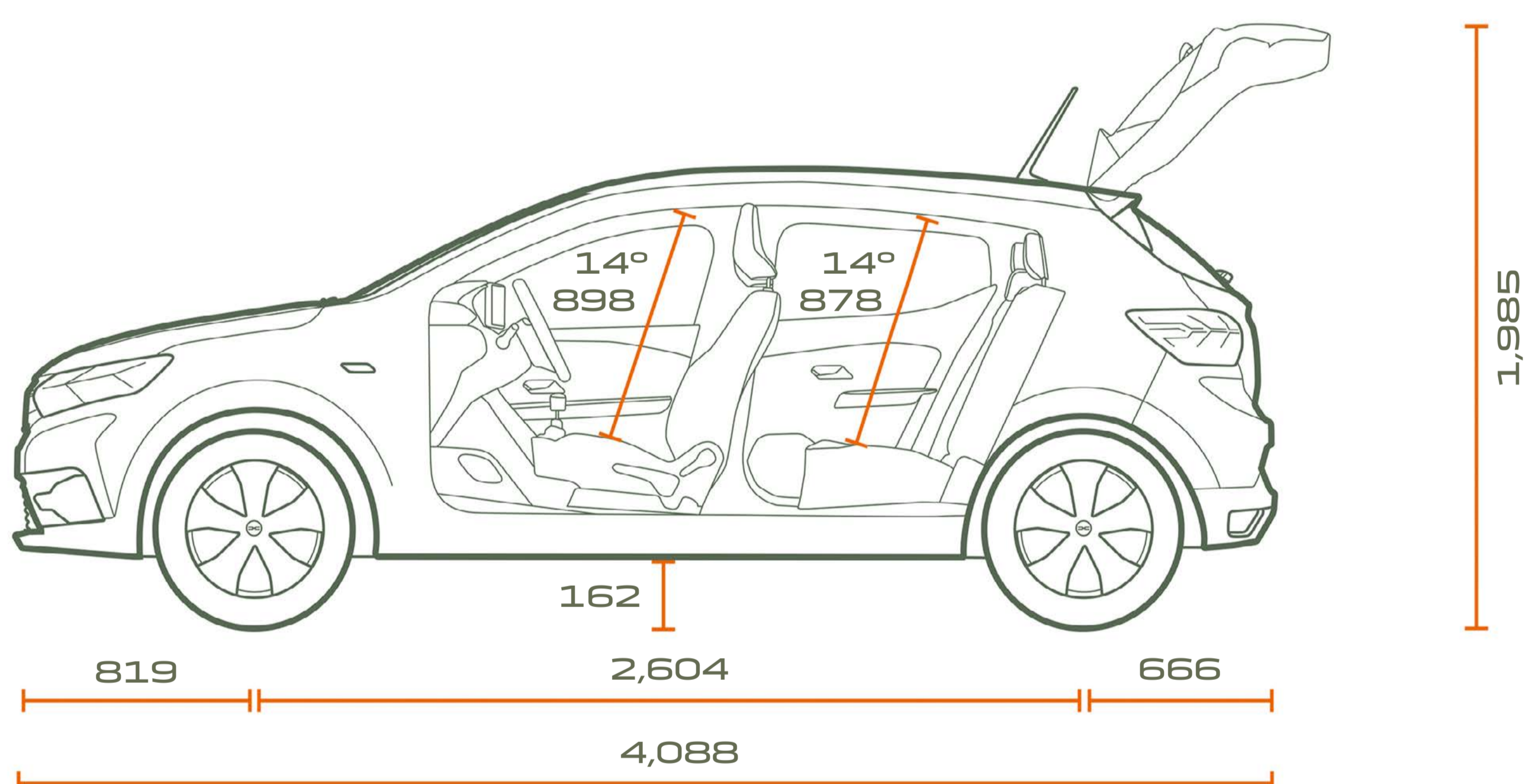
# DIMENSIONS



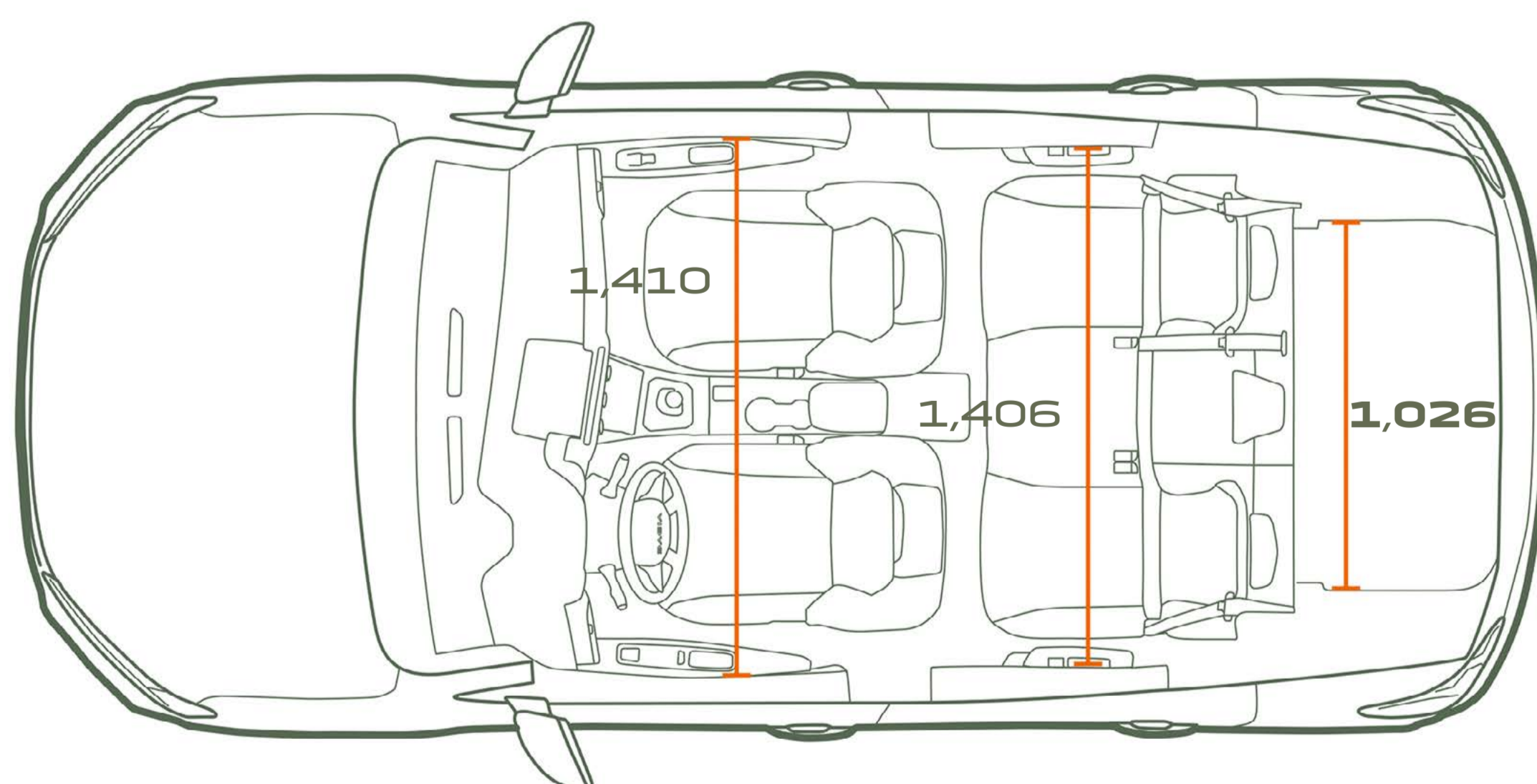
**FRONT VIEW**



**REAR VIEW**



**SIDE-FACE VIEW**



**TOP VIEW**

**BOOT**  
(IN DM<sup>3</sup> - VDA STANDARD)

Minimum boot volume (ISO 3832)	328/410
Maximum boot volume (ISO 3832)	1,108/1,455
Volume under false floor (ISO 3832)	78

# AN INCREDIBLE SUCCESS STORY

At Dacia, we offer practical and robust vehicles at the best price. Our models have a distinctive style without unnecessary frills, equipped with the most reliable and approved technologies, all at an unbeatable price. In just fifteen years, we have changed the game and disrupted the automotive market.



# TO GO FURTHER

[CLICK AND CONFIGURE](#)

[BOOK A TEST DRIVE](#)

[FIND YOUR DEALERSHIP](#)



Access the DACIA  
Facebook account



Access the DACIA  
Twitter account



Access the DACIA  
Instagram account

The contents of this brochure were accurate and up-to-date at the time of publication. This document was produced based on pre-series or prototype vehicles. As part of its policy of continuous product improvement, Dacia reserves the right, at any time, to make changes to the specifications and vehicles and accessories described and illustrated. These modifications are notified to Dacia dealers as soon as possible. Depending on the country of sale, versions may differ, and some equipment may not be available (as standard, optional, or accessory). Please consult your Dacia representative for the most up-to-date information. Due to the limitations of printing, the colors shown in this document may slightly differ from the actual paint colors or interior trim materials. All rights reserved. Reproduction, in whole or in part, of this brochure in any form or by any means is prohibited without the prior written authorization of Dacia.

Dacia recommends 

PUBLICIS - PHOTO CREDITS: BAM; A. Bernier; Getty Images; Shutterstock; © RENAULT MARKETING 3D-COMMERCE – APRIL 2024