

RENAULT CAPTUR

available with
E-Tech full hybrid



3rd April 2024



athletic and elegant SUV

With its muscular shoulders,
powerful hybrid engines
and generous interior space,
Renault Captur asserts
its character.



Allow yourself to be won over
by the captivating design of the
E-Tech engineered full hybrid 145.

sports SUV

hybrid
engines

connected
ecosystem

up to 536 litres
of boot volume⁽¹⁾

up to 14
advanced driving
assistance
systems⁽²⁾

(1) on petrol version. (2) depending on version.

interactive menu

01. design

02. driving pleasure

03. multimedia

04. interior space

**05. advanced driver
assistance systems**

06. customisation

Captivating E-Tech engineered design with its sculpted sides, muscular shoulders, wider grille and expressive bumper, Renault Captur asserts its SUV look.

Renault Captur causes a stir with its E-Tech engineered full hybrid: glossy black grille and rear end panel, warm titanium touches on F1® blade and double exhaust pipes.



A black and gold E-Tech badge is its rear signature and it sports stylish 18" E-Tech engineered Le Castellet diamond cut alloy wheels with gold inserts.



Discover the same bold styling inside. With E-Tech emblem on the steering wheel, and a dashboard with glossy black trim enhanced with warm titanium touches that match the seats.



sun-roof not available in UK

build yours →

02. driving pleasure

hybrid according to your needs

Available in E-Tech full hybrid, Renault Captur offers you the best of both worlds.



battery charge information on the 9.3" screen



10" digital instrument panel with driving information

build yours →

interior revolution

Renault Captur is equipped with a customisable 10" digital instrument panel* and a 9.3" multimedia touch screen* to mirror your compatible phone via Android Auto™ and Apple CarPlay™.



Choose your driving experience from three driving and eight ambient lighting modes according to your mood thanks to multi-sense technology.

* depending on engine and version.
Android Auto™ is a Google Inc. brand.
Apple CarPlay™ is an Apple Inc. brand.

[build yours →](#)

04. interior space

leading in modularity

Enjoy one of the largest boot volume in its category (up to 536 litres*) and an ingenious modular layout provided by the sliding bench seat over 16 cm.



To carry long or bulky items, fold down the rear bench seat and increase the total space to 1,275 litres*.



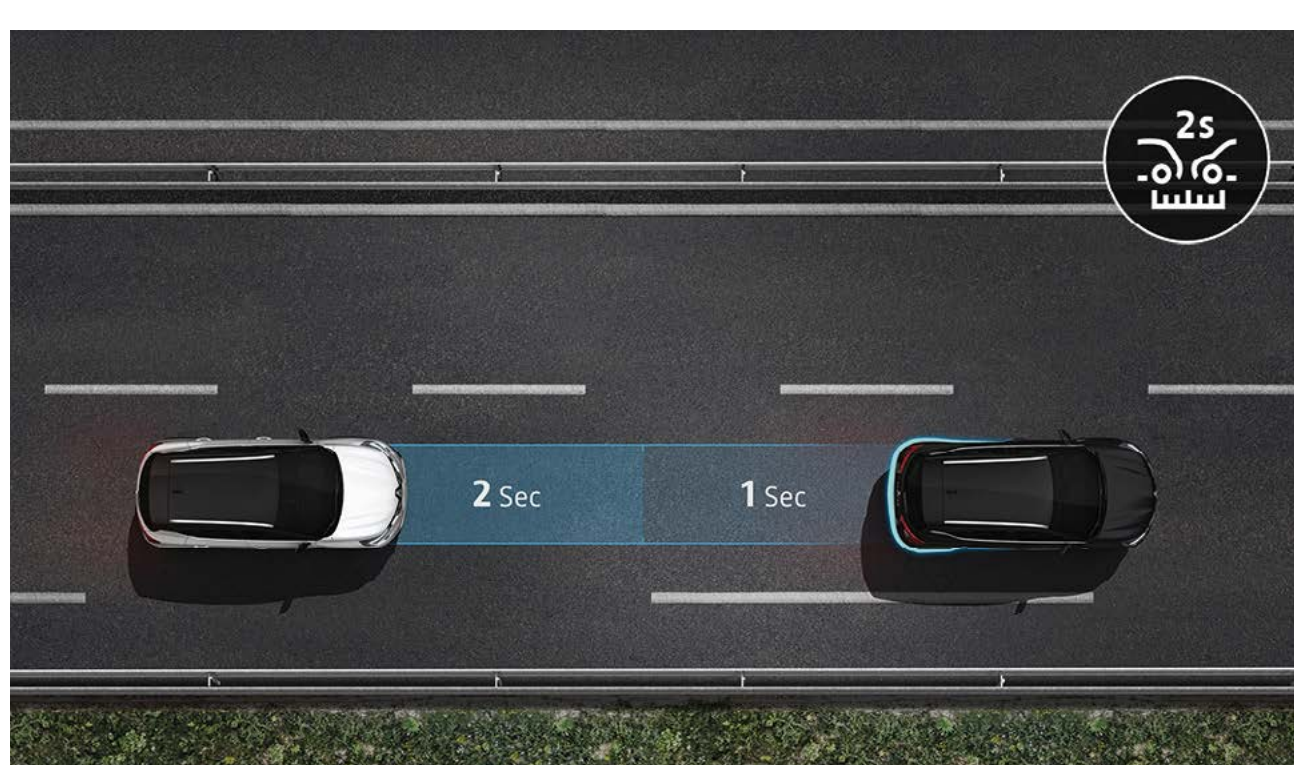
* petrol version

[build yours →](#)

05. advanced driver assistance systems

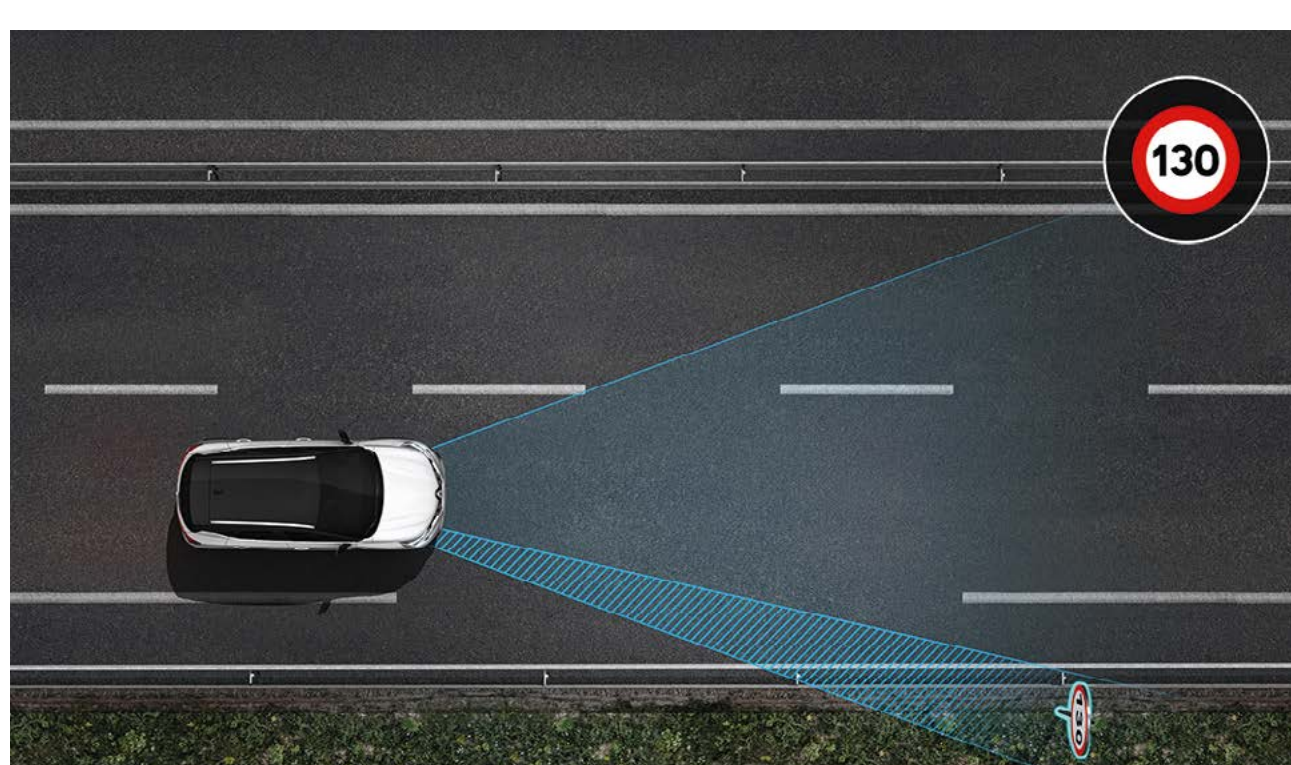
up to 14 advanced driver assistance systems

Renault Captur is equipped with up to 14 innovative advanced driving assistance systems. Tried and trusted, it promises a safe and secure driving experience.



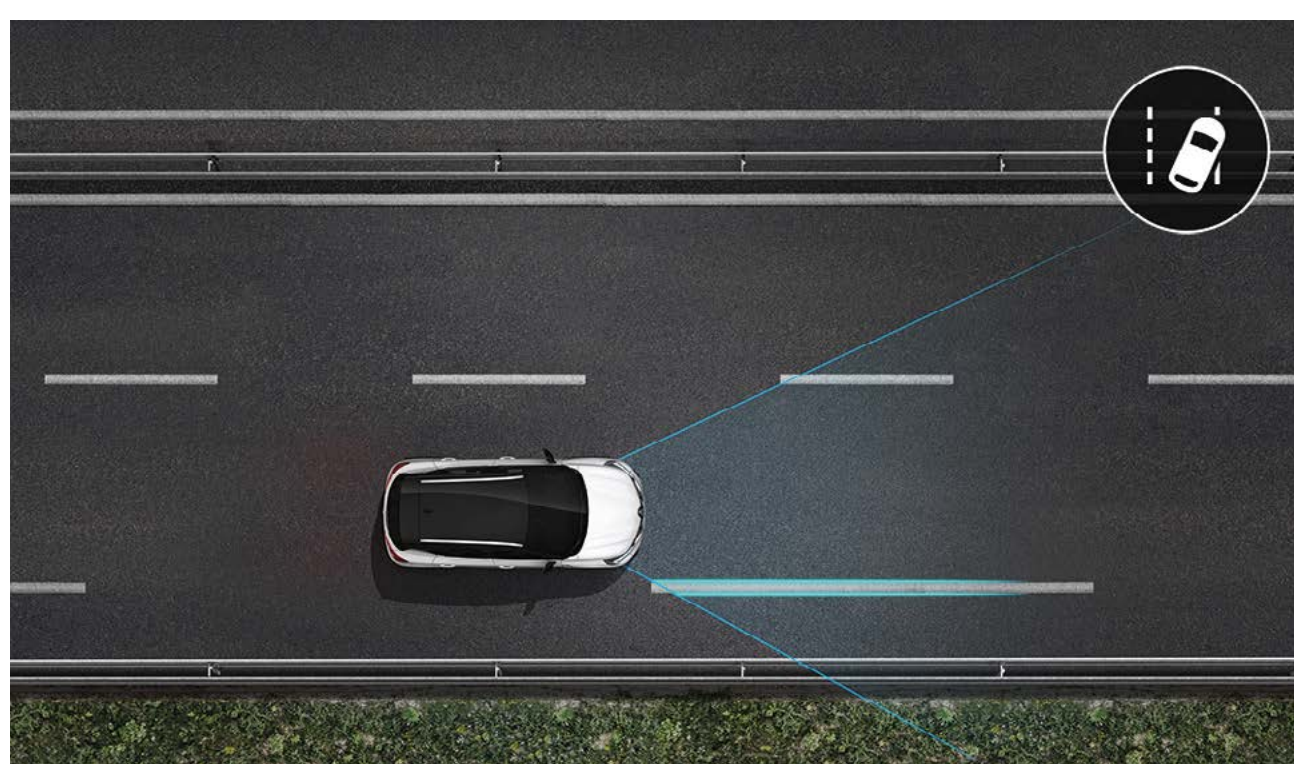
safe following distance warning

A radar at the front of your vehicle calculates the safe following distance between you and the vehicle in front. If there is any risk of collision, the system triggers an audio and visual warning.



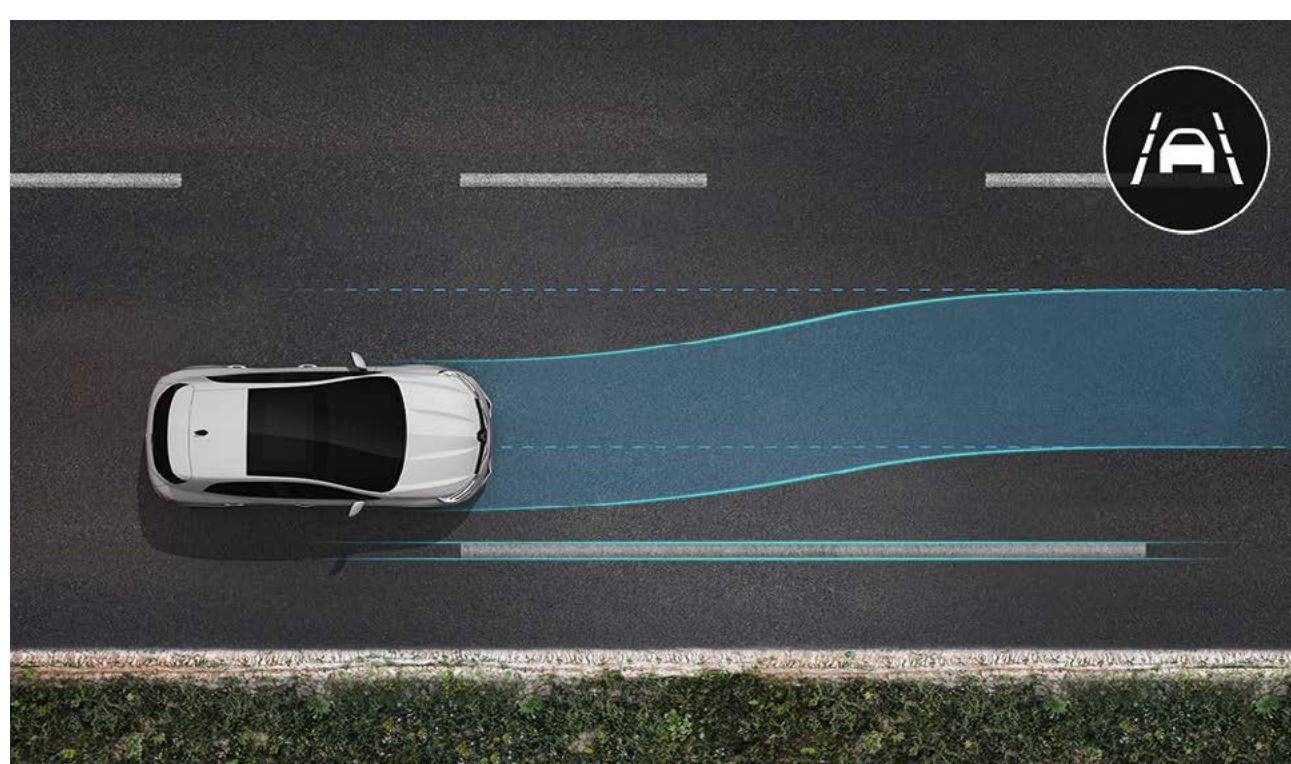
road sign recognition

It keeps you informed via the instrument panel of the speed limits along your route thanks to a camera.



lane departure warning

This system lets the driver know if they unintentionally cross any solid or broken lines, using a camera located on the windscreen, behind the rear-view mirror.



lane keeping assist

Active between 70 km/h and 160 km/h, this system corrects the steering wheel, returning the vehicle to its lane if you ever cross a continuous or broken line without indicating.

driver assistance systems

- road sign recognition and speeding alert
- cruise control/speed limiter
- gear change assist
- auto headlights
- automatic windscreen wipers with rain sensors

park assist systems

- front and rear parking sensors*
- rear view camera*

safety assistance

- safe following distance warning
- lane departure warning
- lane keeping assist
- automatic main beam/dipped headlight activation*
- hill start assist
- AEBS - active emergency braking system

* from techno, except rear parking sensors which are across the range

[build yours →](#)

06. customisation

colours



arctic white⁽²⁾



iron blue⁽³⁾



flame red⁽³⁾⁽⁴⁾



boston blue⁽¹⁾⁽⁴⁾



highland grey⁽²⁾



oyster grey⁽²⁾



diamond black⁽²⁾

(1) non metallic paint.
(2) optional metallic paint.
(3) optional Renault ID metallic paint.
(4) not available for E-Tech engineered.
Every effort has been made to ensure that the information, descriptions, and images were correct at the time of publication however images may not always reflect the exact version selected. It should be noted that limitations on screen do not permit the subtle paintwork shades on this page to be shown with absolute accuracy.

06. customisation

roof customisation



diamond black roof

build yours →

06. customisation

interior trims



evolution

standard equipment includes:

- 17" ediris alloy wheels
- easy link 7" touchscreen with navigation
- cruise control and speed limiter



techno

additional equipment to evolution includes:

- 18" pasadena diamond cut alloy wheels with grey inserts
- front and rear parking sensor with rear-view camera
- multi-sense: 3 driving modes and 8 ambient lighting



e-shifter only available on E-Tech engineered

E-Tech engineered

additional equipment to techno includes:

- E-Tech engineered front bumper with gold F1® blade
- frameless electrochromatic room mirror (anti-dazzling)
- flying console with e-shifter gear selector
- E-Tech engineered leather-suede upholstery with gold lines and stitching

Android Auto™ is a Google Inc. brand. Apple CarPlay™ is an Apple Inc. brand.
* please contact your sales advisor for more details on the leather materials used.
All seats mentioned as being leather seats in this document are made of real leather and coated fabric.



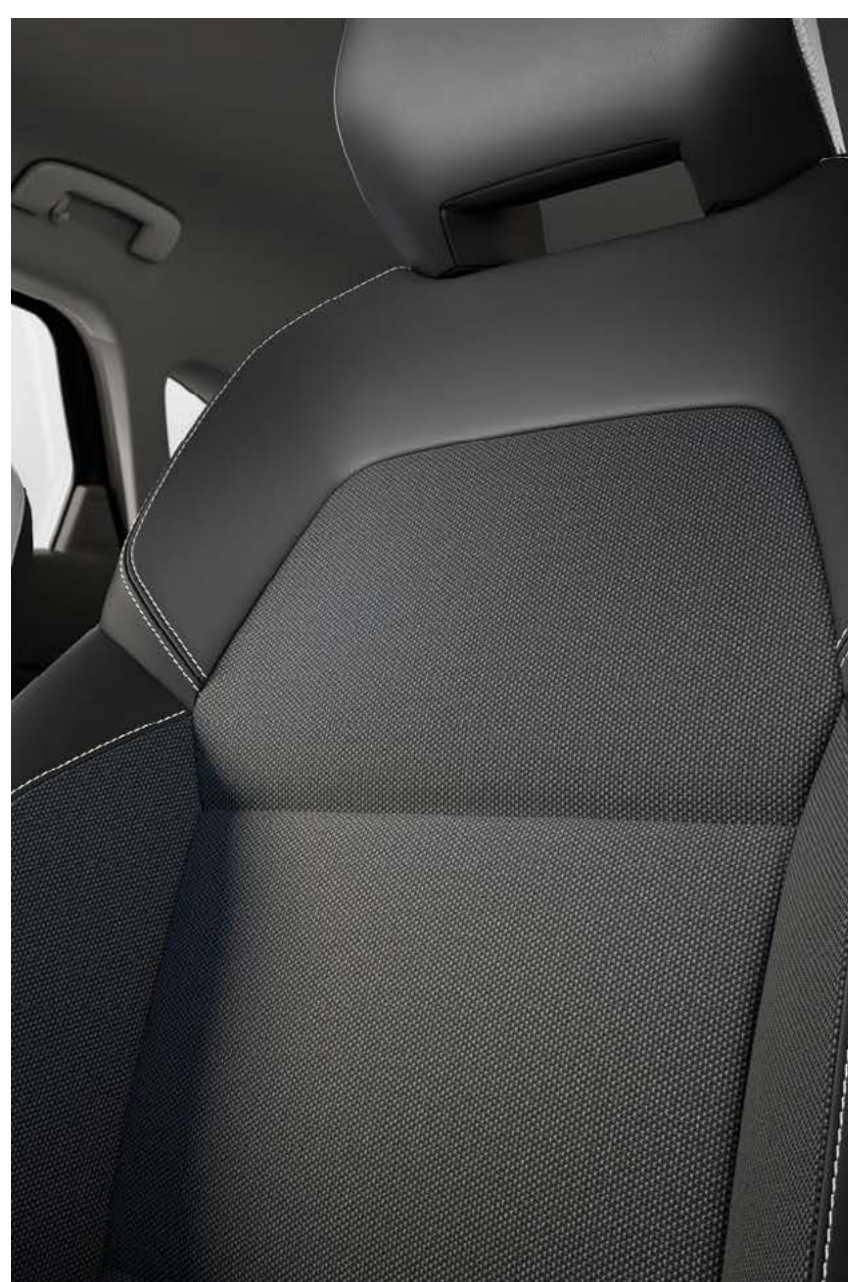
**download interior trim
and equipment PDF (6MB)**

06. customisation

upholstery



grey copicce and embossed upholstery (evolution)



black and grey cloth upholstery with synthetic leather and grey stitching (techno)



E-Tech engineered suede-leather upholstery with gold stitching (E-Tech engineered)

wheels



17" ediris alloy wheels (evolution)



18" pasadena diamond cut alloy wheels (techno)



18" E-Tech engineered diamond cut alloy wheels (E-Tech engineered)

Grab handles are not available on UK spec

build yours →

06. customisation

accessory packs

style pack (evolution only)



shark fin antenna



door sills



styling bars

protection pack (evolution & techno)



boot liner



door sills

touring pack



roof bars



roof box 380L

dash cam pack



KENWOOD front dash cam



KENWOOD rear cam

cycle pack



roof bars



2 x bike carriers for roof

tow bars

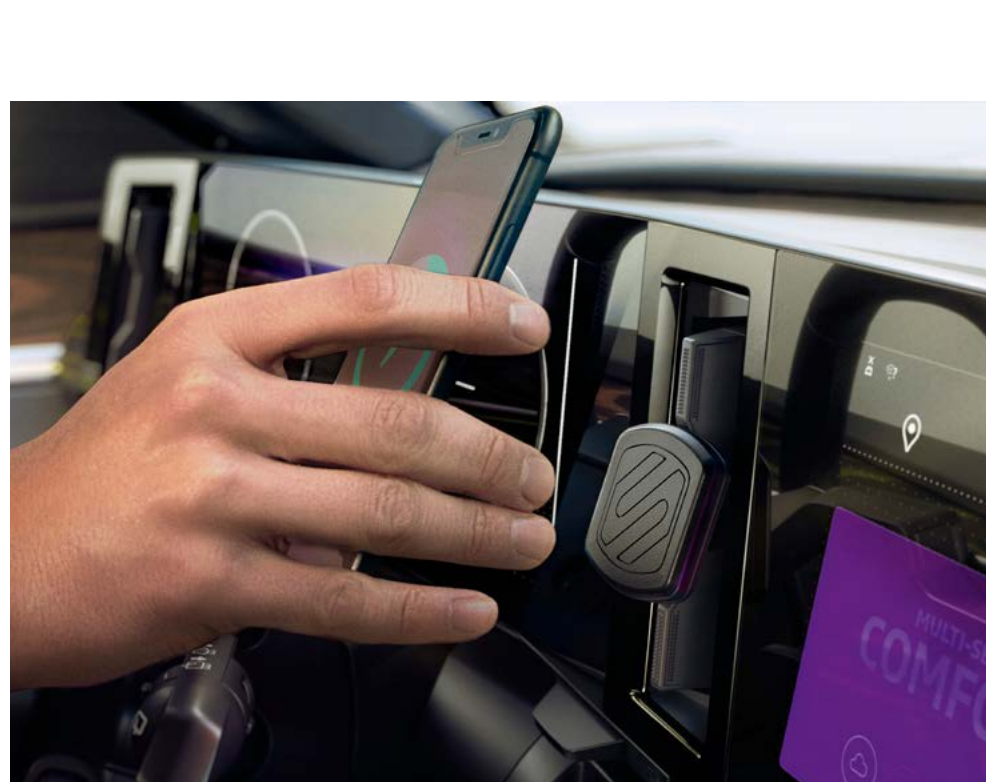


swan neck towbar 13 pin
removable towbar 13 pin

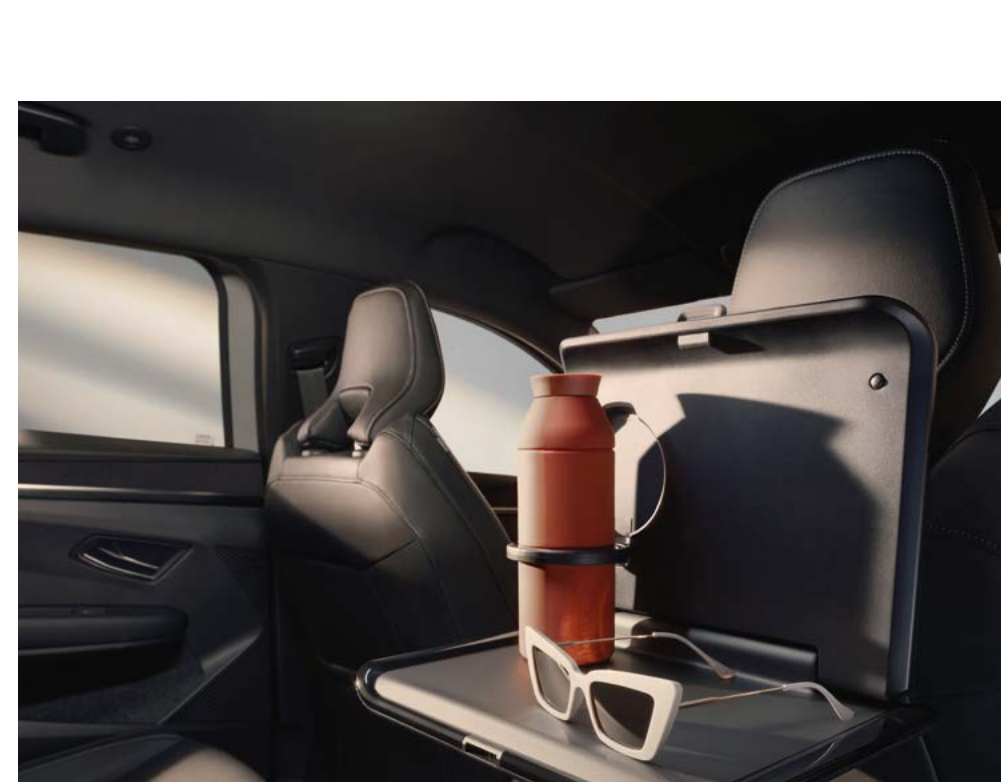
storage pack



boot storage box



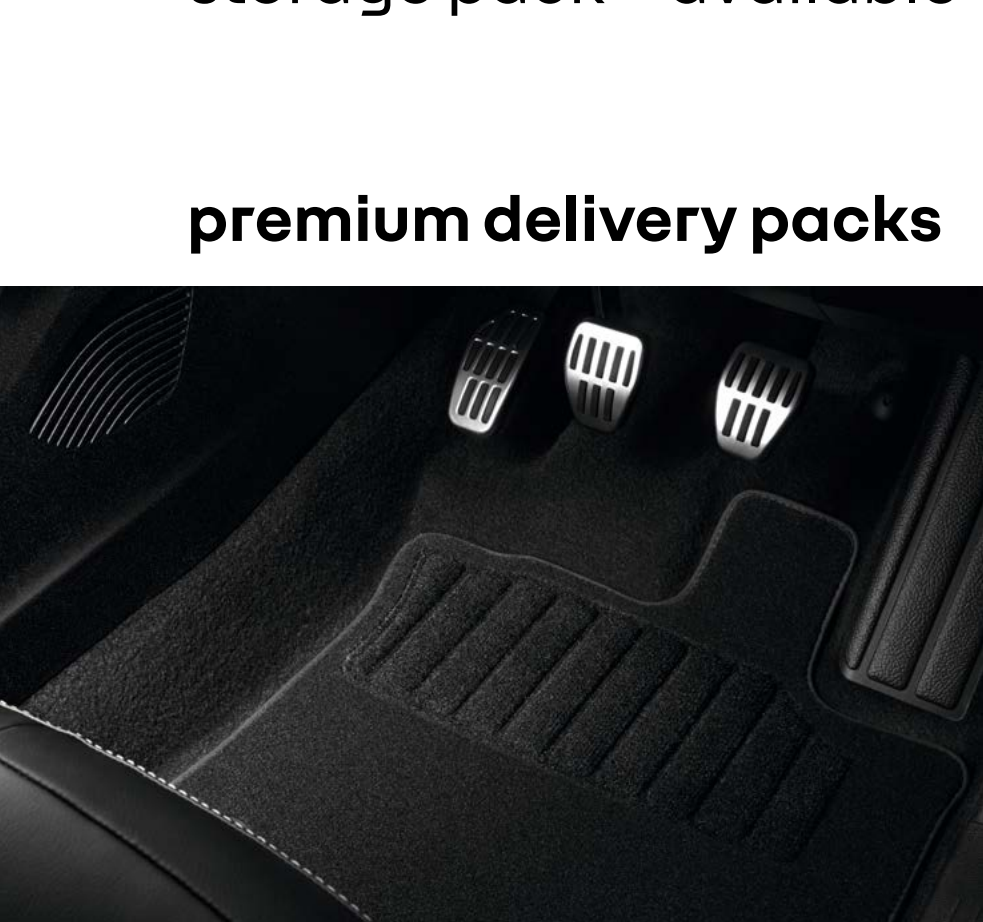
magnetic smartphone holder



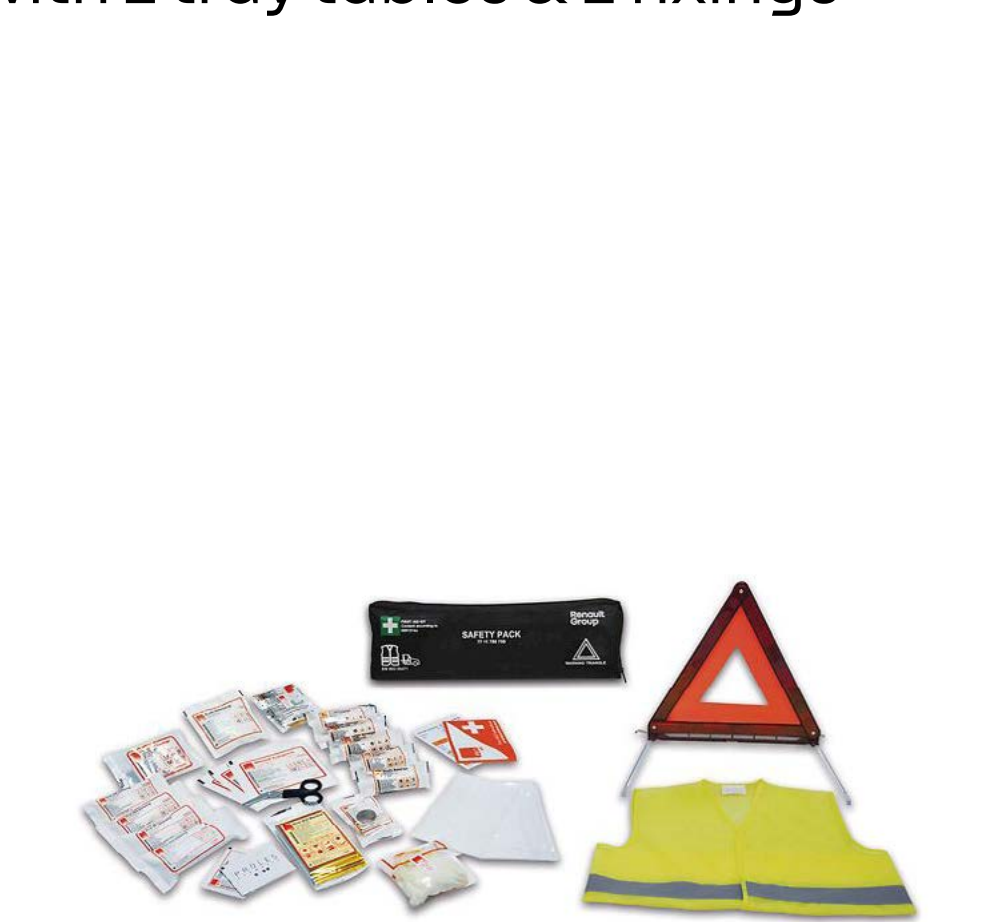
rear tray table & fixing

storage pack + available with 2 tray tables & 2 fixings

premium delivery packs



premium mats



safety kit



rubber boot liner

premium delivery pack

premium mats
safety kit

premium delivery pack+

premium mats
safety kit
rubber boot liner

All accessories purchased prior to vehicle registration come with a 3 year manufacturers warranty. Accessories are fitted post production and may have an impact on WLTP fuel (actual) consumption and CO₂ figures

 **download the accessories brochure PDF (6MB)**

build yours →

E-Tech engines

E-Tech full hybrid 145	
fuel	
unleaded fuel (E10) + electric	
maximum power kW (hp) / revs (rpm)	
105 (142) combined	
maximum torque (Nm) / revs (rpm)	
full hybrid: 148 at 3,200 + 250 electric	
gearbox	
automatic (clutchless smart multimode)	
engine type	
full hybrid	
unleaded petrol (E10)	electric
kerb weight (kg)	
1,363	
batteries	
type	
-	lithium-ion
voltage (V)	
-	150-285
capacity (kWh)	
-	1.2
WLTP fuel consumption and emissions⁽¹⁾⁽²⁾ (Vlow/Vhigh)	
combined cycle CO₂ (g/km)	
106 - 107	
consumption over a combined cycle (mpg)	
58.9 - 60.1	

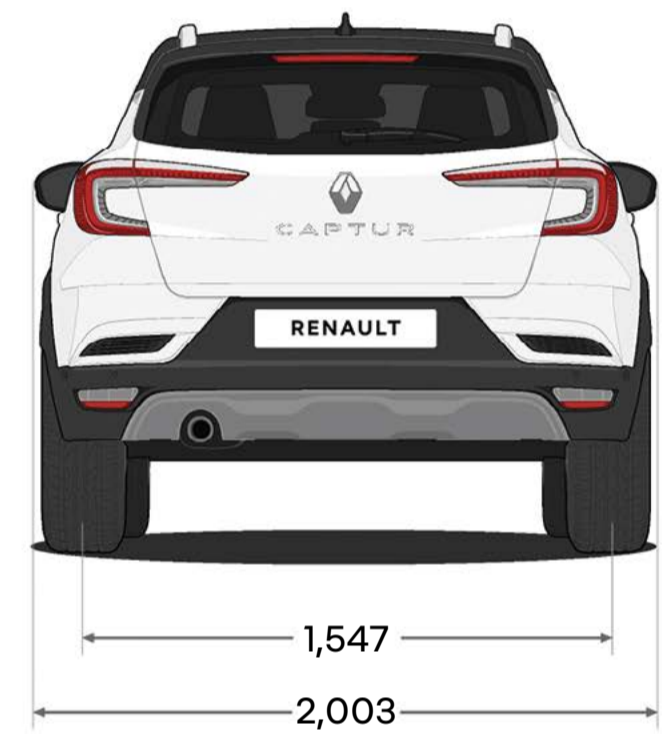
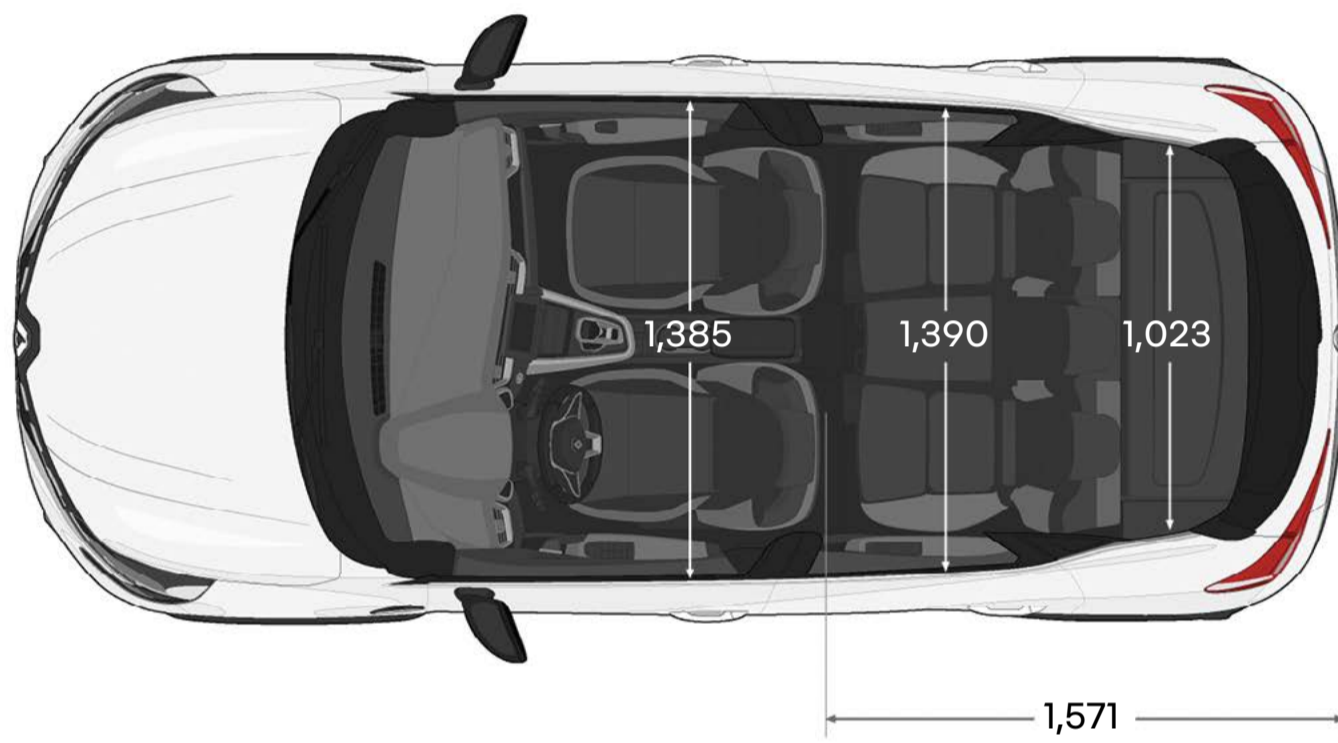
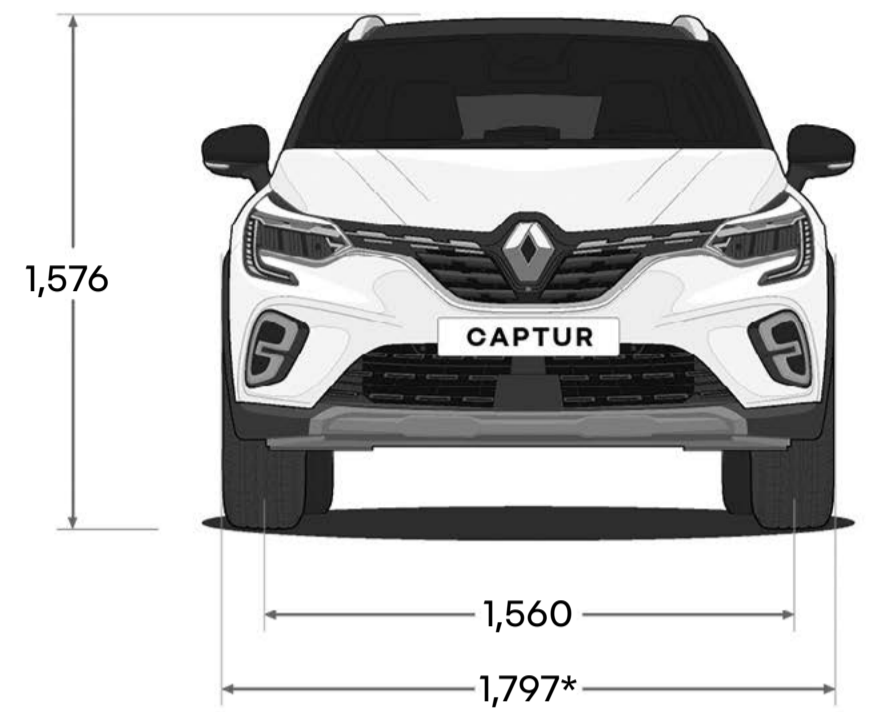
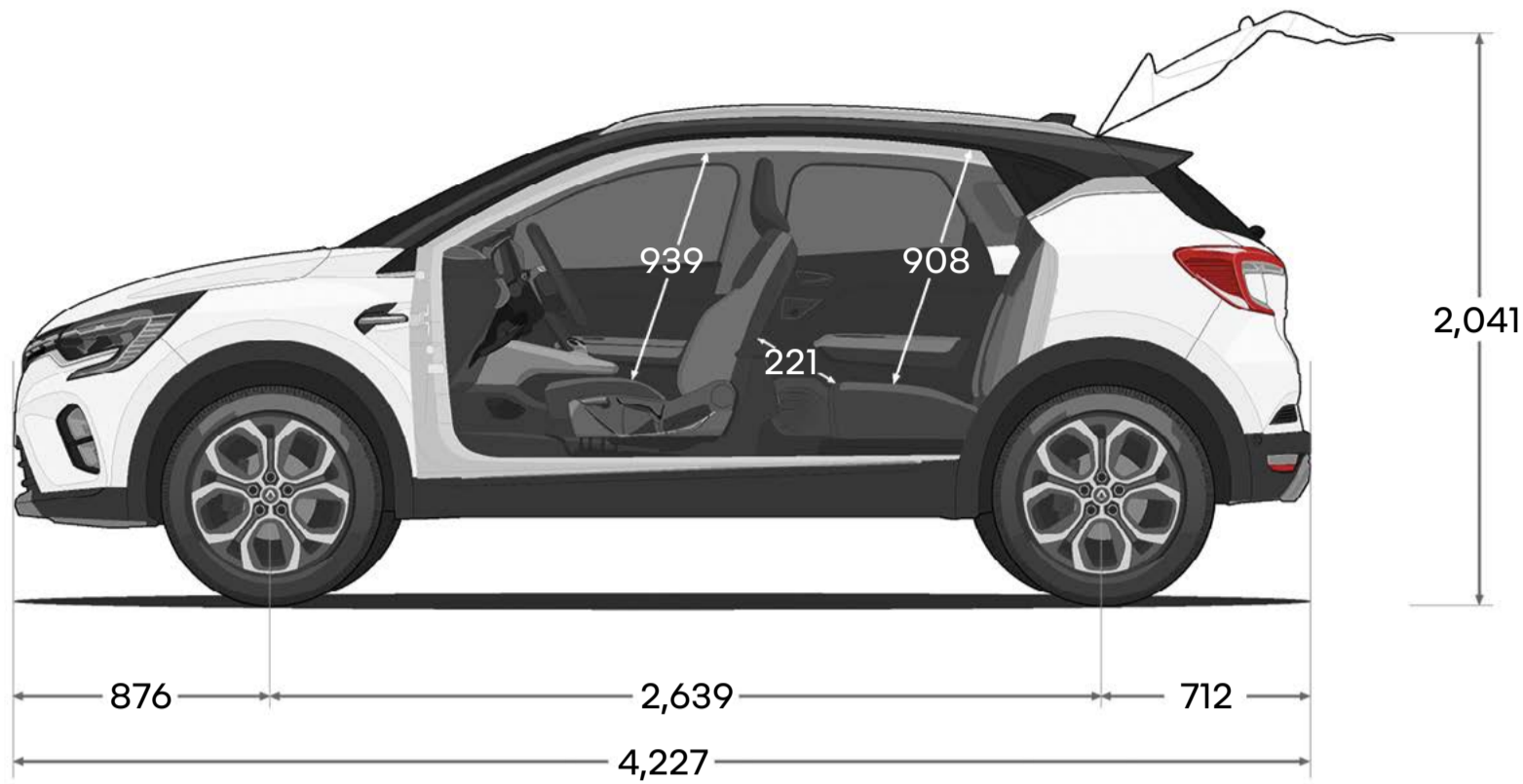
internal combustion engines

TCe 90	
fuel	
unleaded petrol (E10)	
maximum power kW (hp)	
67 (90)	
maximum torque (Nm) / revs (rpm)	
160/2,000	
gearbox	
manual	
kerb weight (kg)	
1,316	
WLTP fuel consumption and emissions⁽¹⁾⁽²⁾ (Vlow/Vhigh)	
combined cycle CO₂ (g/km)	
131 - 133	
consumption over a combined cycle (mpg)	
47.9 - 48.7	

(1) fuel consumption and CO₂ emissions are certified using a standard, regulated method. This method is identical for all manufacturers and enables vehicles to be compared.
 (2) WLTP (Worldwide Harmonized Light Vehicle Test Procedures): this new protocol provides results much closer to those found in daily use compared with the NEDC protocol.

 **download the engine pdf (6MB)**

dimensions and volumes



boot volume (VDA)	petrol	E-Tech full hybrid
boot volume, bench seat pushed back	422	326
boot volume, bench seat pushed forward	536	440
boot volume, bench seat folded down	1,275	1,149

* door mirrors folded in. dimensions in mm.

build yours →

Renault services

3 years warranty

Your Renault car is covered by a warranty package for up to 3 years from date of first registration with unlimited mileage during the first 24 months, then limited to a total of 60,000 miles or 3 years, whichever comes first. For further details go to www.renault.co.uk/warranty.html

EasyLife service plan

Renault's EasyLife Service Plan is the ultimate package to provide care-free servicing for your Renault. For more information go to www.renault.co.uk/general-maintenance/service-plans.html

3 years roadside assistance

Should you need it, we'll provide emergency roadside repairs or tow you to the nearest Renault Dealer. For further details visit www.renault.co.uk/assistance.html

Renault car insurance

A car as well designed as your Renault deserves an insurance policy to match. Renault Insurance has been specifically created to provide superb protection for you and your car. Visit www.renault.co.uk/insurance.html

customer relations

Renault knows the value of communicating with its customers and we have established effective ways to keep in touch with you. If after speaking to your local Renault dealership you are not completely satisfied, please contact the Renault UK Customer Service Team on 0344 335 0000[†] (Mon-Fri 8am to 6pm. Closed Saturday, Sunday and on Bank Holidays. Live Chat Mon-Fri 8am to 6pm). You can also visit www.renault.co.uk or write to us at: Renault UK Ltd, The Rivers Office Park, Denham Way, Maple Cross, Rickmansworth, Hertfordshire, WD3 9YS.

[†] Calls to 03 numbers are free if used as part of your inclusive mobile minutes and are charged at local rates from landlines.

Renault care service

We are always by your side to make your driving experience easier and save you time with the maintenance of your Renault: online quotes and appointments, fixed price packages, maintenance contracts, insurance and assistance, personalised My Renault programme... Take advantage of our simple and fast solutions tailored to your needs.

[find out more about Renault care service](#)



Every precaution has been taken to ensure that the contents of this brochure were accurate and up-to-date at the time of its release. This document has been created using pre-production and prototype models. In line with its policy of continuous product improvement, Renault reserves the right to modify the specifications, vehicles and accessories described and featured at any time. Any such modifications are communicated to Renault dealers as quickly as possible. Depending on the country of sale, versions may differ and some equipment may be unavailable (standard, optional or accessories). Please contact your nearest dealer for the latest information. For reasons to do with the medium, the colours featured in this document may differ slightly from those of the actual paintwork or interior trim. All rights reserved. Reproduction in any format and by any means of all or part of this brochure is prohibited without prior written authorisation from Renault.

Photo credits: BAM, A. Bernier, Y. Brossard, HE & ME, Additive, ©Renault Marketing 3D-Commerce – April 2024

Renault recommends 



build yours →