

RENAULT KANGOO AND KANGOO E-TECH

100% electric



Model Year 24

3rd April 2024



revolutionary from the start

The innovative and functional design of Kangoo has already gained global recognition and multiple award wins, including What Car? Best Small Van.



Take advantage of up to 4.2 m³ of loading volume and up to 186 miles electric range WLTP driving range in the E-Tech 100% electric version.

payload of up to 975kg*

up to 4.2 m³* of loading volume

easy inside rack**

up to 186 miles electric range WLTP

8 standard advanced driving assistance systems

*LWB versions. ** retractable interior rack available as an option.

interactive menu

01. loading

02. multimedia

03. range and charge

**04. advanced driver
assistance systems**

05. customisation

easy loading

Renault Kangoo Van features equipment that is as essential as it is practical. Thanks to a loading capacity of up to 4.2m³ together with its numerous clever storage areas, goods and equipment can easily be stowed away.



Numerous clever storage areas at the front ensure that you will always have hard hats, gloves and other tools within reach.



21.8 L overhead storage rack



1.5 L dashboard storage with USB port

Use the easy inside rack* which folds down from the ceiling makes transporting long objects easier while leaving the floorspace uncluttered. This saves space and is a safer way to store longer items than traditional roof racks.



easy inside rack* with a load length of 1.8m and 2.23m

* retractable interior rack available as an option.

build yours →

useful technology

With the 8" easy link multimedia screen, you can enjoy smartphone replication and upgrade to full connected navigation with automatic updating of maps, traffic conditions, identification of charging points and service stations.

For even greater safety, you can see what's happening behind your Renault Kangoo Van thanks to the permanent rear view, a fully-fledged digital rear-view mirror.



permanent rear view, smartphone holder* and wireless smartphone mirroring

The optional wireless charger, together with wireless mirroring, allows you to view your messages and make calls while recharging your smartphone.



easy link multimedia system with 8" screen



wireless charger*

* optional.

build yours →

03. range and charge

up to 186 mile range*

With Renault Kangoo Van E-Tech 100% electric, enjoy up to 186 miles range for your daily journeys. When driving, three regenerative braking modes extend your vehicle's driving range by recovering energy whenever you slow down or brake.



Easily charge your vehicle with the 22 kw 80 DC charger. Connect your Renault Kangoo Van E-Tech 100% electric to a standard wall box to maximise your driving range in less than 5 hours. Short of time? Charge 80% of your battery in just 40 minutes on a Rapid Charger.

regenerative braking

With Kangoo E-Tech 100% electric, the energy produced when decelerating or every time the brake is used recharges your battery.

eco mode

In urban situations, eco mode optimises battery capacity. Performance management for smoother driving that allows better energy recovery and maximum driving range.

thermal pre-conditioning

Controlled remotely using the **My Renault** application, this feature preheats the passenger compartment in winter and turns on the air conditioning in summer. Even better when the vehicle is plugged in: the energy needed is supplied without drawing on the battery.

* WLTP figures shown are for comparability purposes; only compare figures with vehicles tested to the same technical procedures. The WLTP electric range shown has been achieved using the new (WLTP) test procedure. Figures obtained after the battery was fully charged. Actual real world driving results may vary depending on factors such as the starting charge of the battery, accessories fitted after registration, weather conditions, driving styles and vehicle load.

** optional.

easy to charge

Enjoy continuous access to a broad range of customised solutions for charging at home, at work, on the road or elsewhere.



Kangoo E-Tech 100% electric is delivered with a mode 3-type cable that can be used with a domestic or public charging station.

With the My Renault application, you can check your range at any time; start your charge remotely or schedule it at off-peak times.⁽³⁾

charging at home, at work or elsewhere

Charge Renault Kangoo Van E-Tech 100% electric easily on the domestic grid using a domestic charging station,⁽¹⁾ an enhanced domestic power socket or a standard domestic power socket.⁽²⁾

With the **My Renault application**, you can check your range at any time; start your charge remotely or schedule it at off-peak times.⁽³⁾

At home, **Mobilize Power Solutions** offers you the most needs-adapted range of charging points and sockets and helps you with their installation and use.

roadside charging

Got an appointment somewhere? With the **My Renault application**, locate the public charging points closest to your destination.

For longer journeys, up to 30 miles of range in just 6 minutes at a rapid charging station.



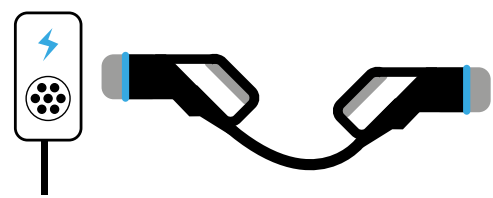
domestic

public

domestic charging point⁽¹⁾

7.4 kW

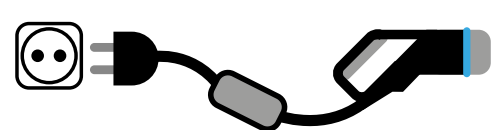
mode 3 cable included with purchase



standard domestic socket⁽²⁾

2.3 kW

optional mode 2 cable⁽³⁾



public fast charging point

80 kW

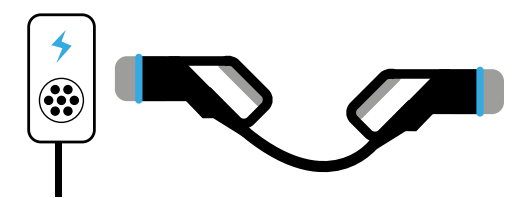
cable attached to the charging point



public charging point

22 kW

mode 3 cable included with purchase



44 kWh battery⁽³⁾
4hr 03 for charging from 20% to 80%

44 kWh battery⁽³⁾
13 hr 02 for charging from 20% to 80%

44 kWh battery⁽³⁾
40 mins for charging from 20% to 80%

44 kWh battery⁽³⁾
1hr 21 for charging from 20% to 80%

(1) Mobilize Power Solutions offers. For more information about Mobilize services, visit www.mobilize-power-solutions.uk or email business@mobilize.com

(2) only for occasional use.

(3) depending on version.

Figures quoted are for a new Kangoo Van E-Tech Electric EV45 DC80 kW Start or advance with a standard DC 80 kW charger. Charging time may vary depending on charging conditions, including charger type and condition, on-site power usage, battery temperature as well as ambient temperature at point of use, battery age and state of charge, and if battery safeguarding technology is activated. Indicated rapid charging time requires use of a public fast charging terminal charger, available only on public charger network – use your My Renault app to find the charging points.

build yours →

04. advanced driver assistance systems

advanced driver assistance systems

Renault Kangoo Van comes with twenty advanced innovative driver assistance systems.



rear view assist.

Via a digital screen – instead of the interior rear-view mirror – you can view what the camera installed at the rear of your vehicle sees.



rear-view camera.

It provides a rearward view on the easy link screen or the interior rear-view mirror when you engage reverse gear. Superimposed outlines make your manoeuvres easier and safer. Standard across the range.



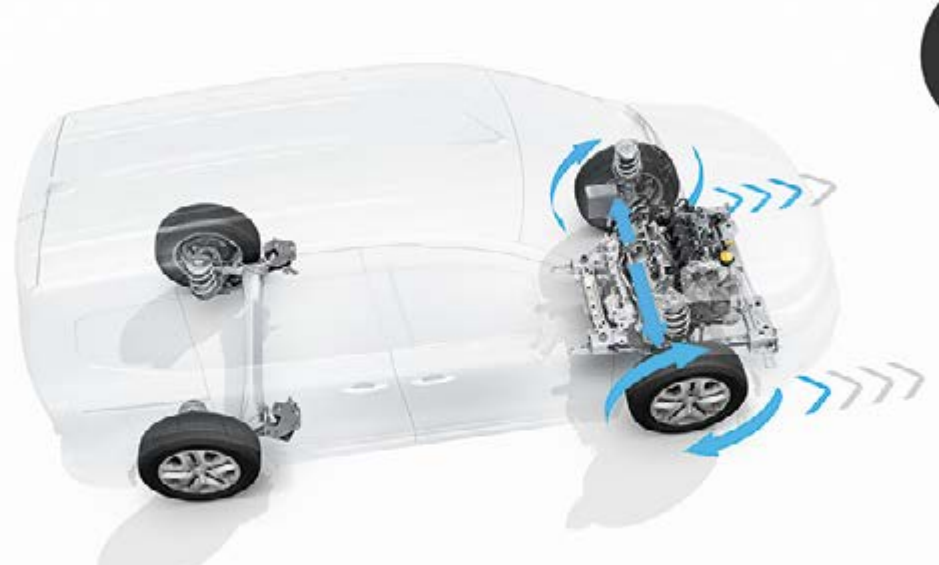
hill start assist.

Maintained with ESC, hill start assist automatically maintains brake pressure for 2 seconds to give you time to lift your foot from the brake pedal and press the accelerator. The system activates when the slope exceeds 3%. Standard across the range.



wide view mirror.

Located in the passenger sun visor, it improves your vision and helps to minimise the effect of blind spots at Y-junctions. Standard across the range.



Grip Xtend.

It allows you to drive in all weathers on different types of terrain (mud, leaves, rough roads, etc.). The system combines electronic stability control (ESC) and all-weather tyres to bring you enhanced traction, available at speeds of up to 30mph.



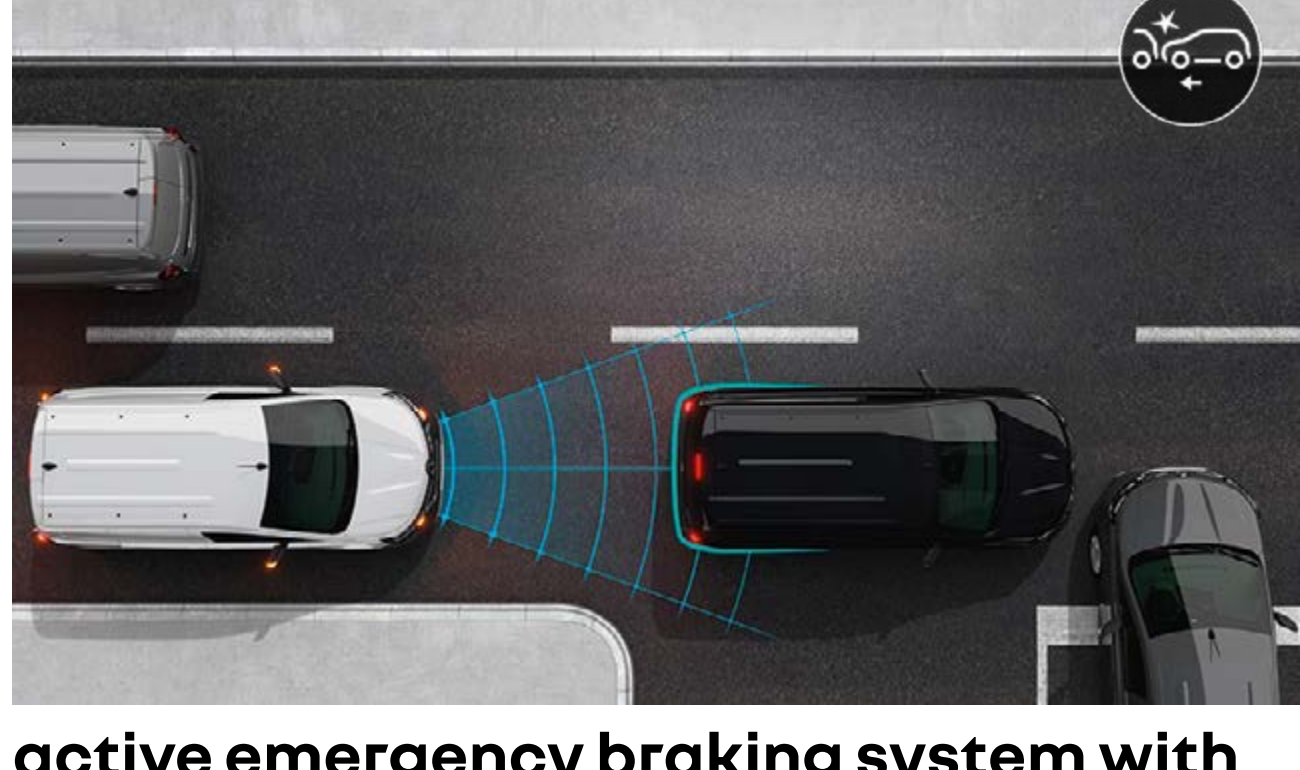
"zoning" function.

For locking or unlocking either the front doors or the loading area.



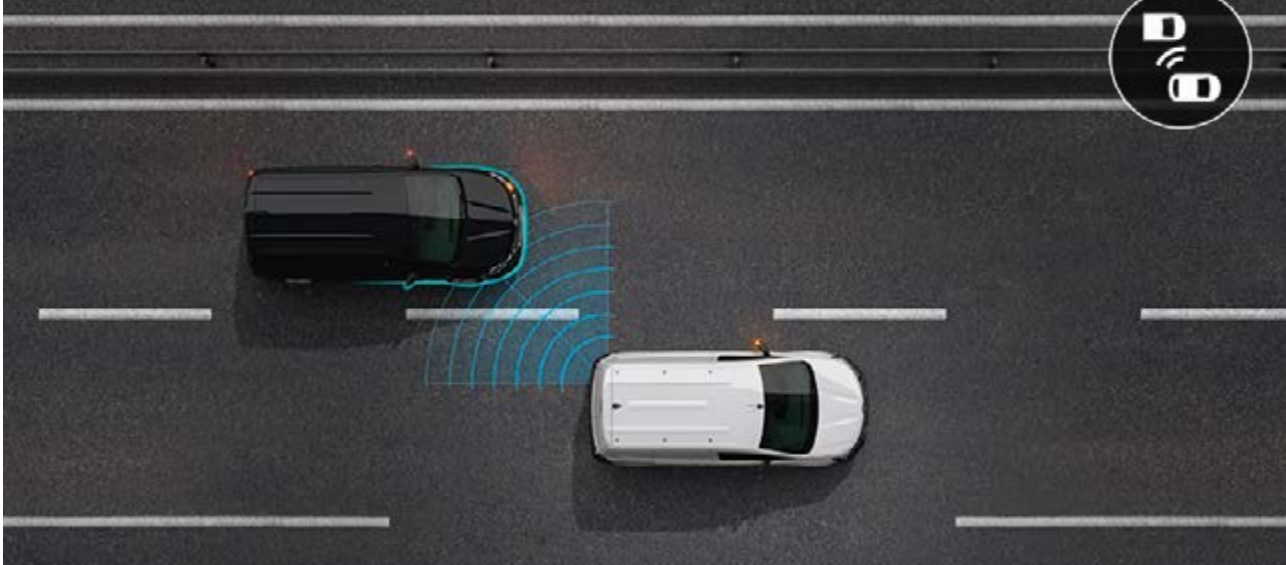
highway and traffic jam assist.

Adjust your vehicle's speed and trajectory to the surrounding traffic. Active between 0 - 100 mph, this system regulates your speed, maintains a safe distance between you and the vehicle in front and helps you stay in your lane. When traffic slows down, the vehicle automatically stops and restarts for greater comfort and peace of mind.



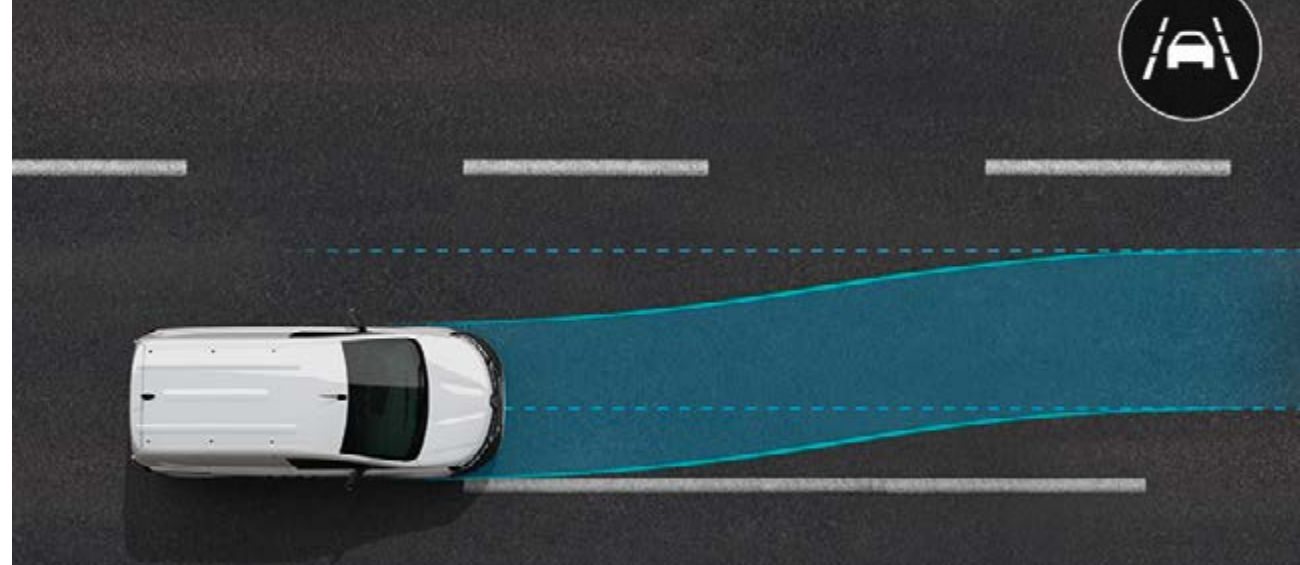
active emergency braking system with vehicle detection.

This system detects vehicles to the side or in front, and stops the vehicle in the event of any danger. Driving in the city has never been so safe, day or night. Standard across the range.



blind spot warning.

Active above 9 mph, this system uses warning lights to alert you to the presence of vehicles that are not visible in your field of vision. Standard on Extra trim, optional on Advance.



lane keeping assist.

Active between 40 and 100 mph, this system corrects the steering wheel to return the vehicle to its lane if you ever cross a continuous or broken line without activating your indicator. Standard across the range.



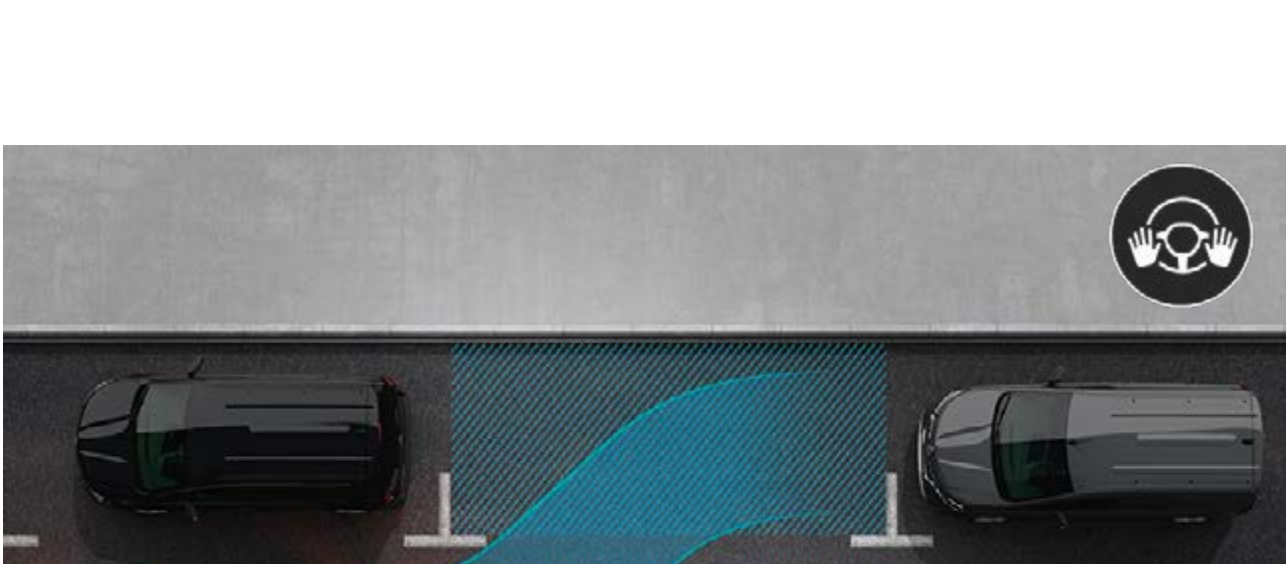
adaptive cruise control.

This system helps you maintain a safe distance between you and the vehicle in front of you while driving. The system operates the brakes when the distance is too short and the accelerator when the road is clear again.



road sign recognition and speeding alert.

This system informs you of speed limits via the instrument panel and alerts you if you exceed the speed limit thanks to a camera positioned at the top of the windscreen. Standard across the range.



park assist systems.

Driving has never been so easy. The front, rear and side parking sensors warn you with audible and visual signals when obstacles are close by. Hands-free parking performs all the manoeuvres for you. All you need to do is manage the speed.



sidewind assist.

When there are strong cross winds or when a vehicle overtakes, it helps maintain your trajectory at above 40 mph.



trailer sway assist.

Trailer sway assist helps you control your trajectory when towing a trailer. The system reduces its weaving road holding in difficult cross-winds or poor road conditions.

We have enhanced the safety and driver assistance systems across the Kangoo range, the following features are now standard:

- rear parking sensors
- lane departure warning
- active emergency braking
- tyre pressure monitor
- driver attention and drowsiness warning
- rear view camera
- intelligent speed assist – overspeed prevention and traffic sign recognition
- automatic high beam assist

Hill start assist, wide view mirror, sidewind and trailer sway assist as standard, other features shown are optional.

[build yours →](#)

05. customisation

colours



mineral white⁽¹⁾



urban grey⁽¹⁾



starry black⁽²⁾



highland grey⁽²⁾



oyster grey⁽²⁾

(1) solid, non-metallic paint

(2) metallic paint

a range of special colours are available on request.

photos not contractually binding.

build yours →

05. customisation

interior trims



advance

- Single passenger seat*
- EASY LINK display with 8" touchscreen, DAB radio, Bluetooth and USB ports
- automatic headlights and rain sensitive front wipers
- manual air conditioning
- automatic monozone air conditioning (E-Tech versions only)



extra (advance +)

- passenger bench seat with storage and -mobile office
- EASY LINK navigation with 8" touchscreen, DAB radio, Bluetooth and USB ports
- Imitation leather steering wheel

*PLEASE NOTE - Advance models come with single passenger seat as standard, NOT passenger bench seat which is standard from Extra trim level or as an costed option.



download trims and equipment pdf (6MB)



download the van price guide pdf (6MB)

05. customisation

upholstery



black fabric upholstery



black fabric cloth, with yellow accents*

wheels



16" steel wheels



16" flex wheel trims



16" alloy wheels

build yours →

05. customisation

accessories



roof bars

Load capacity: up to 150 kg with 3 bars (100 kg for 2 bars). Anti-theft system with key. Mounted without drilling with positioning marks on door seals.

Ideal for transporting a bicycle rack, ski rack or roof box and increasing the vehicle's load capacity. Can be combined with an additional 3rd rear bar, sold separately.



aluminium roof rack

Transport up to 100 kg of equipment on the roof of your vehicle easily and safely.



swan neck towbar pack

Easy to attach, this towbar allows you to tow a trailer so you can carry everything you need for your work.



rubber mats

Protect your passenger compartment floor with waterproof easy-to-clean rubber floor mats.



front and rear mudguards

Provide the lower body of your Kangoo Van with effective protection against mud and gravel.



download the accessories brochure pdf (6 MB)

build yours →

05. customisation

E-Tech 100% electric motor

AC 22kW + DC 80kW

battery type (kWh)
45 kWh lithium-ion battery with cooling system
power kW (hp) / eco mode
90 kW (120 hp) / 55 kW (75 hp)
maximum speed mph (kmh/h) / eco mode
81 mph / 130 km/h
WLTP driving range (miles)⁽¹⁾
up to 186 miles
0-62 mph (s)
11.6
tyre/wheel size
205/60 R16 / 16"

(1) WLTP (Worldwide harmonized Light vehicles Test Procedures): this new protocol provides results much closer to those found in daily use compared to the NEDC protocol.

engines

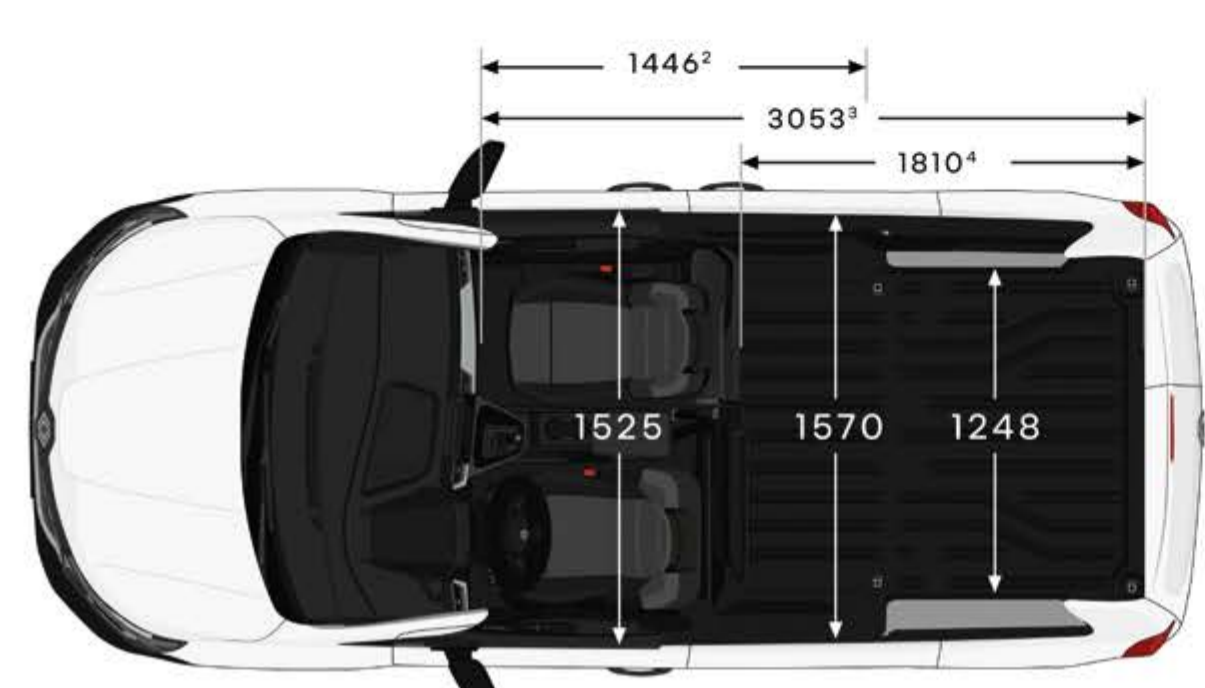
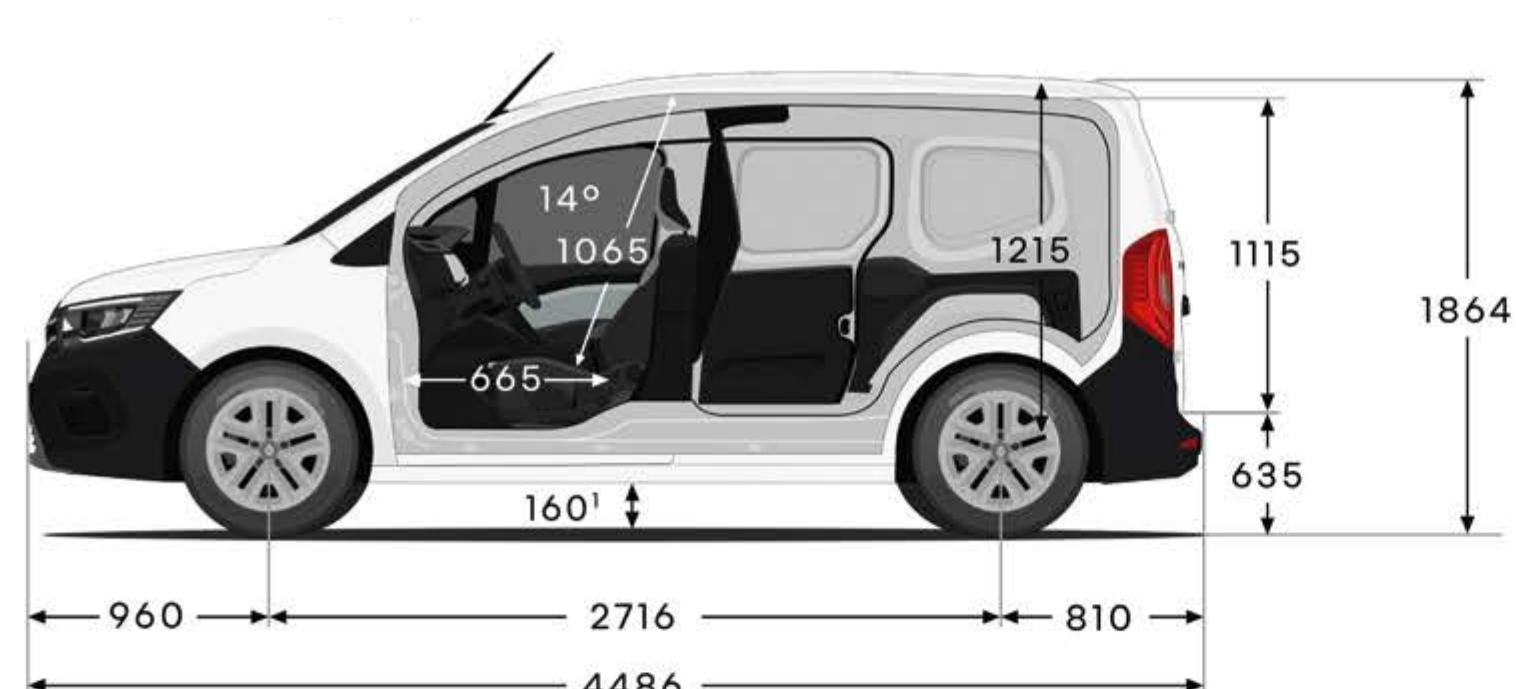
TCe 100	Blue dCi 95	Blue dCi 115 EDC
fuel		
unleaded	Diesel	Diesel
max. power kW EEC (hp) at rpm		
75 (100) at 4,500	70 (95) at 3,750	85 (115) at 3,750
max. torque Nm EEC (hp) at rpm		
200 at 1,500	260 at 1,750	270 at 1,750
gearbox type/number of gears		
manual 6-speed	manual 6-speed	automatic 7-speed
0-62 mph (s)		
14.5	13.6	12.1



download the engines pdf (6MB)

dimensions, volumes and weights

Kangoo Van Medium Wheelbase



¹Garde au sol à vide

²Largeur ouverture latérale

³Longueur de chargement avec cloison pivotante ouverte et siège passager escamoté

⁴Longueur de chargement derrière cloison pleine

⁵Valeur à 700mm de la barre de seuil

⁶Valeur à 100mm de la barre de seuil

load volume (dm³)

with fixed bulkhead

3,300

weights and loads (kg)*

internal combustion engine

electric

version

start

advance/extra

E-Tech

max. gross vehicle weight

2,230

21,80-2,260

2,230

max. unladen kerb weight

1,416

1,344-1,464

1,622

max. payload

850

796-836

608

max. trailer weight

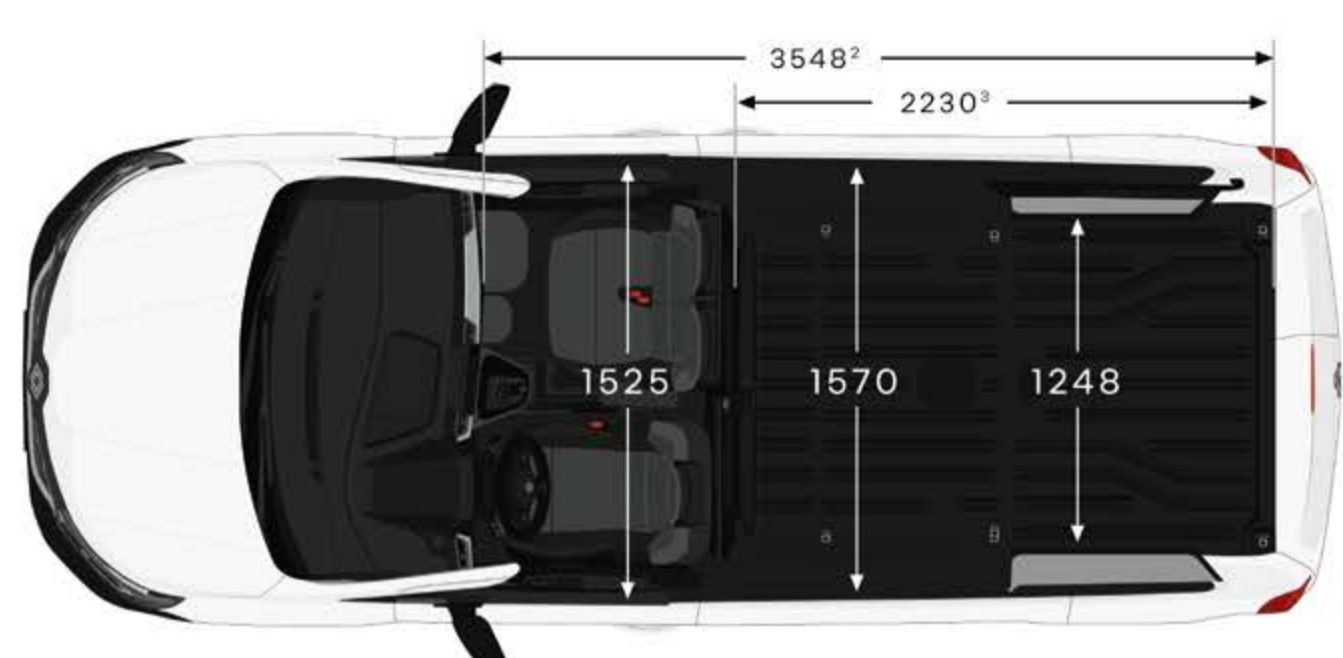
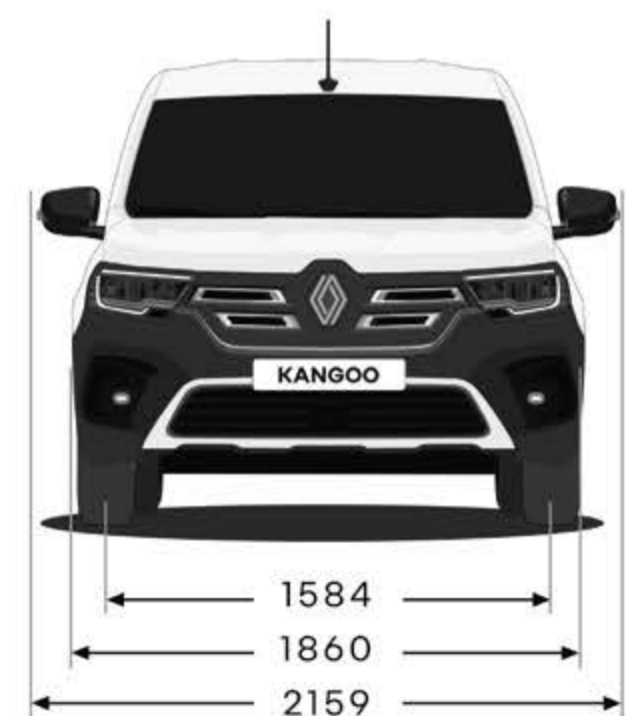
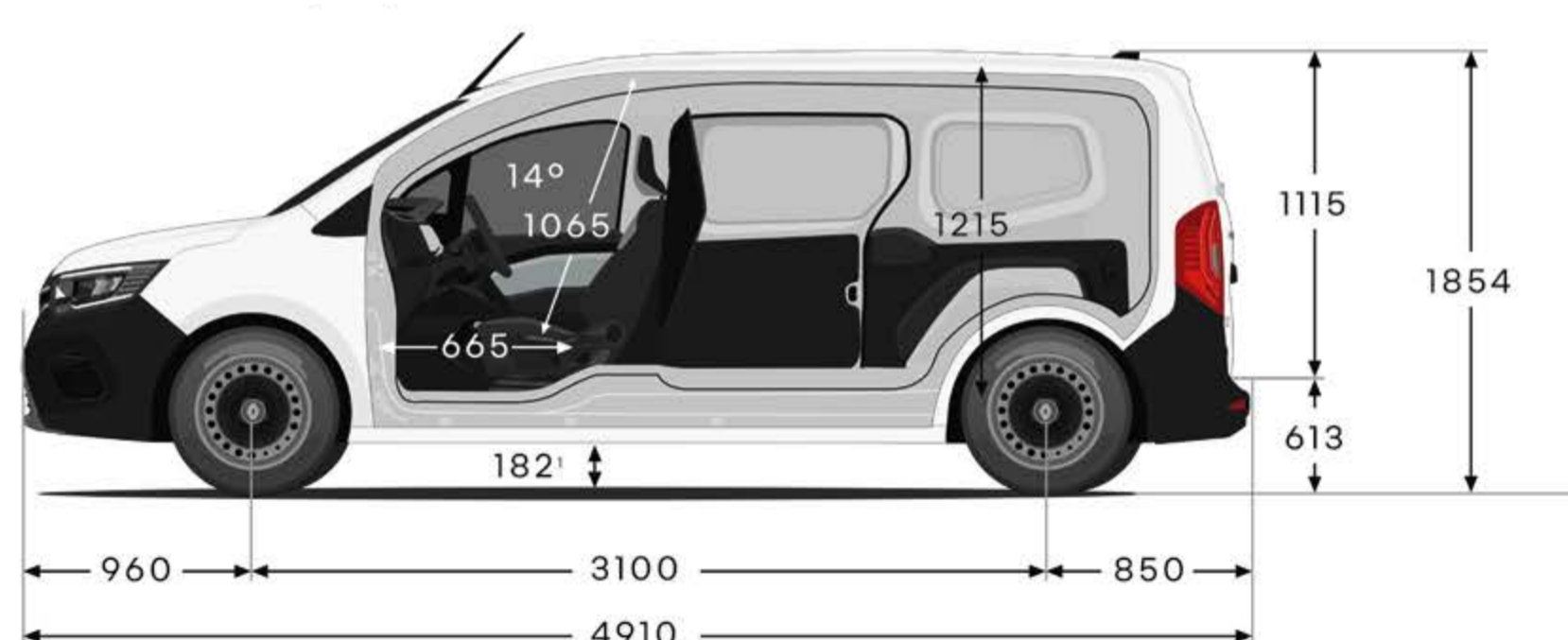
(braked/unbraked)

1,500/750

1,500/750

1,500/750

Kangoo Van Long Wheelbase



¹Garde au sol à vide

²Longueur de chargement avec cloison pivotante ouverte et siège passager escamoté

³Longueur de chargement derrière cloison pleine

⁴Valeur à 700mm de la barre de seuil

⁵Valeur à 100mm de la barre de seuil

load volume (dm³)

with fixed bulkhead

4,200

weights and loads (kg)*

internal combustion engine

electric

version

start

advance/extra

E-Tech

gross vehicle weight

2,680

2,540-2,560

2,510

max. unladen kerb weight

1,693

1,565-1,588

1,726-1,746

max. payload

987

952-975

764

max. trailer weight

(braked/unbraked)

1,500/750

1,500/750

1,500/750

dimensions in (mm).

(1) unladen ground clearance.

(2) width of side opening.

(3) loading length with open pivoting partition and passenger seat stowed.

(4) loading length behind panelled partition.

(5) value at 700 mm from sill bar.

(6) value at 100 mm from sill bar.

build yours →

glossary

E-Tech

100% electric, hybrid or plug-in hybrid technology developed by Renault.

regenerative braking

Energy recovery system during braking, which increases the vehicle's driving range: whenever the vehicle slows down, part of its kinetic energy is converted into electricity. The battery recharges when the driver lifts their foot off the accelerator pedal or presses slightly on the brake pedal.

reinforced domestic socket

A home charging solution that is more efficient than a simple domestic socket. Allows for more powerful (3.2kW for a reinforced socket vs 2.3kW for a standard socket) and more secure charging (fitted with a differential circuit breaker).

domestic charging station

Delivers a much higher intensity than a standard domestic socket, for more efficient and faster charging. It enables safer home charging thanks to its systems for controlling charging and protecting against overvoltage.

flexi-charger

Charging cable that can be used to plug a car into a domestic power outlet. Designed for occasional home charging, the flexi-charger should preferably be plugged into an electrical socket connected to a specific earth connection.

mode 2

For domestic use, this cable is needed to charge an electric vehicle using conventional sockets.

mode 3

This cable is needed to charge the electric vehicle on a wallbox or with public infrastructure.

useful capacity

Amount of energy contained in the battery that can be used by the vehicle. Value expressed in kilowatt hours (kWh).

kWh

Abbreviation for kilowatt hours. Unit of energy which corresponds to 1 kW of power consumed over one hour.

kW

Abbreviation for kilowatts. Unit used to measure the power of a vehicle's engine, whether it is electric or powered by an internal combustion engine. The kilowatt measures the direct current (DC) or alternating current (AC) charging power.

AC charge

Low to medium power AC charging (max. 22kW). This is the charging method most commonly found in homes or at most public charging points.

DC charge

Rapid direct current charging (50 kW minimum). Requires a specific fast charging station, available only on the public network.

My Renault

Renault application connected to your vehicle that can be downloaded onto your phone from Google Play or the App Store. You can use it to locate nearby charging stations, find your vehicle, schedule charging and plan your journey in advance, as well as displaying remaining range and pre-setting the temperature of the passenger compartment.

Mobilize, services to simplify your electric journey

Enjoy a smooth and practical electric journey with the installation of a **free*** Mobilize Home Charger that includes a physical home survey and a smart app, enabling you to monitor your energy costs and consumption. What's more our Mobilize Charge Pass gives you access to a network of public chargers so you can charge on the go.



Mobilize power solutions
Installation of home charging solutions.

Mobilize charge pass
Easier payment and location of charging points.

*This only applies to the Kangoo Charged Up offer.

Renault Pro+

When you own a Renault van you become part of a team designed to keep your business moving. One that's been honing its expertise for more than 100 years. One that has awardwinning vehicles adapted to meet every business need. One called Renault Pro+.

- . overnight servicing keeps your business moving
4:00pm drop off 10:00am collection
- . price match guarantee
subject to Pro+ Promise T&C's
- . dedicated experts at your service
- . 12 months parts and labour warranty - pride in our work

Renault Pro+ Let's get to work

[Find out more about Renault Pro+](#)

further information

vehicle	classed as	delivery to dealer and number plates*	vehicle excise duty	first registration fee	total
Kangoo	van	£700	£335	£55	£1,090
Kangoo E-Tech	van	£700	£0	£55	£755

Information correct at time of publication * Inc VAT † WLTP figures shown are for comparability purposes; only compare figures with vehicles tested to the same technical procedures. Actual real world driving results may vary depending on factors such as weather conditions, driving styles, vehicle load or any accessories fitted after registration. WLTP is a new test used for fuel consumption and CO₂ figures. Please visit [renault.co.uk/configure](https://www.renault.co.uk/configure) for WLTP figures for any selected options.



Renault services

3 years warranty

Your vehicle is covered by a warranty package for up to 3 years from date of first registration (unlimited mileage during the first 24 months, followed by a further 1 year limited to a total mileage of 100,000). Your Renault Dealer is able to repair or replace without charge, parts that are found to have a material or assembly defect that is recognised by Renault. The paintwork warranty runs for 3 years and the anti-corrosion warranty for 12 years. The Kangoo E-Tech battery has a warranty of 8 years or 100,000 miles, whichever comes first.

For Warranty Terms and Conditions please visit www.renault.co.uk/warranty

3 years Renault assistance

Should you need it, we'll provide emergency roadside repairs or tow you to the nearest Renault Dealer. This service is available 24 hours a day and is provided for 36 months from the date of first registration (unlimited mileage for first 24 months, then limited to a total of 100,000 miles or 3 years, whichever comes first). Assistance is provided within the UK & Northern Ireland only at roadside, home and includes national recovery and onward travel. Assistance applies to mechanical or electrical defects which are covered by warranty.

For Renault Assistance and Terms and Conditions please visit www.renault.co.uk/assistance

LCV service plans & extended warranties

Renault's LCV Service Plans are the ultimate package to provide care free servicing for your new Renault LCV. It really is the hassle free way to take care of your Renault and benefits from;

- Inflation Proof Servicing - You know exactly what you'll pay and there are no hidden costs
- Peace of Mind - No matter where life takes you, we'll be there in over 5000 workshops across Europe
- Renault Expertise & Quality - Our highly trained technicians know your Renault inside out

The Renault LCV Service Plan contains Renault services in-line with the manufacturer's service schedule, plus comes with a complimentary vehicle safety check to ensure your Renault is in the best condition possible.

Renault LCV Extended Warranty enhancements also available. Refer to the Price Guide for more details.

service intervals

Kangoo ICE versions: 18,000 miles / 2 years

Kangoo E-Tech electric service year: Year 2 / 24,000 miles and then every 2 years / 24,000 miles thereafter

Renault Network Services

For servicing plan terms and conditions visit www.renault.co.uk/serviceplan

*Finance provided by Renault Finance, P.O. Box 149, Watford, WD17 1FJ. Guarantees and indemnities may be required. You must be at least 18 and a UK resident (excludes Isle of Man and Channel Islands) to apply. Subject to status, terms and conditions apply. †Calls to 0330 numbers are free if used as part of your inclusive mobile minutes and are charged at local rates from landlines. Renault UK Limited (company number 82932), registered at The Rivers Office Park, Denham Way, Maple Cross, Rickmansworth, Hertfordshire, WD3 9YS.

No-one is better placed than Renault to maintain, fit and repair your Renault, fast. The Renault Minute (maintenance and repair with no appointment necessary) and Renault Rapide Bodycare (bumper scuffs, dings and dents, windscreen, stone chips and interior repairs...) services deliver the highest level of repair and maintenance and offer a full year's guarantee on Original Renault Parts. And don't forget to have a look at our wide range of additional equipment and accessories!

Renault iCare

Renault iCare is an innovative Service, Maintenance & Repair product that supplies Business customers with a fully supported, managed hassle free service and maintenance package.

Renault iCare is a "Pay-As-You-Go" product that insures your vehicle is maintained by Renault technical experts when work is required.

iCare provides the following benefits:

- Full Service, Maintenance & Repair cover in the Renault Dealer Network
- Tyres can be included within the contract at an additional fixed cost
- Ancillary equipment can also be included (at an additional fixed monthly cost)
- Excludes: Damage/Neglect/Abuse/ Glass & Bulbs
- A fixed, pre agreed pence per mile rate
- No excess mileage charges at the end of the contract
- No pooled mileage administration
- Minimalise downtime

For more information and to obtain a quote based on your requirements, please speak to your local Renault Business dealer or visit www.renault.co.uk/icare

customer relations

Renault knows the value of communicating with its customers and we have established effective ways to keep in touch with you. If, after speaking to your local Renault dealership, you are not completely satisfied, please contact the Renault UK Customer Relations Team on 0344 3350000† (Mon-Fri 8.00am to 6.00pm, Closed on Bank Holidays. Live Chat Mon-Fri 8.00am to 9.00pm). You can also visit our website www.renault.co.uk or write to us at: Renault UK Ltd, The Rivers Office Park, Denham Way, Maple Cross, Rickmansworth, Hertfordshire, WD3 9YS.

finance options*

There are a wide variety of ways in which the purchase of a new vehicle can be financed. Renault Finance offers all of them, so whether you're a fleet buyer or private buyer, Renault Finance is ideally placed to tell you which plan or combination of plans best suits your needs and circumstances.

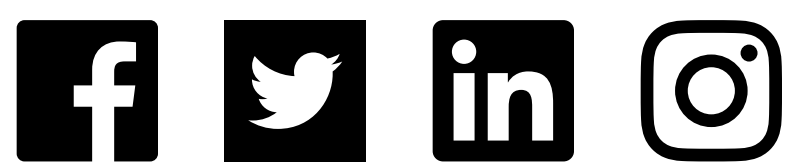


Every precaution has been taken to ensure that the contents of this publication were accurate and up-to-date at the time of printing. This document was created using pre-production models and prototypes. In line with its policy of continuous product improvement, Renault reserves the right to modify the specifications, vehicles and accessories described and featured at any time. Any such modifications are communicated to Renault dealers as quickly as possible. Depending on the country of sale, versions may differ and some equipment may be unavailable (standard, optional or accessory). Please contact your nearest dealer for the latest information. For technical printing reasons, the colours featured in this document may differ slightly from those of the actual paintwork or interior trim. All rights reserved. Reproduction in any format and by any means of all or part of this publication is prohibited without prior written authorisation from Renault.

Publicis – photo credits: – Online only – April 2024.

Renault Pro+

business.renault.co.uk



build yours →