

RENAULT TRAFIC E-TECH

electric



16 December 2025

designed for efficiency

Available in 2 lengths and 2 heights with an E-Tech electric engine, Renault Trafic E-Tech adapts to your business.



Office on wheels, connectivity with smartphone replication, on-board comfort, loading length and volume - everything has been optimised.

10 advanced driver-assistance systems

4.15m loading length*

8.9 m³ of loading volume*

2.5 t of towing capacity*

88 litres of storage space*

up to 183 miles* of driving range

*with a maximum speed of 68mph. equipment and measurements depend on version.

interactive menu

01. design

02. loading

03. interior experience

04. range and charge

05. advanced driver-assistance systems

06. customisation

download the PDF



equipment and engines



accessories

designed to make your life easier

Dynamic and elegant, the exterior design of Renault Trafic Van E-Tech is functional above all else. Its sharp angles optimise loading and make it more practical, and its configuration more straightforward.



The 100% LED C-Shape headlamps allow for better night vision. Its electric folding door mirrors with built-in signal repeaters make your manoeuvres completely safe.



[configure and order →](#)

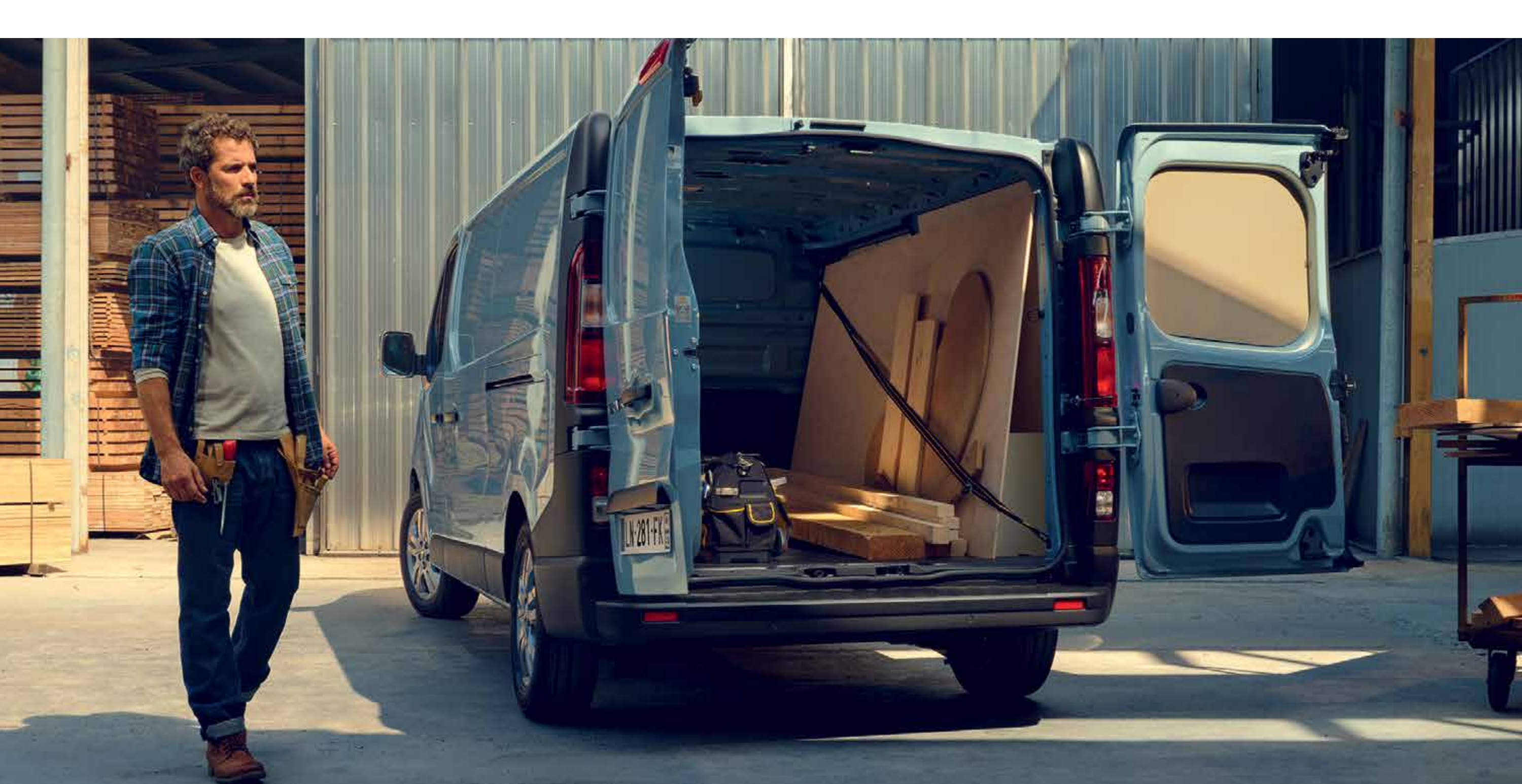
optimal loading space

With its record loading length of 4.15 m⁽¹⁾ using the ingenious load-through facility⁽¹⁾ under the passenger bench seat and its 270° opening doors⁽²⁾, you can combine versatility with practicality.



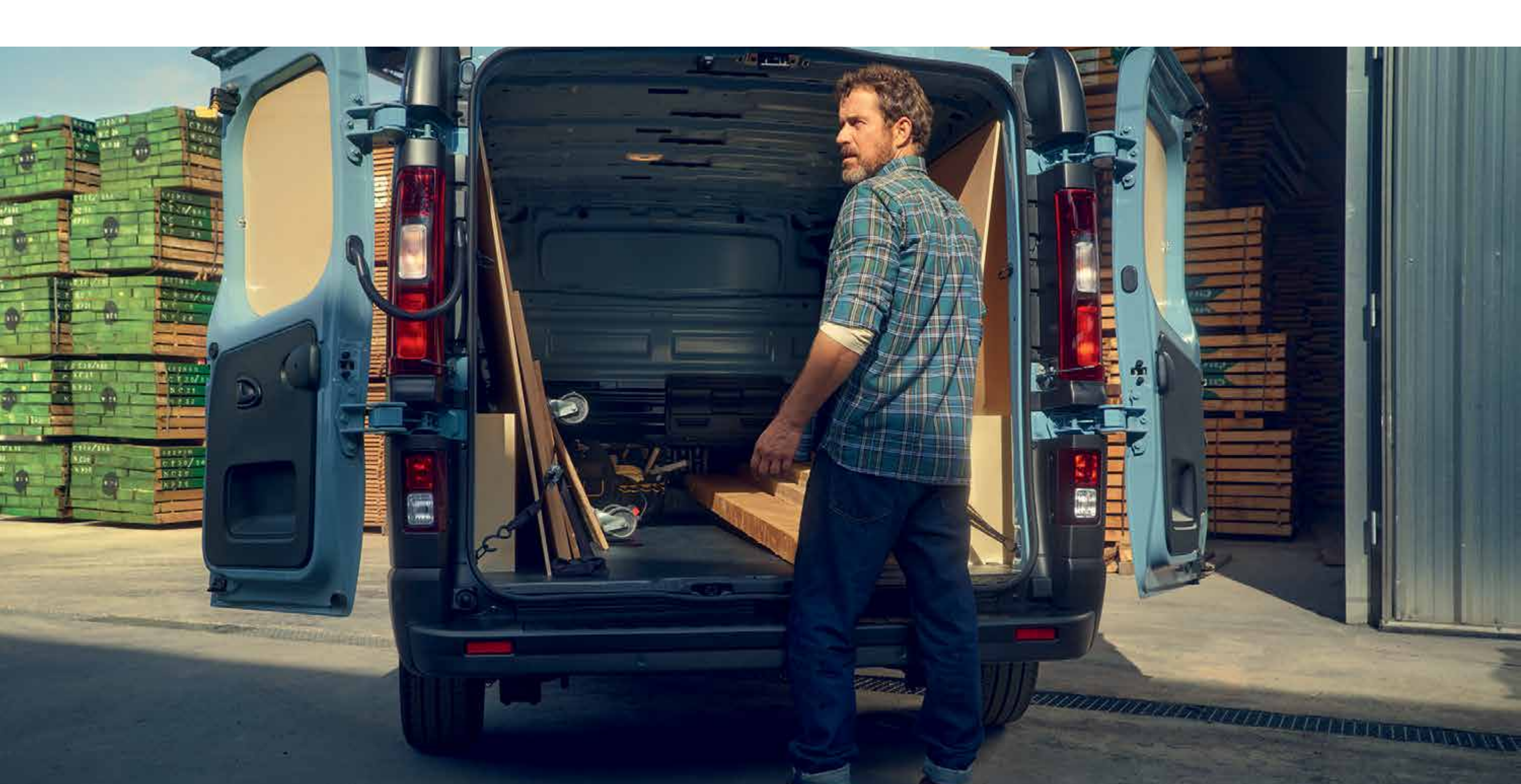
4.15m loading length thanks to the flap under the passenger bench seat⁽¹⁾

The loading volume of up to 8.9 m³ means you have plenty of space for everything you need: tools, supplies, bulky items, rubble, and more.



8.9 m³ of load volume⁽¹⁾

The vehicle also features two LED lights in the loading area and up to 16 anchoring points⁽¹⁾.



up to 16 anchoring points⁽¹⁾, 270° opening rear doors and two LED lights in the loading area⁽²⁾

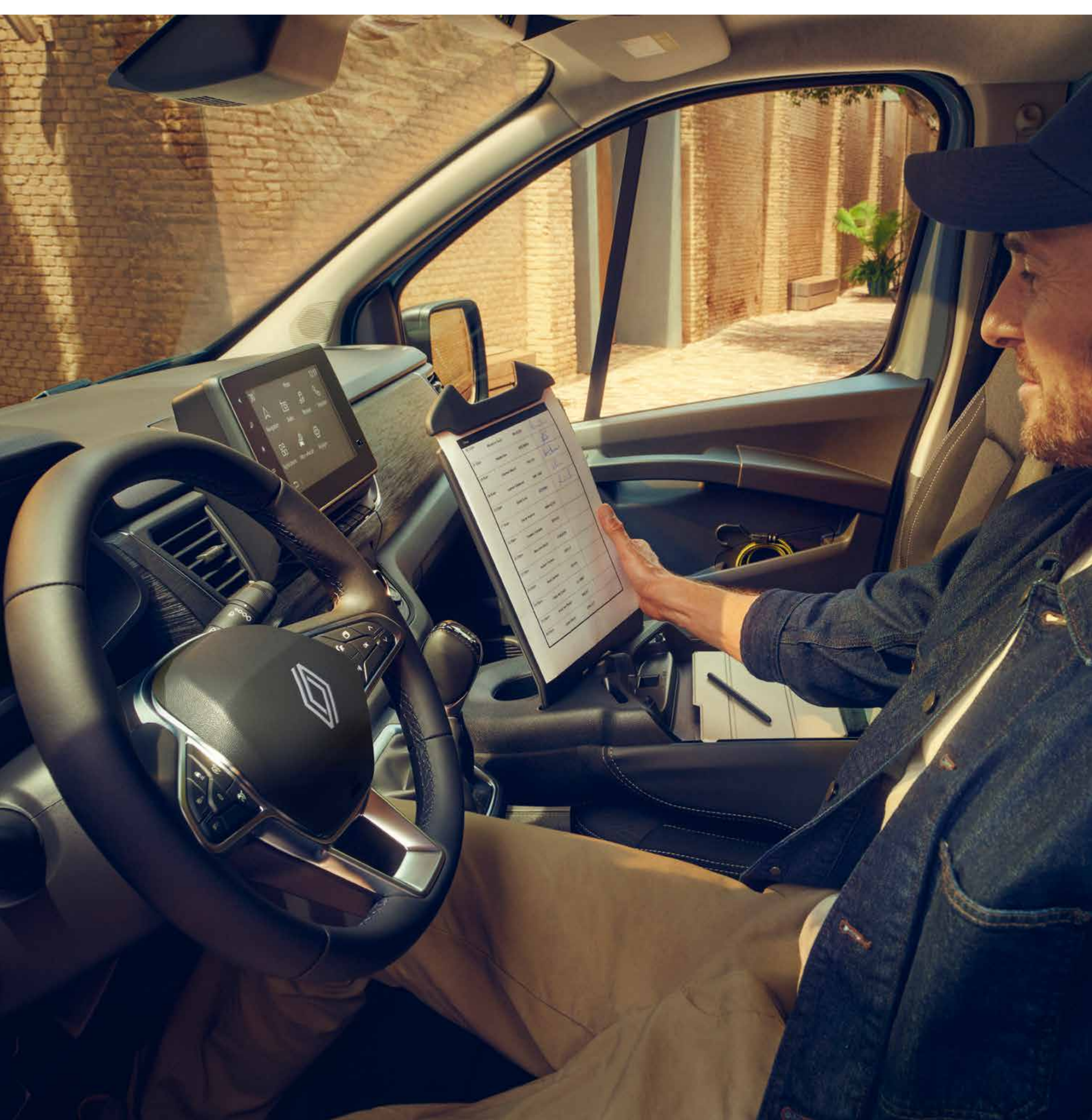
(1) on the L2 version.

(2) optional.

[configure and order →](#)

take your office with you

Equipped with a mobile office layout, Renault Trafic Van has everything you need: its wide central seat folds down so you can set a tablet, a computer or even its integrated A4 document holder.



mobile office: back of the central folding seat designed to hold your folders or computer

Comfort is guaranteed with its lumbar-adjustable front seats. It also offers the best storage volume for a vehicle in its category: 88 litres in the passenger compartment.



storage under the bench seat

With generous storage in the doors, a drawer beneath the bench seat and wide cupholders, everything can be easily organised!

[configure and order →](#)

integrated connectivity

Customise your driving experience and make the most of the easy link* system through the 8" central screen; you can also connect your smartphone with wireless mirroring via Bluetooth®, Android Auto™ or Apple Carplay™.



On board, the easy link system incorporates numerous applications:

- TomTom Services, the best of connected navigation with automatic updating of your route, notification of danger zones and fuel prices, and location of charging stations*.
- Google address search, to find a specific destination or point of interest only with keywords*.
- wireless mirroring, to enjoy your playlists and favourite applications.

The My Renault app helps you get the most out of your Traffic E-Tech 100% electric including:

- display of remaining driving range.
- display of remaining charging time until full charge and notification when charging has ended.
- charge scheduling.
- setting of the passenger compartment's temperature.
- charging planning and location of nearby charging stations.

*EasyLink navigation is optional
Android Auto™ is a trademark of Google Inc.
Apple CarPlay™ is a trademark of Apple Inc.

configure and order →

easy to charge

You have access to a broad range of customised solutions for charging at work, on the road or at home.



Renault Traffic Van E-Tech electric is delivered with a mode 3 cable that can be used with a domestic or public charging station.

charging at work, at home or on the road

Its easy to charge and manage your energy costs with **Mobilize Power Solutions** all-encompassing charging services and products - from fitting your convenient home charger to installing your own workplace charging infrastructure, through to accessing charging stations enroute.

What's more, **Mobilize Manager**, a software management platform provides visibility of all charging sessions and charge points, and can enable drivers to simply expense energy used for business miles whether they charge at home, on the road or at work.

To find out the best way to charge your Renault Traffic van E-Tech electric, contact Mobilize Power Solutions on business@mobilize.com.

effortless charging

With Renault's clever **MY Renault app**, you can schedule charging sessions and view battery status from your mobile.

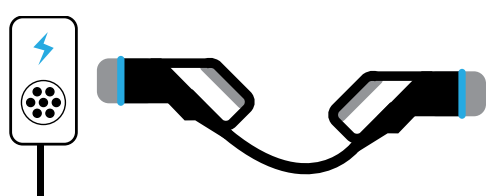
configure and order →



domestic

domestic charging station
7.4 kW

mode 3 cable included with purchase

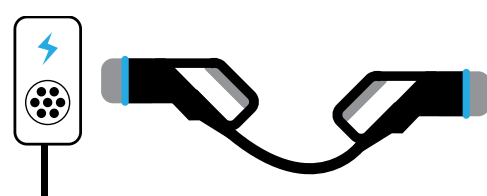


52kWh battery
1 h 15 for 31 miles
4 h for 106 miles
8 h for 183 miles

public

public charging station
22 kW

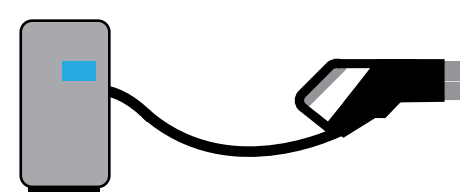
mode 3 cable included with purchase



52kWh battery
1 h 15 for 31 miles
4 h for 106 miles
8 h for 183 miles

public fast charging point
150 kW

cable attached to station



52kWh battery
12 min for 28 miles
40 min for 106 miles
54 min for 183 miles

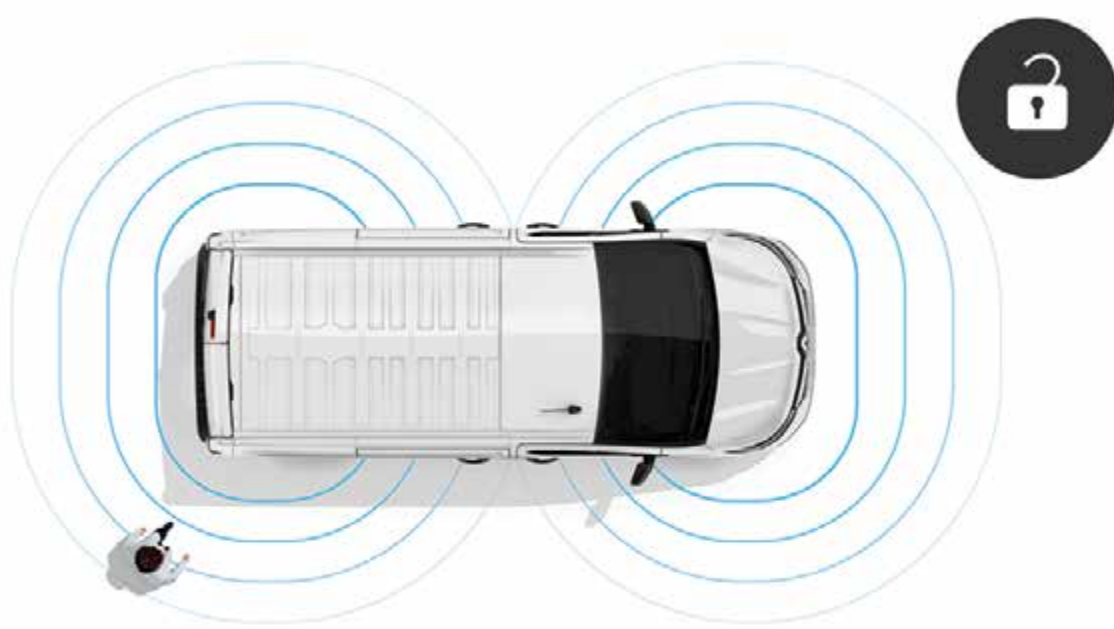
configure and order →

05. advanced driver-assistance systems



10 advanced driver-assistance systems

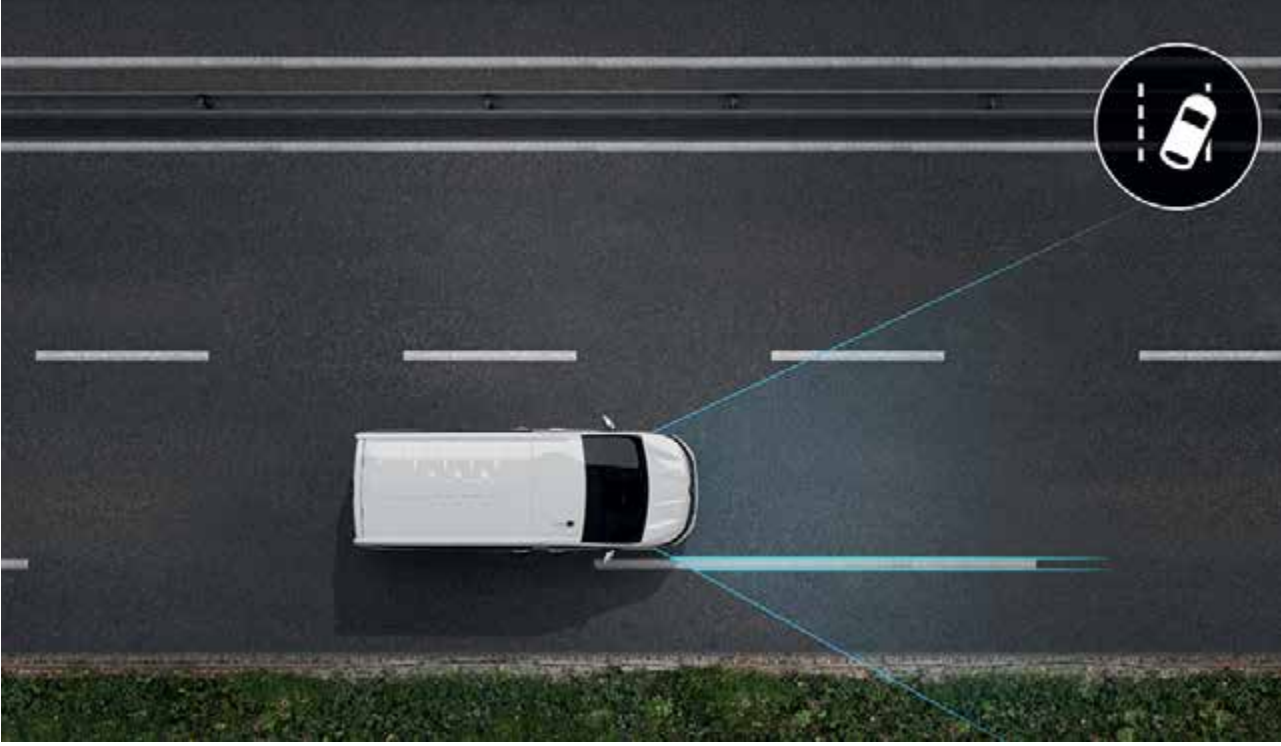
As part of the human first program, Renault Traffic Van E-Tech comprises 10 systems based on advanced technology to ensure your safety and that of your passengers.



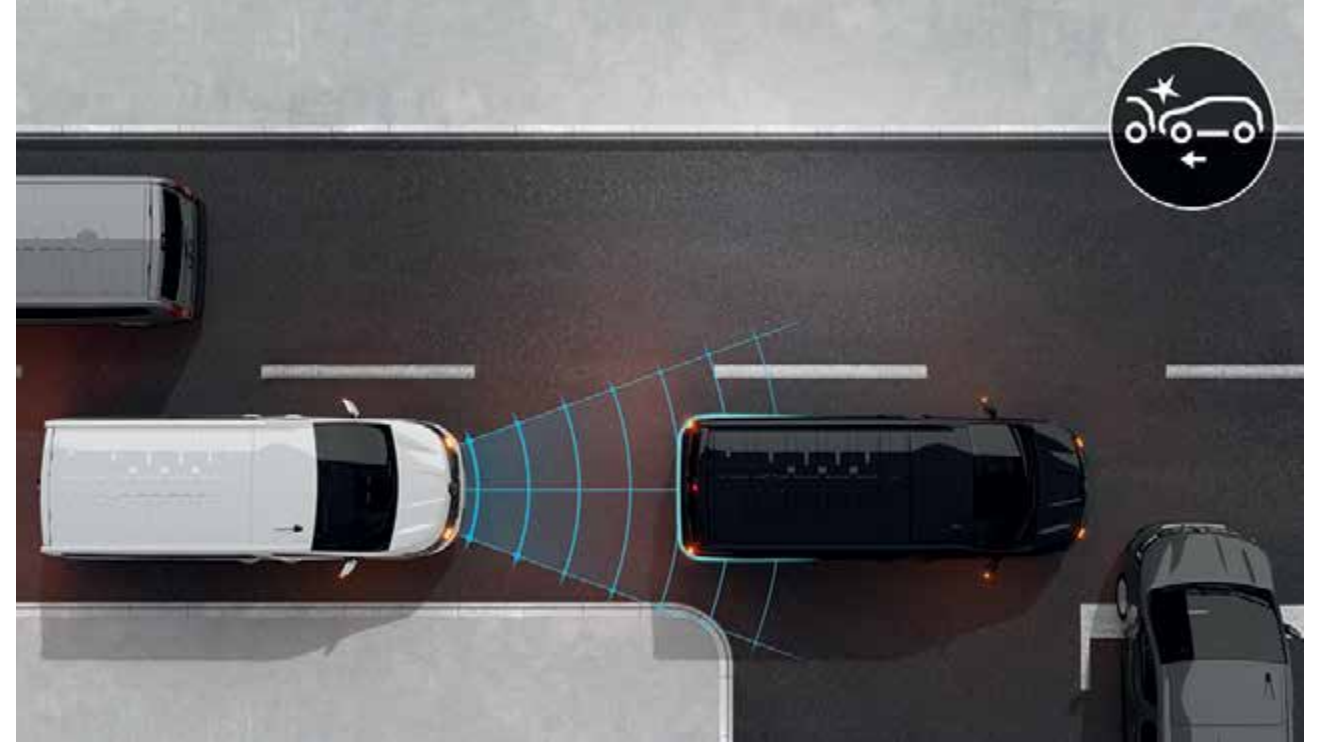
"zoning" function
For independently locking or unlocking either the front doors or the loading area.



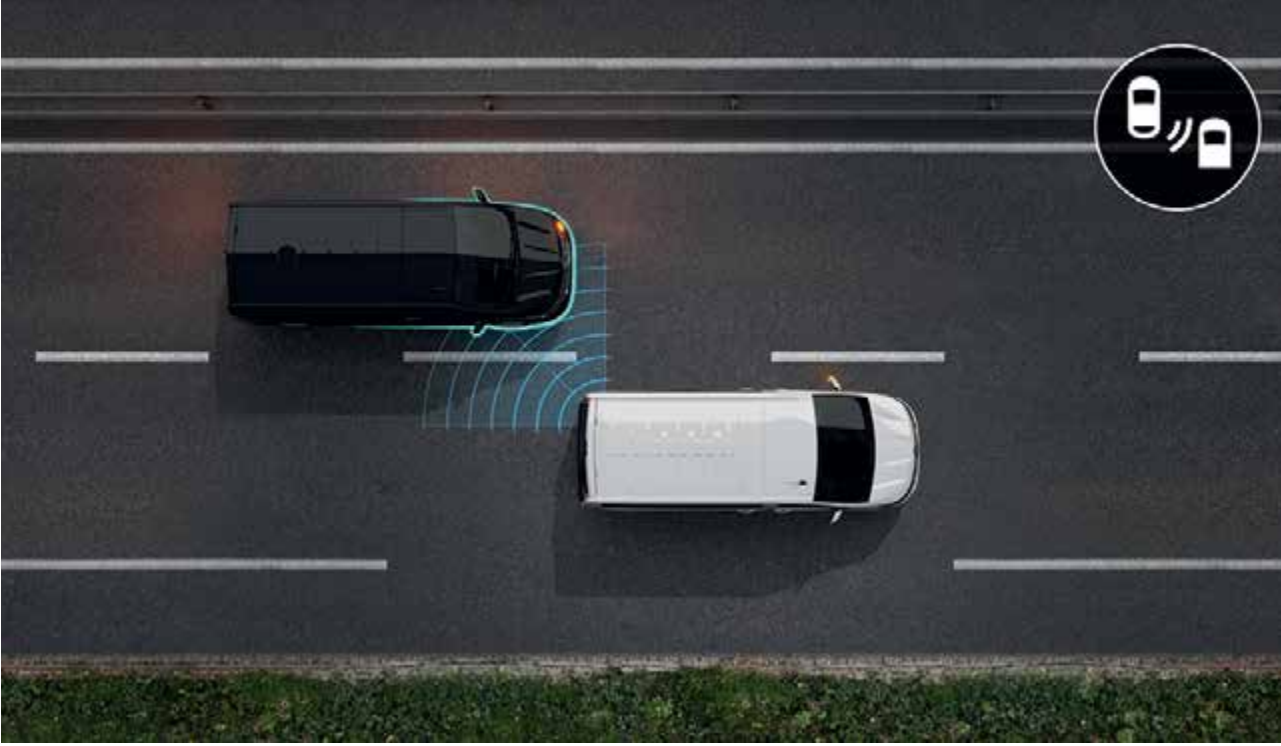
airbags
Front and side airbags protect the driver and passengers against violent impacts.



lane departure warning
The system informs the driver of any unintended crossing of a solid or broken line, using a camera located on the windscreen, behind the rear-view mirror.



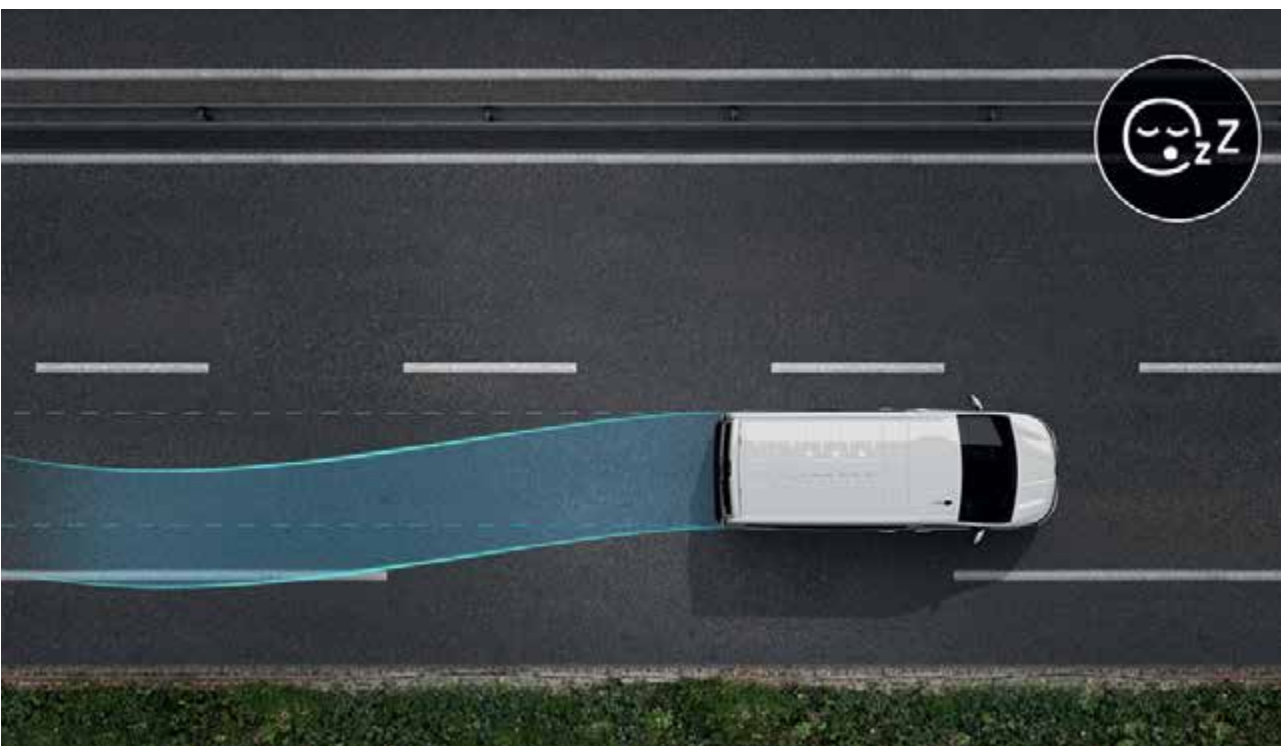
active emergency braking system
This system detects vehicles, cyclists and pedestrians to the side or in front, then stops the vehicle in the event of any danger. Driving in the city has never been so safe, day or night.



blind spot warning
Enabled at speeds over 15 km/h, this system uses warning lights to alert you to the presence of vehicles that are not visible in your field of vision (optional).



parking sensors
Radar sensors facilitate your manoeuvres by warning you, through audio and visual signals, about any surrounding obstacles (rear sensors standard, 360 sensors optional).



driver attention and drowsiness warning
This function analyses your behaviour and warns you of any risk of fatigue in the event of inappropriate steering wheel movements, for example. The warning then recommends you take a break with a visual and audible message on the instrument panel.



automatic main beam headlight activation
This system works using a camera positioned at the top of the windscreen. The camera analyses the light flows based on lighting and traffic conditions (optional).

driver-assistance and safety systems as standard

- intelligent speed assist
- active emergency braking system
- lane departure warning
- driver and passenger airbags
- rear parking sensors
- driver attention and drowsiness alert

park assist systems

- "zoning" function

[configure and order →](#)

06. customisation

colours



cumulus blue ⁽¹⁾⁽³⁾⁽⁴⁾



urban grey ⁽¹⁾⁽⁵⁾



highland grey ⁽²⁾



slate grey ⁽²⁾⁽⁴⁾



glacier white ⁽¹⁾



midnight black ⁽²⁾



carmin red ⁽²⁾⁽⁴⁾

(1) solid paint.

(2) metallic paint.

(3) not available with body coloured front bumper, door rail, rear tail light column and chrome grille. colours shown may vary in real life.

(4) not available on high roof versions.

(5) not available with body coloured rear bumper and side mouldings.

photos not contractually binding.

configure and order →

06. customisation

interior trims



advance

- EASY LINK display with 8" touchscreen, DAB radio, Bluetooth and USB ports
- connected navigation services
- wireless smartphone integration with Android Auto™ and Apple CarPlay™
- kompo upholstery
- driver's seat with armrest - height adjustable, lumbar adjustment
- passenger bench seat with mobile office and underseat storage



**download the PDF (6 MB)
of the trims and equipment**

06. customisation

upholstery



**kompo fabric
upholstery**

hubcaps and wheel rims



**16" siras with large
wheel stylers**

configure and order →

06. customisation

accessories



roof rack, walkway and a ladder

Fit your Renault Traffic Van with an aluminium roof rack that can carry loads of nearly 150 kg. Add a walkway and a ladder and it will become a must-have for all your journeys.



standard towbar

Opt for a standard towbar on your Renault Traffic Van. Delivered without a ball joint, you can choose from our comprehensive range of ball joints and adapt it to meet your needs.



side steps

Facilitates entry to and exit from the vehicle. Facilitates the handling of cargo on the roof. Essential style-statement accessory emphasising the vehicle's style.



3 Pin charging cable



Traffic rubber floor mats

Keep your vehicle's passenger compartment clean day after day, construction after construction, delivery after delivery. Go for these ultra-resistant floor mats that are easy to install and clean.

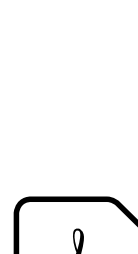
STANDARD			
Wall & side thickness	5.5mm	Small van	30kg
Floor & arch thickness	9mm	Medium van	50kg
Core type	Hard	Large van	75.6kg
Trim type	Aluminium		
Durability rating	★★★★★		
Waterproof	No		

BUBBLECORE LIGHTWEIGHT LINING			
Wall & side thickness	4mm	Small van	15.3kg
Floor & arch thickness	10mm	Medium van	25kg
Core type	Polypropylene	Large van	37.8kg
Trim type	Premium aluminium		
Durability rating	★★★★★		
Waterproof	Yes		

PREMIUM - PLY SIDES & UPGRADED FLOOR			
Wall & side thickness	5.5mm	Water-resistant	Yes
Floor & arch thickness	9mm	Small van	31.4kg
Core type	Hard	Medium van	51.4kg
Trim type	Aluminium	Large van	76.7kg
Durability rating	★★★★★		
Floor type	Anti-Slip Phenolic Resin Plywood Floor		

ply lining

Choose our Ply Lining to increase the practicality of your new Van. Available in Standard, Premium + Bubblecore. For fitment at our Import Centre.



download the PDF (6 MB) of the accessories brochure

configure and order →

06. customisation

E-Tech engine

battery type (kWh)

52kWh lithium-ion battery without cooling system

max. power

90 kW (120 hp)

WLTP driving range (km)*

up to 183 miles

0-62m/hr (s)

8.4

tyre/wheel size

as standard: 215/65 R16 option: 215/60 R17

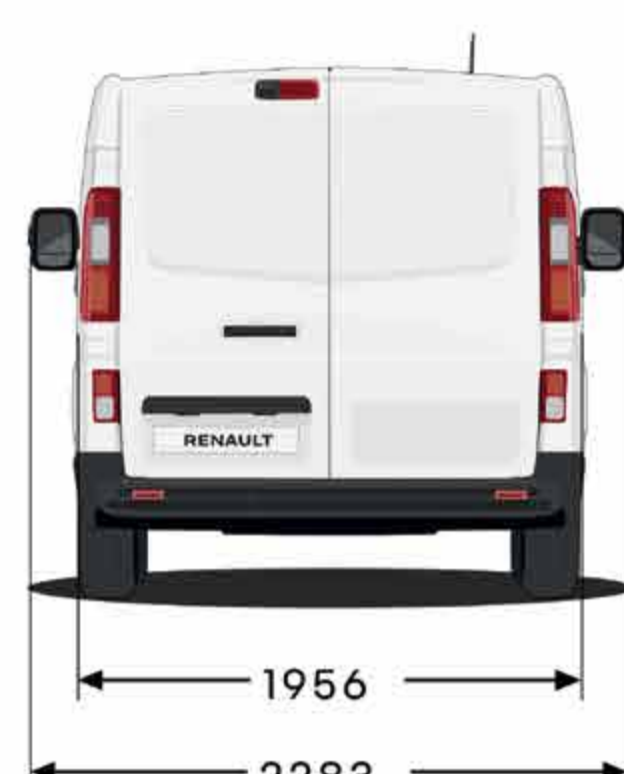
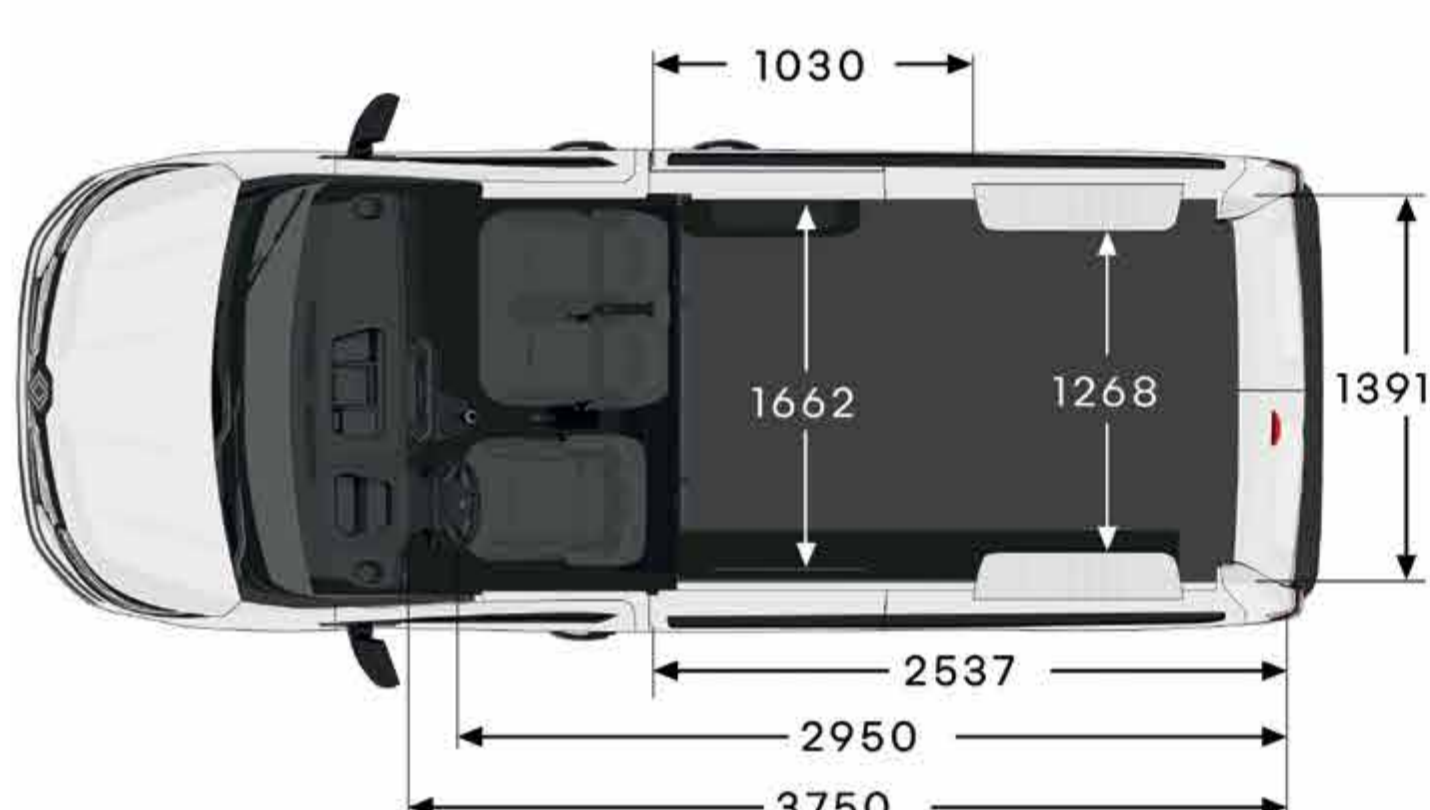
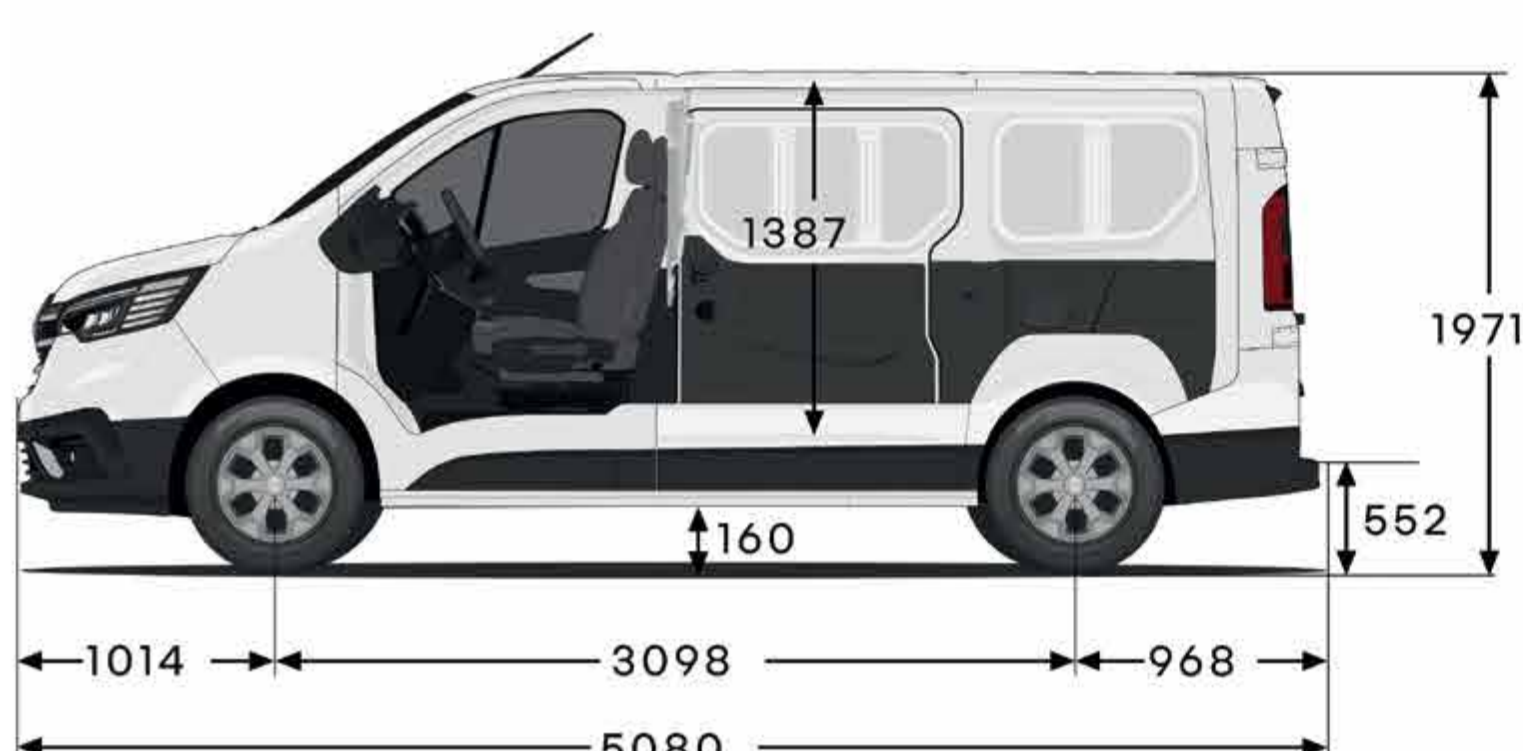
*WLTP (Worldwide Harmonized Light Vehicle Test Procedures): this new protocol provides results much closer to those found in daily use compared with the NEDC protocol.



**download the PDF (6MB)
of the engines**

dimensions and volumes

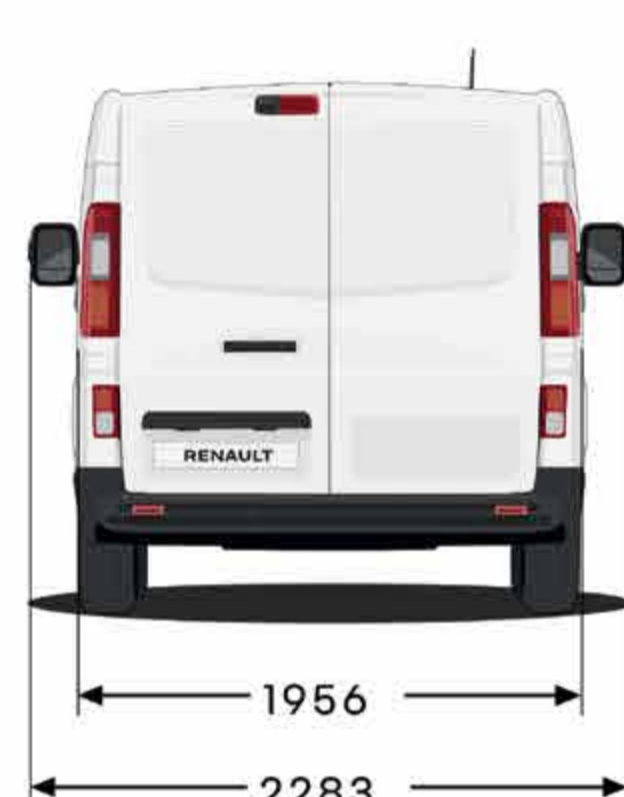
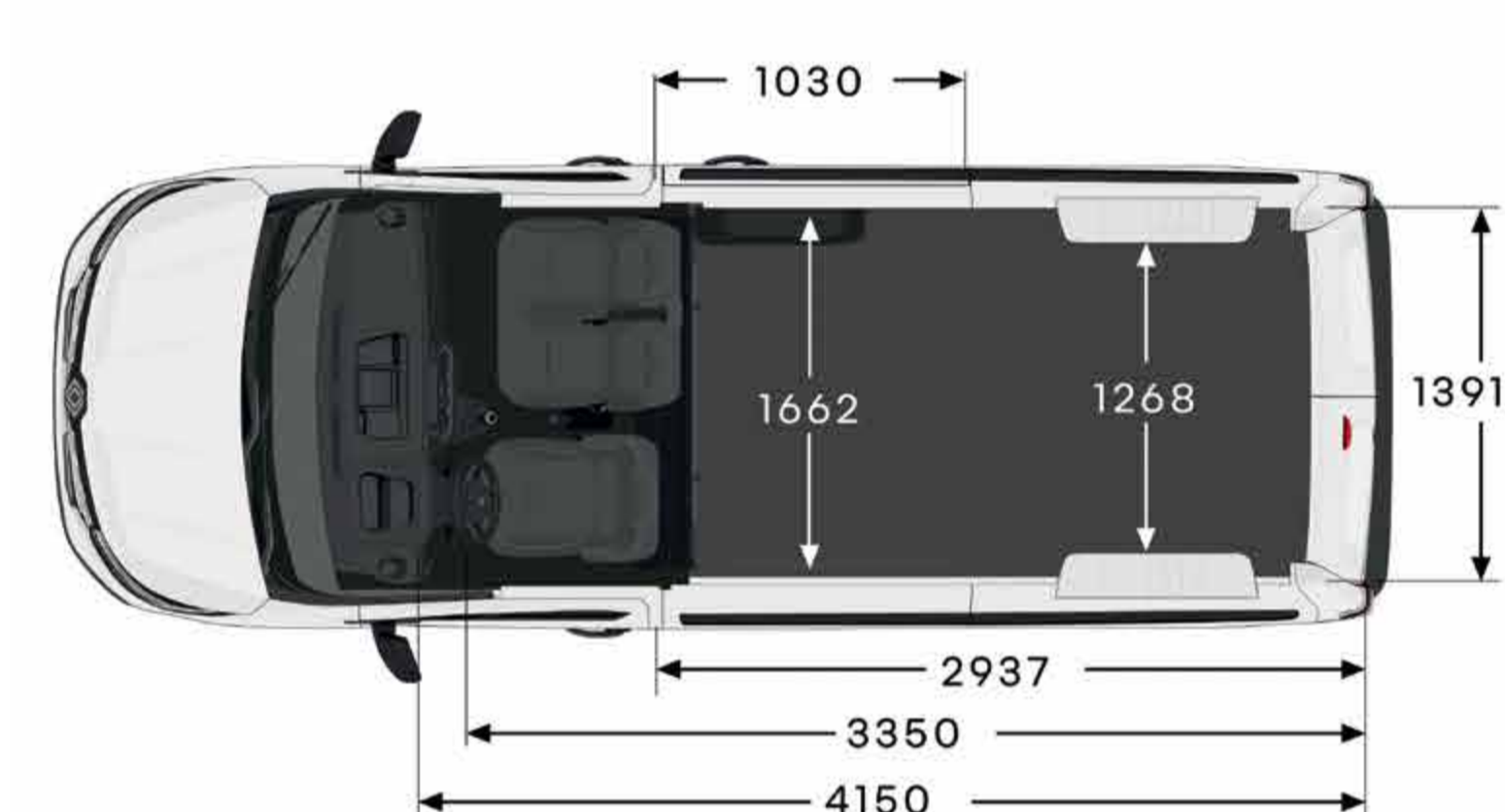
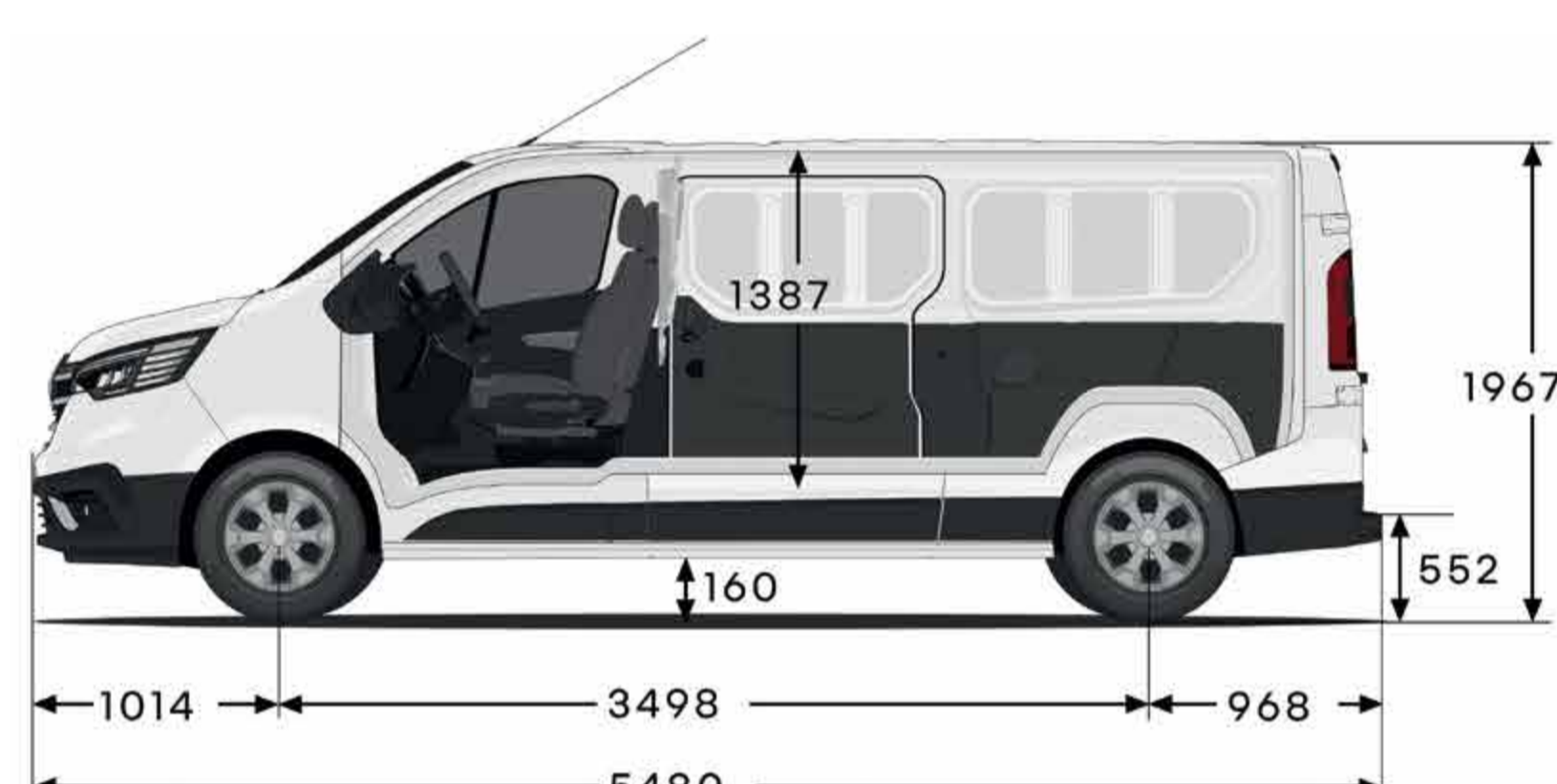
L1H1 van



loading area

load volume (dm ³)	5.8
load length with load-through bulkhead maximum loading width headroom (mm)	1,320
sliding side door entry height (mm)	1,284
gross vehicle weight (kg)	2900-3010
kerb weight (kg)	1889-1930
max payload (kg)	1222

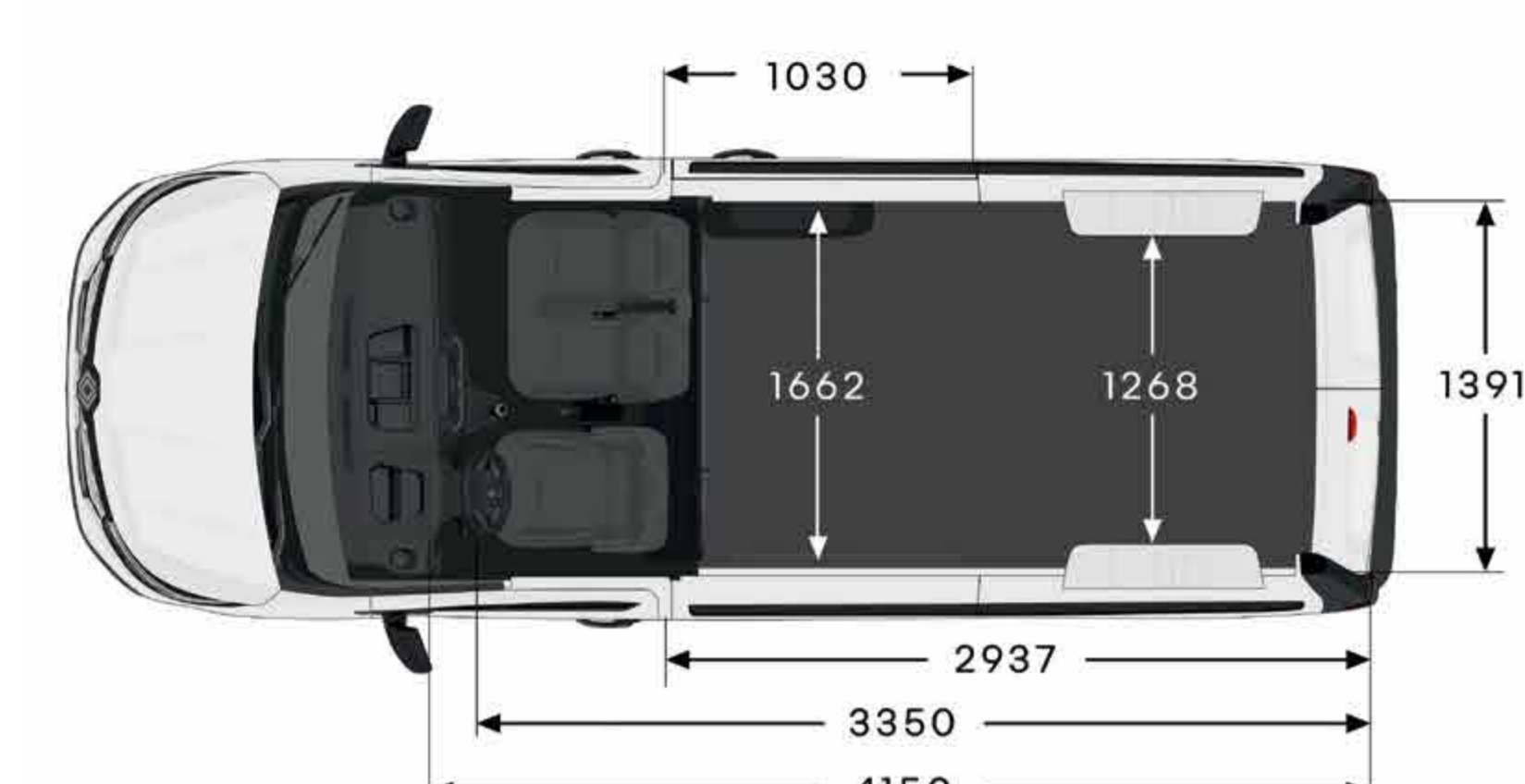
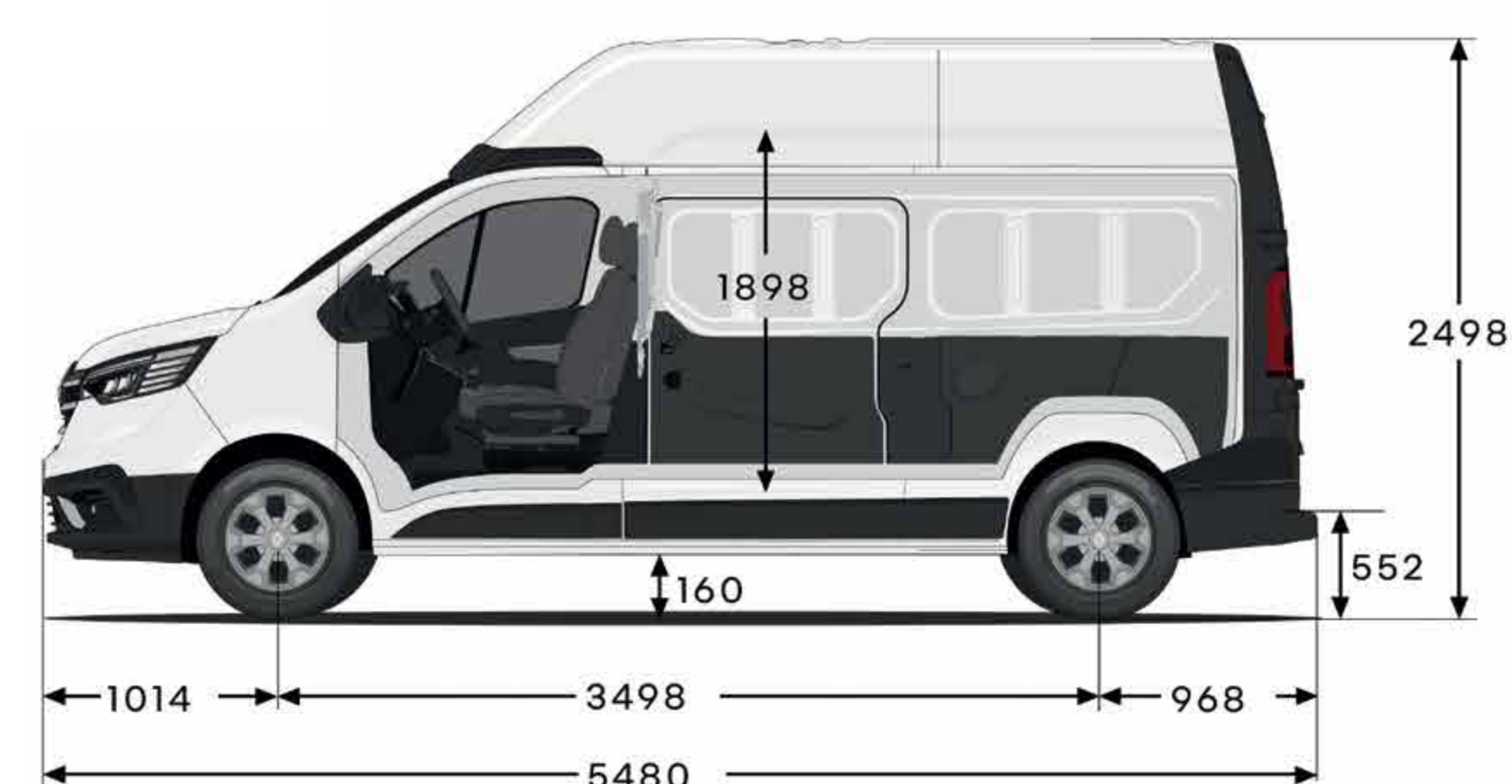
L2H1 van



loading area

load volume (dm ³)	7.8
load length with load-through bulkhead maximum loading width headroom (mm)	1,320
sliding side door entry height (mm)	1,284
gross vehicle weight (kg)	3070
kerb weight (kg)	1925-1967
max payload (kg)	1103-1145

L2H2 van



loading area

load volume (dm ³)	8.9
load length (with load through at footwell) (mm)	4,150
load with	1,662

*depending on version.
dimensions (in mm).

configure and order →

the human first program is a comprehensive safety programme developed by Renault in cooperation with researchers, experts and firefighters.

as road safety concerns all road users, whether pedestrians, cyclists or motorists, the human first program by Renault aims to:

1. prevent accidents by developing safety equipment and advanced driver-assistance and safety systems

up to 36 advanced driver-assistance systems / more than 60 pieces of safety equipment, up to 7 airbags, child seats (Isofix), Renault Fixe4sure solution / more than 2,000 safety-related patents filed since 1970

2. manage accidents by drawing on innovations developed with firefighters

QRRescue/Fireman Access / more than 5,000 firefighters trained in the past 10 years in 17 countries around the world / approximately 600 cars donated per year for fire-service training

3. reduce the number of accidents and their severity by investing heavily in R&D

safety score/safety coach/connected services/big data/artificial intelligence systems and cybersecurity

[find out more about the human first program](#)

Renault services

3 years warranty

Your vehicle is covered by a warranty package for up to 3 years from date of first registration (unlimited mileage during the first 24 months, followed by a further 1 year limited to a total mileage of 100,000). Your Renault Dealer is able to repair or replace without charge, parts that are found to have a material or assembly defect that is recognised by Renault. The paintwork warranty runs for 3 years and the anti-corrosion warranty for 12 years.

For Warranty Terms and Conditions please visit www.renault.co.uk/warranty

3 years Renault assistance

Should you need it, we'll provide emergency roadside repairs or tow you to the nearest Renault Dealer. This service is available 24 hours a day and is provided for 36 months from the date of first registration (unlimited mileage for first 24 months, then limited to a total of 100,000 miles or 3 years, whichever comes first). Assistance is provided within the UK & Northern Ireland only at roadside, home and includes national recovery and onward travel. Assistance applies to mechanical or electrical defects which are covered by warranty.

For Renault Assistance and Terms and Conditions please visit www.renault.co.uk/assistance

LCV service plans & extended warranties

Renault's LCV Service Plans are the ultimate package to provide care free servicing for your new Renault LCV. It really is the hassle free way to take care of your Renault and benefits from;

- Inflation Proof Servicing - You know exactly what you'll pay and there are no hidden costs
- Peace of Mind - No matter where life takes you, we'll be there in over 5000 workshops across Europe
- Renault Expertise & Quality - Our highly trained technicians know your Renault inside out

The Renault LCV Service Plan contains Renault services in-line with the manufacturer's service schedule, plus comes with a complimentary vehicle safety check to ensure your Renault is in the best condition possible.

Renault LCV Extended Warranty enhancements also available. Refer to the Price Guide for more details.

service intervals

24,000 miles / 2 years

Renault Network Services

No-one is better placed than Renault to maintain, fit and repair your Renault, fast. The Renault Minute (maintenance and repair with no appointment necessary) and Renault Rapide Bodycare (bumper scuffs, dings and dents, windscreen, stone chips and interior repairs...) services deliver the highest level of repair and maintenance and offer a full year's guarantee on Original Renault Parts. And don't forget to have a look at our wide range of additional equipment and accessories!

Renault iCare

Renault iCare is an innovative Service, Maintenance & Repair product that supplies Business customers with a fully supported, managed hassle free service and maintenance package.

Renault iCare is a "Pay-As-You-Go" product that insures your vehicle is maintained by Renault technical experts when work is required.

iCare provides the following benefits:

- Full Service, Maintenance & Repair cover in the Renault Dealer Network
- Tyres can be included within the contract at an additional fixed cost
- Ancillary equipment can also be included (at an additional fixed monthly cost)
- Excludes: Damage/Neglect/Abuse/ Glass & Bulbs
- A fixed, pre agreed pence per mile rate
- No excess mileage charges at the end of the contract
- No pooled mileage administration
- Minimalise downtime

For more information and to obtain a quote based on your requirements, please speak to your local Renault Business dealer or visit www.renault.co.uk/icare

customer relations

Renault knows the value of communicating with its customers and we have established effective ways to keep in touch with you. If, after speaking to your local Renault dealership, you are not completely satisfied, please contact the Renault UK Customer Relations Team on 0344 3350000[†] (Mon-Fri 8.00am to 6.00pm, Closed on Bank Holidays. Live Chat Mon-Fri 8.00am to 9.00pm). You can also visit our website www.renault.co.uk or write to us at: Renault UK Ltd, The Rivers Office Park, Denham Way, Maple Cross, Rickmansworth, Hertfordshire, WD3 9YS.

finance options*

There are a wide variety of ways in which the purchase of a new vehicle can be financed. Renault Finance offers all of them, so whether you're a fleet buyer or private buyer, Renault Finance is ideally placed to tell you which plan or combination of plans best suits your needs and circumstances.

For servicing plan terms and conditions visit www.renault.co.uk/serviceplan

*Finance provided by Renault Finance, P.O. Box 149, Watford, WD17 1FJ. Guarantees and indemnities may be required. You must be at least 18 and a UK resident (excludes Isle of Man and Channel Islands) to apply. Subject to status, terms and conditions apply. [†]Calls to 0330 numbers are free if used as part of your inclusive mobile minutes and are charged at local rates from landlines. Renault UK Limited (company number 82932), registered at The Rivers Office Park, Denham Way, Maple Cross, Rickmansworth, Hertfordshire, WD3 9YS.



Every precaution has been taken to ensure that the contents of this brochure were accurate and up-to-date at the time of its release. This document was created using pre-production models and prototypes. In line with its policy of continuous product improvement, Renault reserves the right to modify the specifications, vehicles and accessories described and featured at any time. Any such modifications are communicated to Renault dealers as quickly as possible. Depending on the country of sale, versions may differ and some equipment may be unavailable (standard, optional or accessory). Please contact your local dealer for the latest information. For reasons to do with the medium, the colours featured in this document may differ slightly from those of the actual paintwork or interior trim. All rights reserved. Reproduction in any format and by any means of all or part of this brochure is prohibited without prior written authorisation from Renault.

Publicis – photo credits: M. Hanisch, S Staub, © Renault Marketing 3D-Commerce – December 2025.
Renault s.a.s., a *société par actions simplifiée* (French simplified joint-stock company) with a share capital of €533,941,113 and head office at 122-122 bis avenue du Général Leclerc – 92100 Boulogne-Billancourt cedex – R.C.S. Nanterre B 780 129 987 / Tel.: 0806 00 20 20.

Renault Pro+

business.renault.co.uk



[configure and order →](#)